




Tub and Shower

TRIM ONLY for Single shower Unit Requires separate order of R10000-UNWS Rough-in

Model No: T13H153-25

COMPLIES WITH:

- ASME A112.18.1 / CSA B125.1
- Pressure Balance Valve ASSE 1016
-  Indicates compliance to ICC/ANSI A117.1
- Pressure Balance lever handle ADA compliant to ICC/ANSI A117.1/ADA
- Handshower backflow protection provided by two integral certified check valves in series, which operate independently, ASME A112.18.3\n Handshower ADA compliant to ICC/ANSI A117.1/ADA\n
- (Contact Delta Representative for State and/or Local Approvals)



NOTES:

T13H2 - MultiChoice™ Universal Pressure Balancing - Shower Valve & Diverter Spout

T13H3 - MultiChoice™ Universal Pressure Balancing - Shower Valve & Diverter Valve

SPECIFICATION:

- Polished chrome plated finish - Pressure Balance cartridge - Temperature only controlled with handle - Field adjustable to limit handle rotation into hot water zone
- Integral checks in the cartridge prevent crossflow between Hot and Cold water inlets.
- Cartridge rated minimum 1.2 gpm @ 45 psi (4.5 L/min @ 310 kPa).
- Non-Removable Blue/Red visual cover indicator for Cold, Mixing and Hot handle positions
- Handle#: 3 - Lever Blade Handle - ADA compliant-57 mm (2.24")
- Optional 1753 mm (69") Long CP Stainless Steel Hose Stretches to 92" (2337 mm)
- #5 Shower - Handshower with standard 24" (610mm) Stainless Steel Slide Bar
- #5 Shower MAX: 1.5 GPM @ 80 PSI (5.7 L/min @ 552 kPa)
- #5 Shower MIN: 1.13 GPM @ 45 PSI (4.3 L/min @ 310 kPa)
- Optional 914mm(36") stainless steel slide bar to replace standard bar

OPERATION:

- **NOTE FOR SHOWER #6: Not for use as anti-ligature device.**
- PAUSE WARNING – FOR #5 Shower (handshower) and OPTIONAL Handshower #2

Plumbing Codes require that showerheads and handshowers provide a small but continuous flow of water (trickle) when in "PAUSE" mode. Because of this continuous flow, in certain circumstances pressure variations in the water line and/or changes in the position of the shower temperature control handle while in "PAUSE" mode could result in dramatic changes to the temperature of the water when the shower head or hand shower is returned to the "ON" position.

ALWAYS point the shower head away from yourself when returning to the "ON" position and feel the water with your hand before resuming your shower to ensure the water flow is not too hot or too cold.

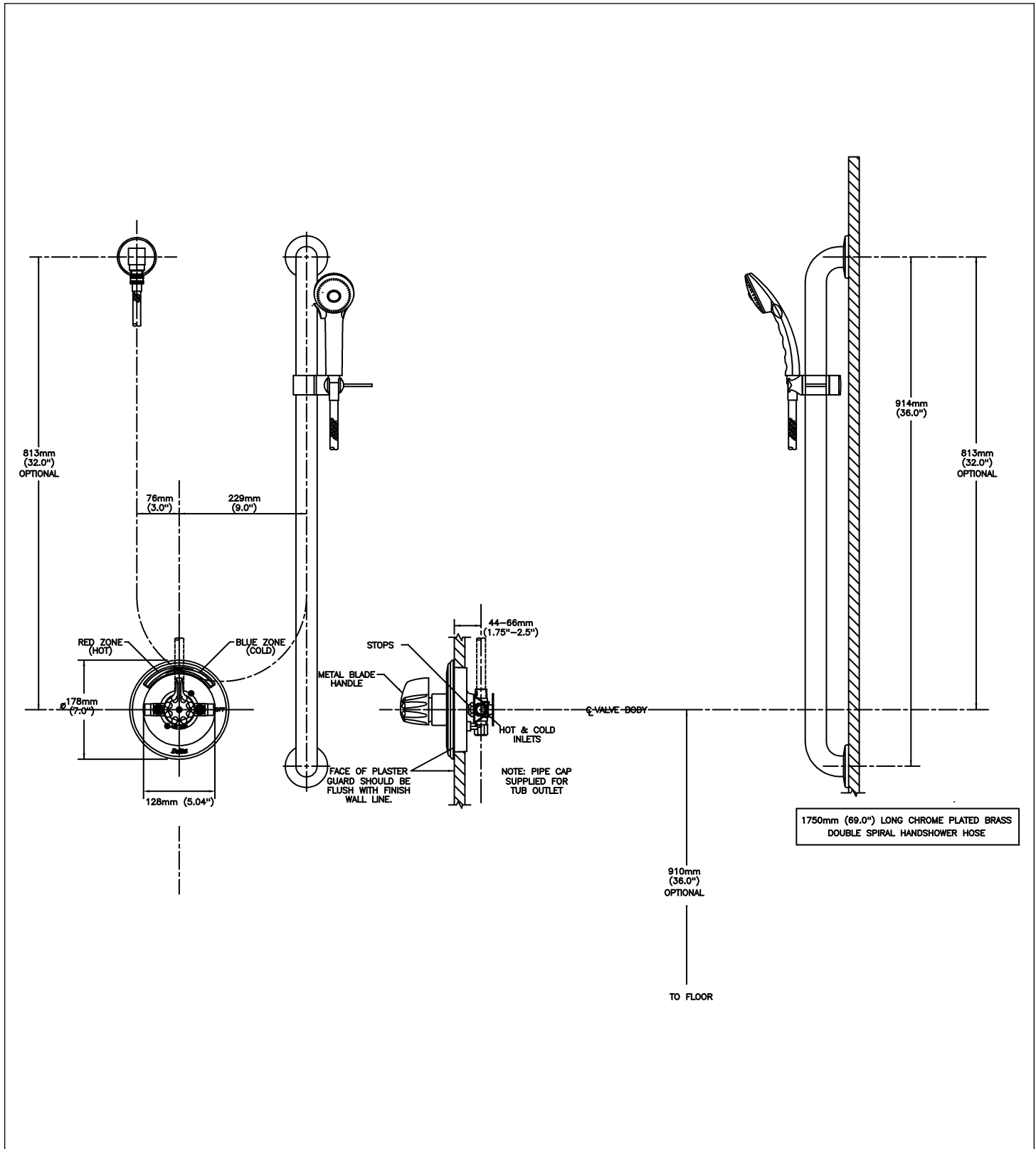
DO NOT allow children or others who might not understand this warning to use the "PAUSE" function.

(Dimensional drawing on following page)

Delta reserves the right (1) to make changes to specifications and materials, and (2) to change or discontinue models, both without notice or obligation. Dimensions are for reference. Measurement may vary plus or minus 6mm(0.25"). Mounting locations are suggested only. Check with local codes for requirements in your area. This spec was produced June 18, 2021.

Delta Faucet Company - 55 East 111th St. - Indianapolis, Indiana, USA 46280 - (317) 848-1812
Delta Faucet Canada - 395 Matheson Blvd E - Mississauga, Ontario, Canada L4Z 2H2 - (905) 712-3030

Model No: T13H153-25



Delta reserves the right (1) to make changes to specifications and materials, and (2) to change or discontinue models, both without notice or obligation. Dimensions are for reference. Measurement may vary plus or minus 6mm(0.25"). Mounting locations are suggested only. Check with local codes for requirements in your area. This spec was produced June 18, 2021.

Delta Faucet Company - 55 East 111th St. - Indianapolis, Indiana, USA 46280 - (317) 848-1812
 Delta Faucet Canada - 395 Matheson Blvd E - Mississauga, Ontario, Canada L4Z 2H2 - (905) 712-3030