

WALL BAR HAND HELD SHOWERS

- Wall grab bar with ada adjustable slide (handshower not included)

Submitted Model No.: _____

Specific Features: _____

STANDARD SPECIFICATIONS:

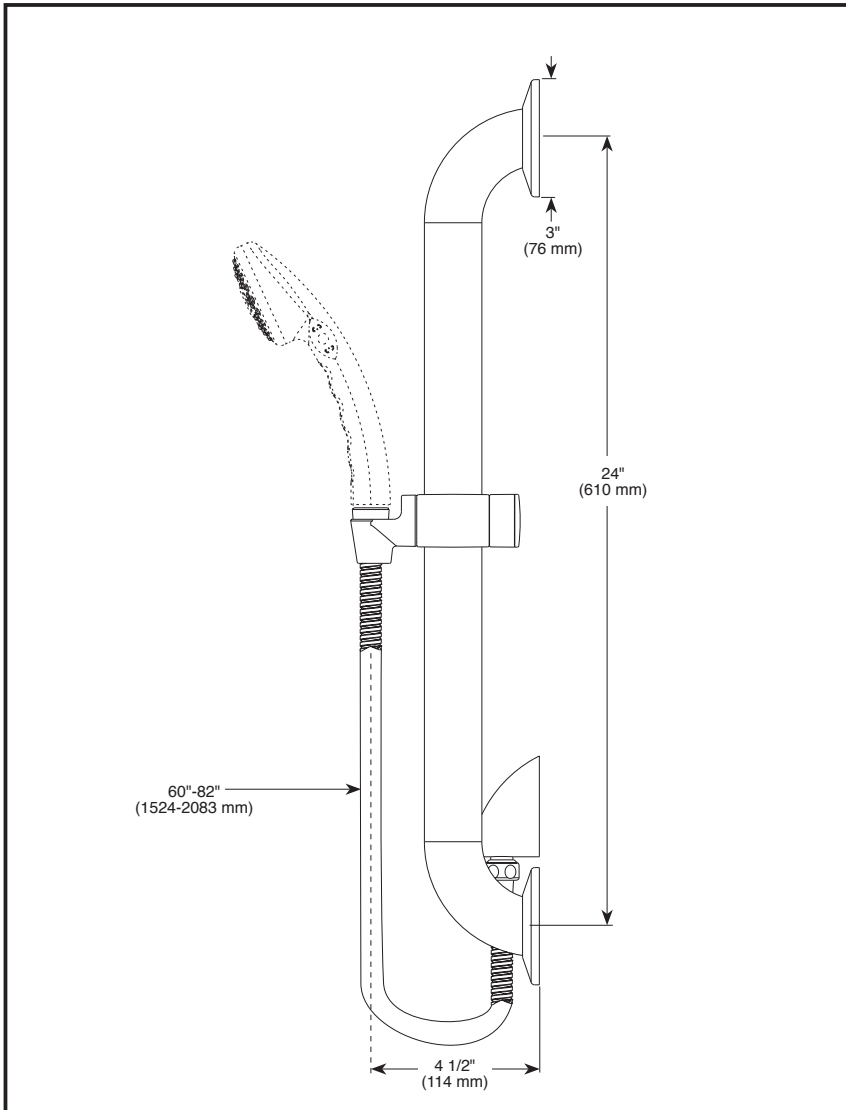
- 60" - 82" stretchable metal hose.
- 24" wall bar with adjustable slide.
- ADA grab bar with adjustable side.

WARRANTY

- Lifetime limited warranty on parts (other than electronic parts and batteries) and finishes: or, for commercial users, for 5 years from date of purchase.
- 5 year limited warranty on electronic parts (other than batteries); or, for commercial users, for 1 year from the date of purchase. No warranty is provided on batteries.

COMPLIES WITH:

- ASME A112.18.1/CSA B125.1



▲ Designate proper finish suffix



55 E. 111th Street, Indianapolis, Indiana 46280
350 South Edgeware Road, St. Thomas, ON N5P 4L1
© 2016 Masco Corporation of Indiana

Delta reserves the right (1) to make changes in specifications and materials, and (2) to change or discontinue models, both without notice or obligation. Dimensions are for reference only. See current full-line price book or www.deltafaucet.com for finish options and product availability.