



Electronic Flush Valves & Retrofit Kits

Electronic Exposed Flush Valve for Washdown Urinals
- without vacuum breaker - Battery Operated

Model No: DEMD-86505

COMPLIES WITH:

- IAPMO listed to ASSE 1037/ASME A112.1037/CSA B125.37
- ADA Compliant to meet Handicapped Accessibility Standard ICC/ ANSI A117.1 of less than 5 lbs. operating force.
- (Contact Delta Representative for State and/or Local Approvals)



NOTES:

WARNING: This model must be installed on fixtures providing sufficient air gap protection against backflow.

SPECIFICATION:

- INLETS - 1/2" FIP/Copper
- Exposed infrared electronic valve for 3/4" IP spud washdown urinals
- Solid brass construction
- 1/2" universal FIP/copper sweat inlet adaptor supplied
- Union inlet stop, inlet cover tube, brass wall flange with set screw
- Outlet tube with spud flange and coupling nut
- WARNING: This model must be installed on fixtures providing sufficient air gap protection against backflow.
- Chrome Finish

OPERATION:

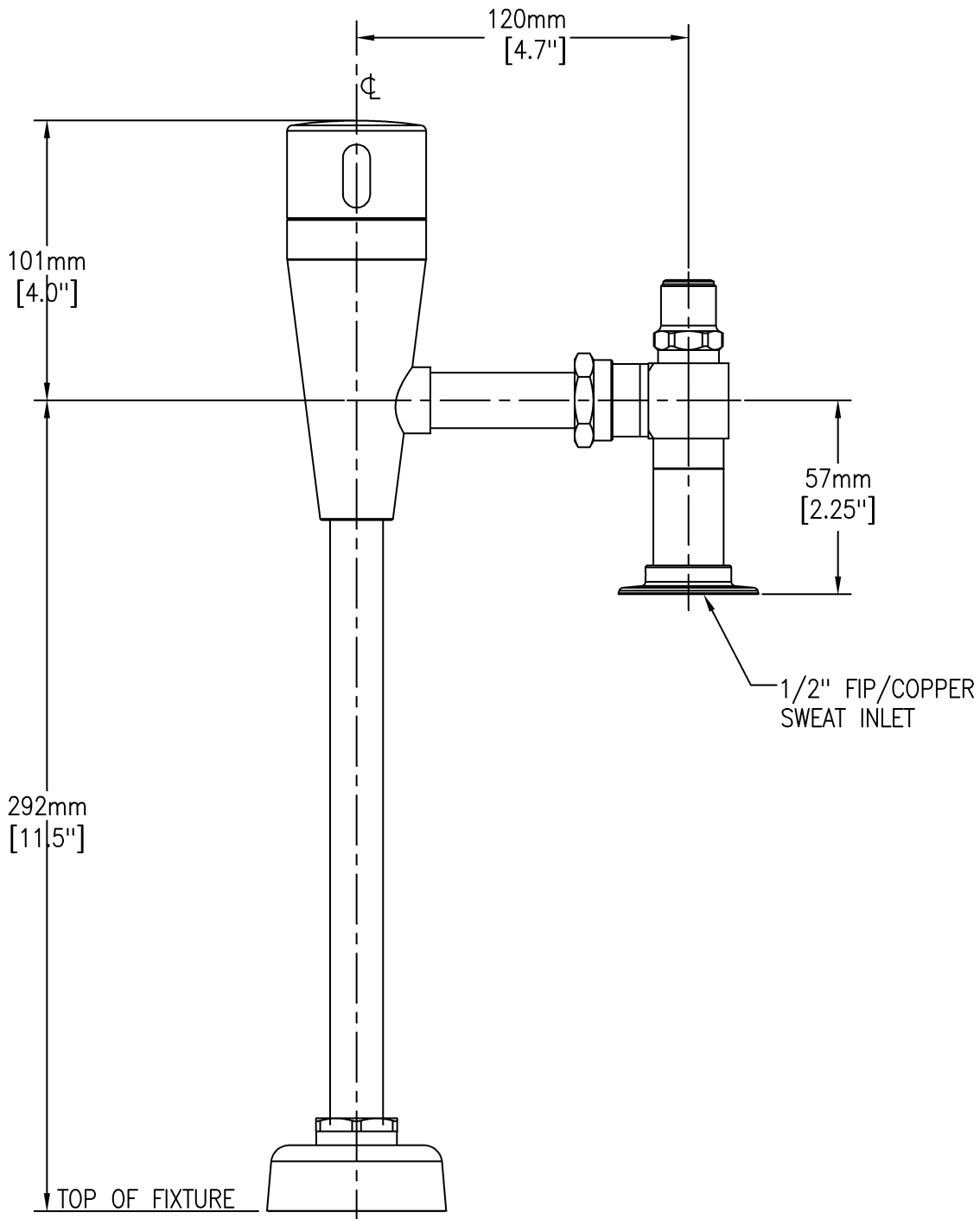
- Internally mounted 9V battery (supplied)
- Low battery level indicator (constant blinking of red light when user in range)
- 24-hour flush, factory set off
- Sensing range factory set at 20" (508 mm)
- Range field adjustable from 12" to 23" (305-584 mm) (manually or with Optional Remote Control # 060967A)
- Washdown volumes factory set at 0.5 GPF (1.9 litres per flush)
- Volume field adjustable from 0.125 to 1.0 gpf (0.5 to 3.8 litres per flush)
ONLY WITH THE OPTIONAL REMOTE CONTROL # 060967A

(Dimensional drawing on following page)

Delta reserves the right (1) to make changes to specifications and materials, and (2) to change or discontinue models, both without notice or obligation. Dimensions are for reference. Measurement may vary plus or minus 6mm(0.25"). Mounting locations are suggested only. Check with local codes for requirements in your area. This spec was produced April 14, 2021.

Delta Faucet Company - 55 East 111th St. - Indianapolis, Indiana, USA 46280 - (317) 848-1812
Delta Faucet Canada - 395 Matheson Blvd E - Mississauga, Ontario, Canada L4Z 2H2 - (905) 712-3030

Model No: DEMD-86505



Delta reserves the right (1) to make changes to specifications and materials, and (2) to change or discontinue models, both without notice or obligation. Dimensions are for reference. Measurement may vary plus or minus 6mm(0.25"). Mounting locations are suggested only. Check with local codes for requirements in your area. This spec was produced April 14, 2021.

Delta Faucet Company - 55 East 111th St. - Indianapolis, Indiana, USA 46280 - (317) 848-1812
Delta Faucet Canada - 395 Matheson Blvd E - Mississauga, Ontario, Canada L4Z 2H2 - (905) 712-3030