



Metering Faucets

Single hole mount push button metering faucet with 0.5 gpm (1.9 L/min) outlet.

Model No: 87T110

COMPLIES WITH:

- CSA certified.
- Complies to ASME Standard A112.18.1/CSA B125.1.
- Verified compliant with 0.25% weighted average Pb content regulations
- (Contact Delta Representative for State and/or Local Approvals)



SPECIFICATION:

- Heavy Duty Cast Brass single hole mount faucet
- Polished chrome plate finish
- Mixing tee and inlet checks
- Vandal resistant brass PUSH button handle activator
- Delta® metering slow close cartridge
- Two body mounted stainless steel anti-rotation locking pins
- Vandal resistant spout outlet
- Total Flow NOT to exceed 0.25 gallons per handle activation
- 0.5 gpm (1.9 L/min)

OPERATION:

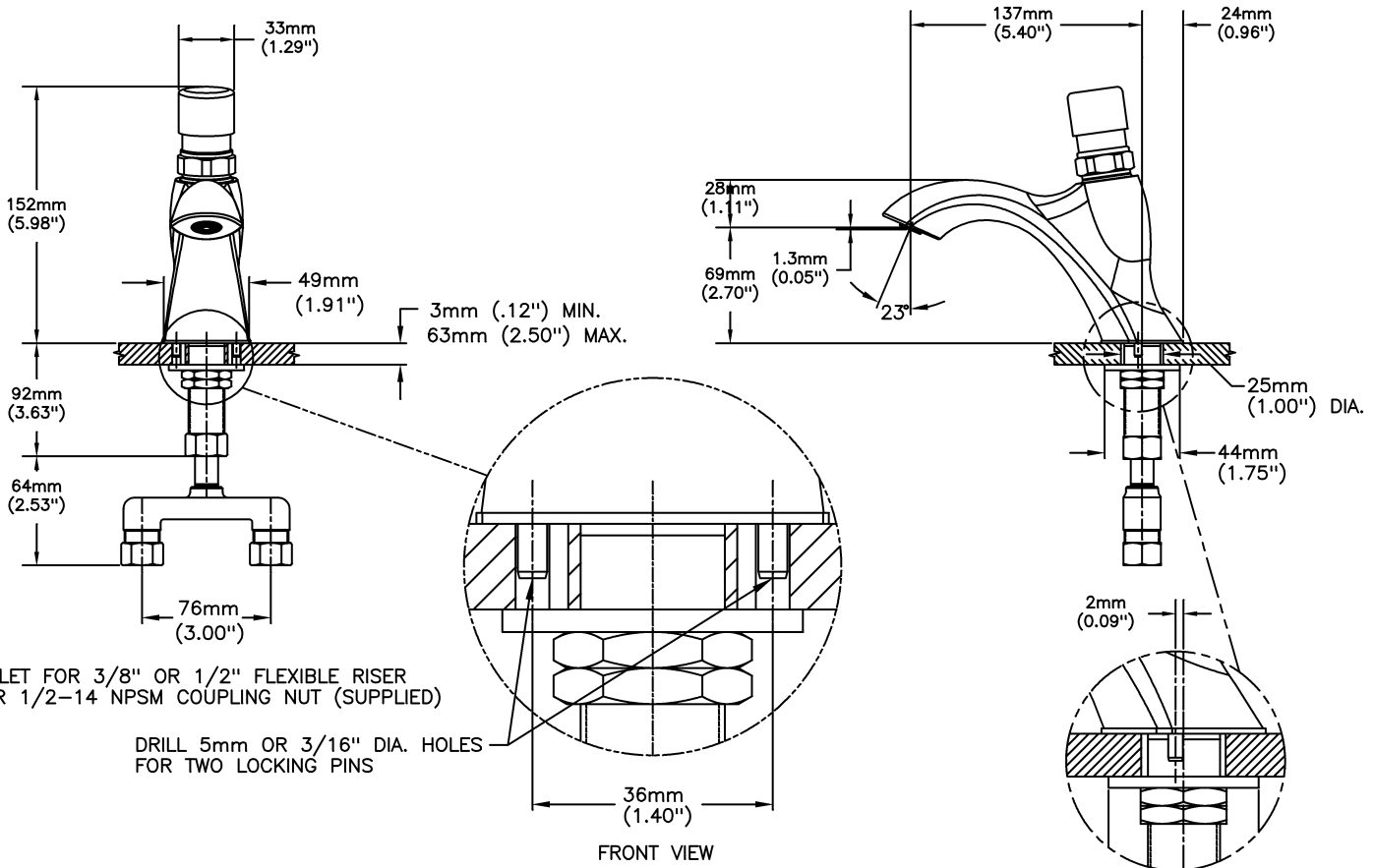
- Not Available

(Dimensional drawing on following page)

Delta reserves the right (1) to make changes to specifications and materials, and (2) to change or discontinue models, both without notice or obligation. Dimensions are for reference. Measurement may vary plus or minus 6mm(0.25"). Mounting locations are suggested only. Check with local codes for requirements in your area. This spec was produced April 15, 2021.

Delta Faucet Company - 55 East 111th St. - Indianapolis, Indiana, USA 46280 - (317) 848-1812
Delta Faucet Canada - 395 Matheson Blvd E - Mississauga, Ontario, Canada L4Z 2H2 - (905) 712-3030

Model No: 87T110



Delta reserves the right (1) to make changes to specifications and materials, and (2) to change or discontinue models, both without notice or obligation. Dimensions are for reference. Measurement may vary plus or minus 6mm(0.25"). Mounting locations are suggested only. Check with local codes for requirements in your area. This spec was produced April 15, 2021.

Delta Faucet Company - 55 East 111th St. - Indianapolis, Indiana, USA 46280 - (317) 848-1812
 Delta Faucet Canada - 395 Matheson Blvd E - Mississauga, Ontario, Canada L4Z 2H2 - (905) 712-3030