



## Metering Faucets

4" cast metering centerset with OPEN GRID  
STRAINER with no pop-up hole  
ADA compliant tip action lever handles 0.35 gpm (1.32  
L/min) vandal resistant outlet

## Model No: 86T1093

### COMPLIES WITH:

- CSA certified
- Complies to ASME A112.18.1/CSA B125.1
- Indicates compliance to ICC/ANSI A117.1
- Verified compliant with 0.25% weighted average Pb content regulations
- (Contact Delta Representative for State and/or Local Approvals)



### SPECIFICATION:

- Heavy duty 4" cast mixing metering centerset
- No pop-up hole
- Two handle
- Vandal resistant colour coded tip action lever handles
- Vandal resistant handle actuator and spout outlet
- Total flow not to exceed 0.25 gallons per handle activation
- Polished chrome plate finish
- Delta® slow close cartridge
- Note: Run time affected by water pressure and temperature
- Use of Check Valves or check stops recommended to prevent possible cross-flow
- WITH Open Grid Strainer
- Vandal resistant 0.35GPM (1.32L/min) flow control non-aerating spray outlet

### OPERATION:

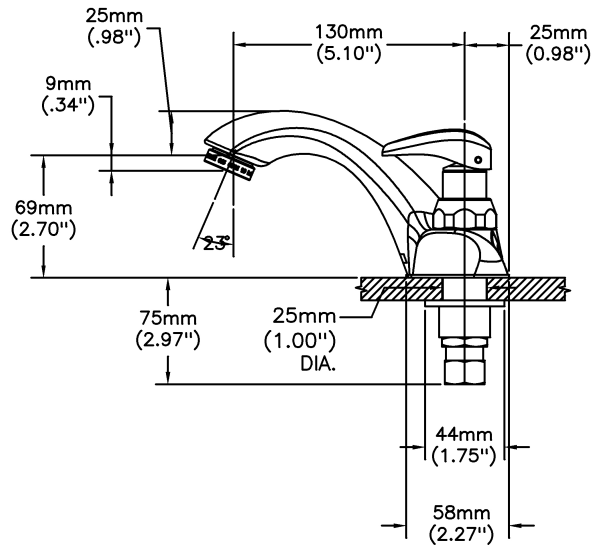
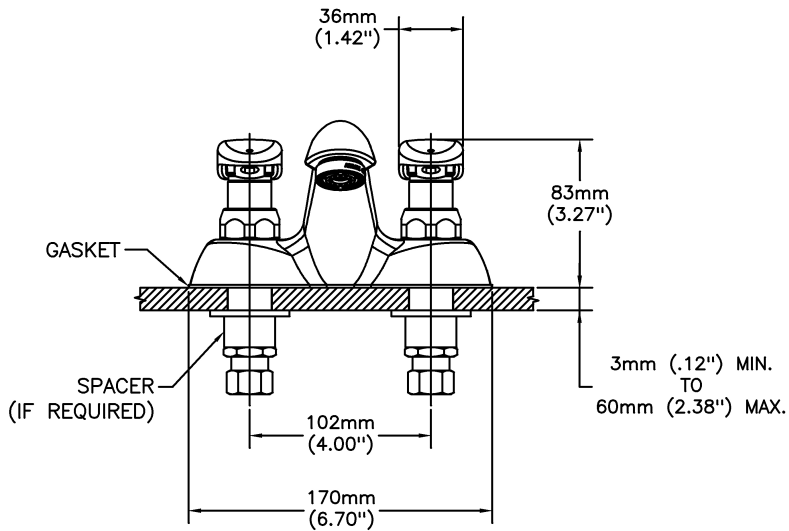
- Not Available

***(Dimensional drawing on following page)***

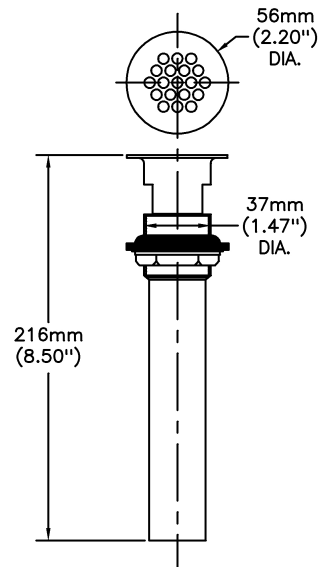
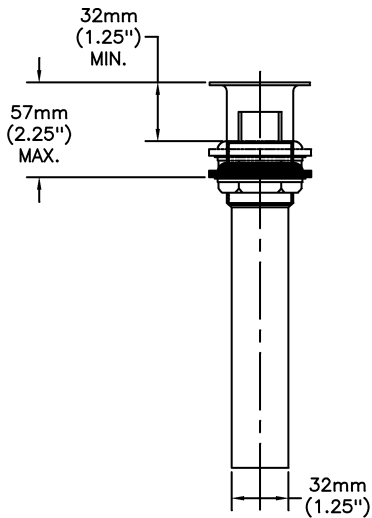
Delta reserves the right (1) to make changes to specifications and materials, and (2) to change or discontinue models, both without notice or obligation. Dimensions are for reference. Measurement may vary plus or minus 6mm(0.25"). Mounting locations are suggested only. Check with local codes for requirements in your area. This spec was produced July 13, 2021.

Delta Faucet Company - 55 East 111th St. - Indianapolis, Indiana, USA 46280 - (317) 848-1812  
Delta Faucet Canada - 395 Matheson Blvd E - Mississauga, Ontario, Canada L4Z 2H2 - (905) 712-3030

Model No: 86T1093



INLET FOR 3/8" 1/2" FLEXIBLE RISER OR 1/2-14 NPSM COUPLING NUT (SUPPLIED)



Delta reserves the right (1) to make changes to specifications and materials, and (2) to change or discontinue models, both without notice or obligation. Dimensions are for reference. Measurement may vary plus or minus 6mm(0.25"). Mounting locations are suggested only. Check with local codes for requirements in your area. This spec was produced July 13, 2021.

Delta Faucet Company - 55 East 111th St. - Indianapolis, Indiana, USA 46280 - (317) 848-1812  
 Delta Faucet Canada - 395 Matheson Blvd E - Mississauga, Ontario, Canada L4Z 2H2 - (905) 712-3030