

# 860T and 861T Push Button Electronic Shower

**TECK**<sup>®</sup>  
COMMERCIAL

**DELTA**<sup>®</sup>

## SPECIFICATION: (EXAMPLE)

- Push button electronic shower system
- **Hardwire** – 24 VAC to 6 VDC or **Battery** – 4 “AA” 6 VDC
- Stainless steel cover with S/S vandal resistant mounting screws
- Metal mounting box
- Field adjustable shower time
- Slow-closing solenoid valve
- Integral stop
- Tempered water supplied to solenoid valve (except control box options No. 3 and 6) and... with... (add shower required)  
with... (add control/sensor box required)  
with... (hardwire with battery backup – specify separately – see next page)  
with... (transformer – specify separately – see next page)

860T167



### Engineer/Architect Approval

Model Specified:

Approval:

Date:

## MODEL NUMBER EXAMPLE:

Configurations vary, see below for availability.

**860T168**

### Power Supply

- 0 = Hardwire operated
- 1 = Battery operated

### Shower

- 0 = No shower head
- 5 = Hand shower w/24" SS grab bar and ADA slide
- 6 = 30° VR wallmount shower head
- 7 = 30° VR forged wallmount shower head

### Control Box

- 3 = 8" Recessed box, no mixing valve
- 6 = Components only UNASSEMBLED, 4" box, no mixing valve
- 7 = 10" Recessed box, pressure balance mixing valve
- 8 = 10" Recessed box, thermostatic mixing valve

AVAILABLE MODELS	CONTROL BOX							
	3		6		7		8	
	Recess Mounted 8" Metal Control Box, Mixing Valve Required (Order separately)		Components only, Unassembled, 4" Metal Control Box Mixing Valve Required (Order separately)		Recess Mounted 10" Metal Control Box User Controlled Pressure Balance Mixing Valve		Recess Mounted 10" Metal Control Box Concealed Thermostatic Mixing Valve	
	HARDWIRE	BATTERY OPERATED	HARDWIRE	BATTERY OPERATED	HARDWIRE	BATTERY OPERATED	HARDWIRE	BATTERY OPERATED
<b>0</b> No Shower Head (Note 1)	860T103	861T103	860T106	861T106	860T107	861T107	860T108	861T108
<b>5</b> Hand Shower with 2 Check Valves, 24" SS Bar with ADA Slide 1.5 gpm (5.7 L/min)	860T153		860T156		860T157		860T158	
<b>6</b> 30° Vandal Resistant Cast Wallmount Shower Head 1.5 gpm (5.7 L/min)					860T167	861T167	860T168	
<b>7</b> 30° Vandal Resistant Forged Wallmount Shower Head 1.5 gpm (5.7 L/min)					860T177	861T177	860T178	

Refer to www.specselect.com for individual models.

Note: Use this page front and back, with specification drawing page referenced above, as product submittal sheets.

Note 1: #7 Control box pressure balance valve rated minimum 1.2 gpm @ 45 psi (4.5 L/min @ 310 kPa). #8 Control box thermostatic valve rated minimum 0.35 gpm @ 45 psi (1.3 L/min @ 310 kPa).

See DSP-SHWA and DSP-SHWB for additional shower options. Batteries included on all battery models.

Stated flow rate for shower heads @ 80 psi (552 kPa) maximum.

Delta reserves the right (1) to make changes in specifications and materials, and (2) to change or discontinue models, both without notice or obligation. Dimensions are for reference only. See current full-line price book or www.specselect.com for finish options and product availability.


**DSP-860T Rev. P**

# 860T and 861T Push Button Electronic Shower

**TECK**<sup>®</sup>  
COMMERCIAL

**DELTA**

## APPROVALS:

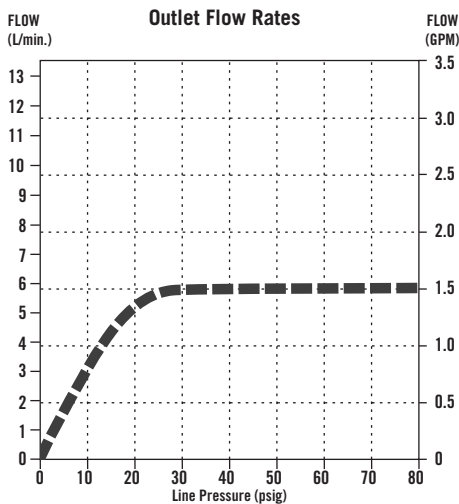
- CSA certified
- Complies to ASME A112.18.1/CSA B125.1
-  Indicates compliance to ICC/ANSI A117.1
- Control/Sensor Box Option 7, Pressure Balancing Valve, complies with ASSE 1016/ASME A112.1016/CSA B125.16
- Control/Sensor Box Option 8, Thermostatic Mixing Valve certified to CSA B.125.3. Complies with ASSE 1069 and ASSE 1070/ASME A112.1070/CSA B125.70.
- Hand shower back flow protection provided by two integral certified check valves in series, which operate independently, ASME A112.18.3

(Contact Delta Representative for State and/or Local Approvals.)

Patented



## FLOW RATE vs PRESSURE



## OPERATION:

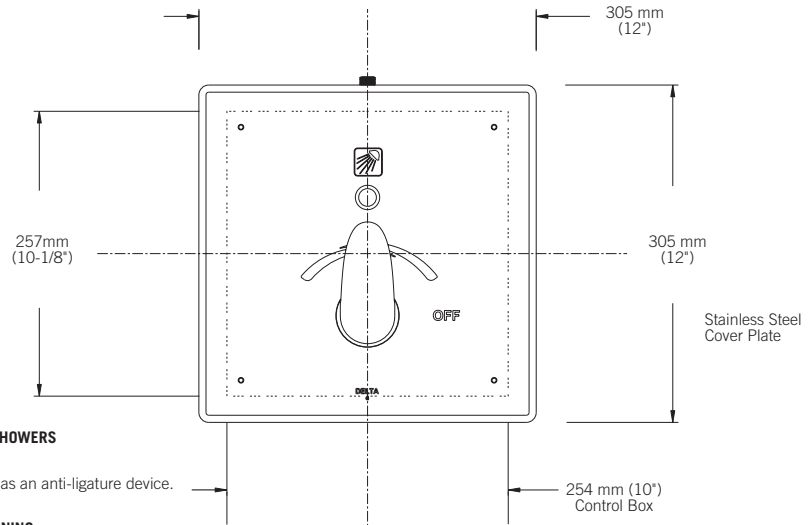
- Shower flows when push button is activated.
- Adjustable maximum continuous run time 10 minutes.
- Factory set to 3 minutes.

**NOTE:** For optimum performance of this product, we recommend a system pressure between 20 and 80 PSI static. This product will operate up to a maximum of 125 PSI static per ANSI and CSA requirements. However, we do not recommend pressures above 80 PSI. Thermal expansion or leaking pressure reducing valves may require use of expansion tanks or relief valves to ensure your system never exceeds its maximum intended pressure setting.

Note: Measurements may vary ± 6mm (0.25")

Refer to [www.specselect.com](http://www.specselect.com) for individual models.  
Product supplied as shown by solid lines. All items shown by dotted lines supplied by others.

## 860T167 TYPICAL INSTALLATION



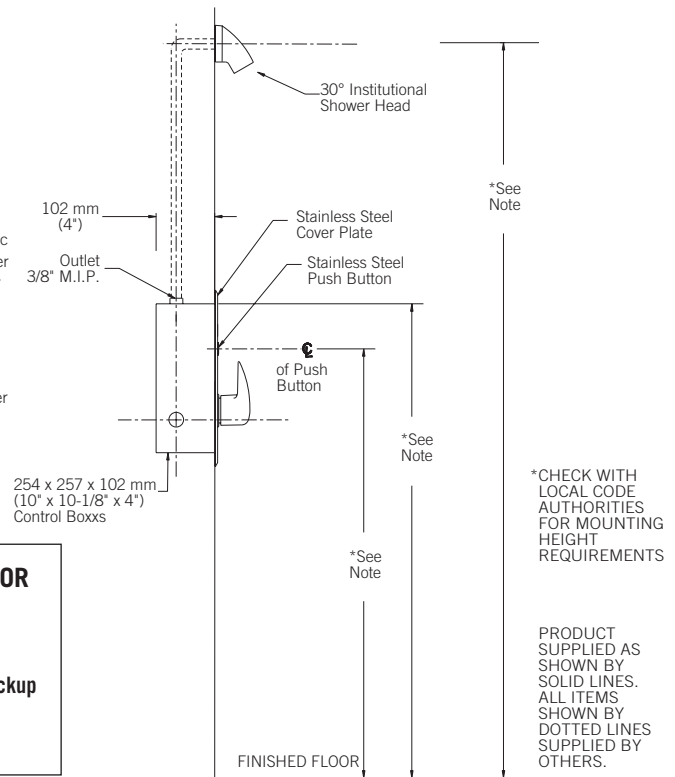
### NOTE FOR SHOWERS #6 AND #7:

Not for use as an anti-ligature device.

### PAUSE WARNING FOR SHOWER #5

Plumbing Codes require that shower heads and hand showers provide a small but continuous flow of water (trickle) when in "PAUSE" mode. Because of this continuous flow, in certain circumstances pressure variations in the water line and/or changes in the position of the shower temperature control handle while in "PAUSE" mode could result in dramatic changes to the temperature of the water when the shower head or hand shower is returned to the "ON" position.

ALWAYS point the shower head away from yourself when returning to the "ON" position and feel the water with your hand before resuming your shower to ensure the water flow is not too hot or too cold. DO NOT allow children or others who might not understand this warning to use the "PAUSE" function.



## AVAILABLE OPTIONS FOR FIELD CONVERSION

- 061047A**  
Hardwire with Battery Backup  
See DSP-BB for detailed specification.

\*CHECK WITH LOCAL CODE AUTHORITIES FOR MOUNTING HEIGHT REQUIREMENTS

PRODUCT SUPPLIED AS SHOWN BY SOLID LINES. ALL ITEMS SHOWN BY DOTTED LINES SUPPLIED BY OTHERS.

## OPTIONAL ACCESSORIES

✓	<b>TRANSFORMERS</b>
	060704A 110 to 24 VAC Class 2 20 VA (Up to 5 Electronic Valves)
	060771A 110 to 24 VAC Class 2 40 VA (Up to 10 Electronic Valves)
✓	<b>CORDS</b>
	060902A 36" Solenoid Extension Cord

# 860T and 861T Push Button Electronic Shower

**TECK**<sup>®</sup>  
COMMERCIAL

**DELTA**

## TEMPERED WATER – ASSEMBLED CONTROL BOX

### 860T AND 861T SERIES #3 CONTROL BOX

✓	PRODUCT NO.		VALVE TYPE	MOUNT TYPE	COVER
	860T1		3	Push Button Shower Valve – Hardwire	254 mm (10") Stainless Steel
	861T1		3	Push Button Shower Valve – Battery	254 mm (10") Stainless Steel

### 860T AND 861T SERIES

Battery Operated – Batteries and battery pack supplied.

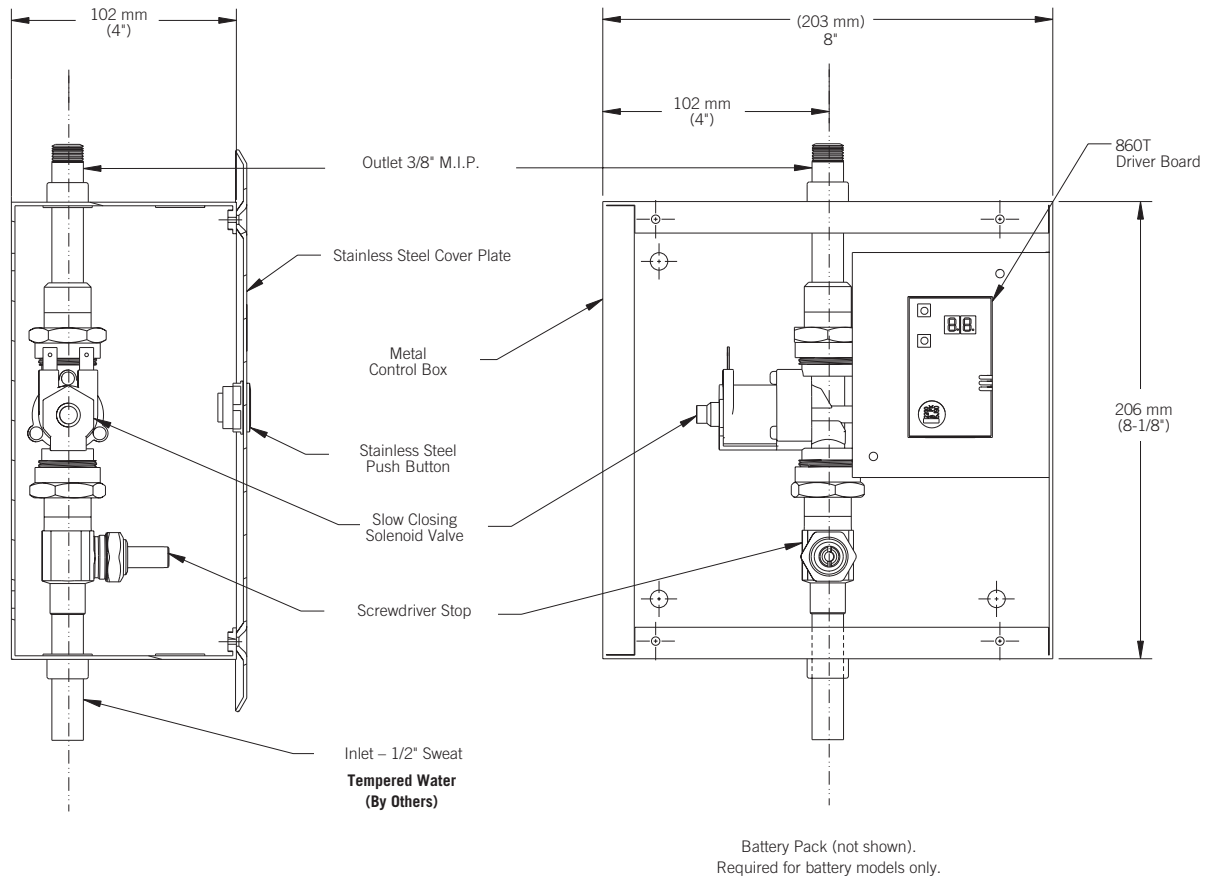
**Hardwire Version** comes complete with Watertight Connector and Hardwire Converter 24 VAC to 6.4 VDC.

**Hardwire with Battery Backup** comes complete with Watertight Connector, Hardwire Converter 24 VAC to 5 VDC and 9V battery. **See DSP-BB for detailed specification.**

### COMPENSATING VALVE NOTE:

Models with Control Box #3 selected are for use with automatic compensating valves rated at or less than the CV value shown for the different shower head selection below.

MODELS WITH CONTROL BOX #3	CV VALUE @ 45 PSI (310 kPa)
Plus Shower #5	1.28 gpm (4.8 L/min)
Plus Shower #6	1.38 gpm (5.22 L/min)
Plus Shower #7	1.36 gpm (5.15 L/min)



Note: Measurements may vary  $\pm$  6mm (0.25")

# 860T and 861T Push Button Electronic Shower

**TECK<sup>®</sup>**  
COMMERCIAL



## COMPONENTS ONLY UNASSEMBLED

### 860T AND 861T SERIES #6 CONTROL BOX

✓	PRODUCT NO.		VALVE TYPE	MOUNT TYPE	COVER
	860T1	6	Push Button Shower Valve – Hardwire	Recess Mounted	114mm (4-1/2") Stainless Steel
	861T1	6	Push Button Shower Valve – Battery	Recess Mounted	114mm (4-1/2") Stainless Steel

### 860T AND 861T SERIES

Battery Operated – Batteries and battery pack supplied.

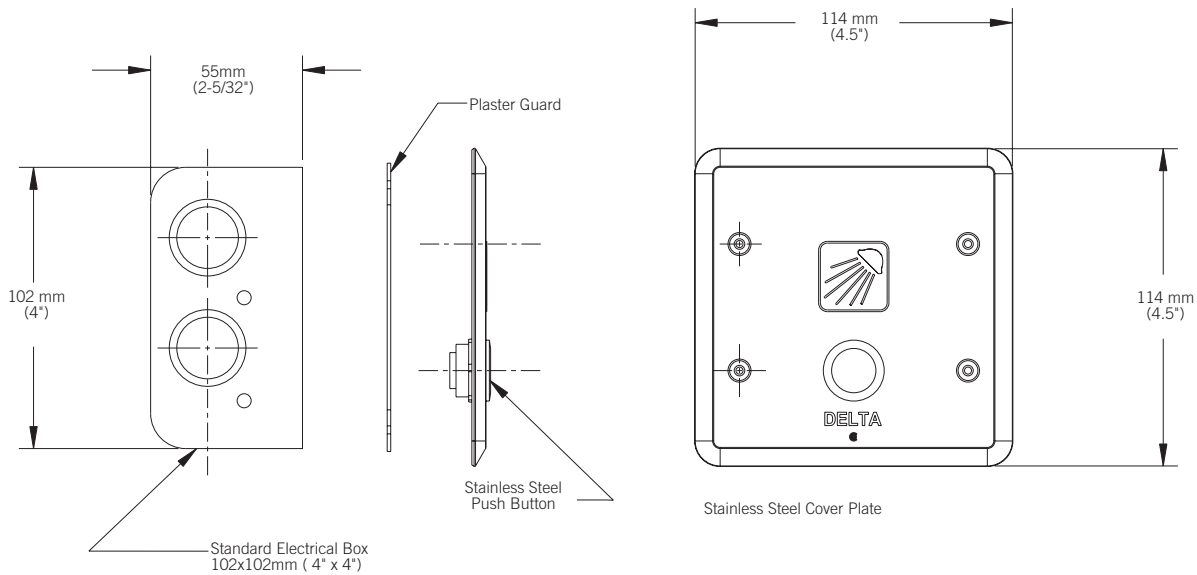
**Hardwire Version** comes complete with Watertight Connector and Hardwire Converter 24 VAC to 6.4 VDC.

**Hardwire with Battery Backup** comes complete with Watertight Connector, Hardwire Converter 24 VAC to 5 VDC and 9V battery. **See DSP-BB for detailed specification.**

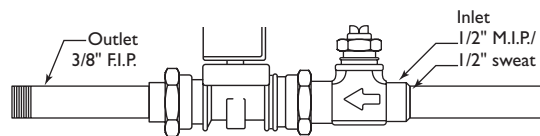
### COMPENSATING VALVE NOTE:

Models with Control Box #6 selected are for use with automatic compensating valves rated at or less than the CV value shown for the different shower head selection below.

MODELS WITH CONTROL BOX #6	CV VALUE @ 45 PSI (310 kPa)
Plus Shower #5	1.28 gpm (4.8 L/min)
Plus Shower #6	1.38 gpm (5.22 L/min)
Plus Shower #7	1.36 gpm (5.15 L/min)



Battery Pack (not shown).  
Required for battery models only.



**Slow closing solenoid valve AND Screwdriver stop**

Tempered Water  
(By Others)

Note: Measurements may vary  $\pm 6\text{mm}$  (0.25")

# 860T and 861T Push Button Electronic Shower

**TECK**<sup>®</sup>  
COMMERCIAL

**DELTA**

## PRESSURE BALANCING MIXING VALVE ASSEMBLED CONTROL BOX

### 860T AND 861T SERIES #7 CONTROL BOX

✓	PRODUCT NO.	VALVE TYPE	MOUNT TYPE	COVER
	860T1	7	Push Button Shower Valve – Hardwire	305mm (12") Stainless Steel
	861T1	7	Push Button Shower Valve – Battery	305mm (12") Stainless Steel

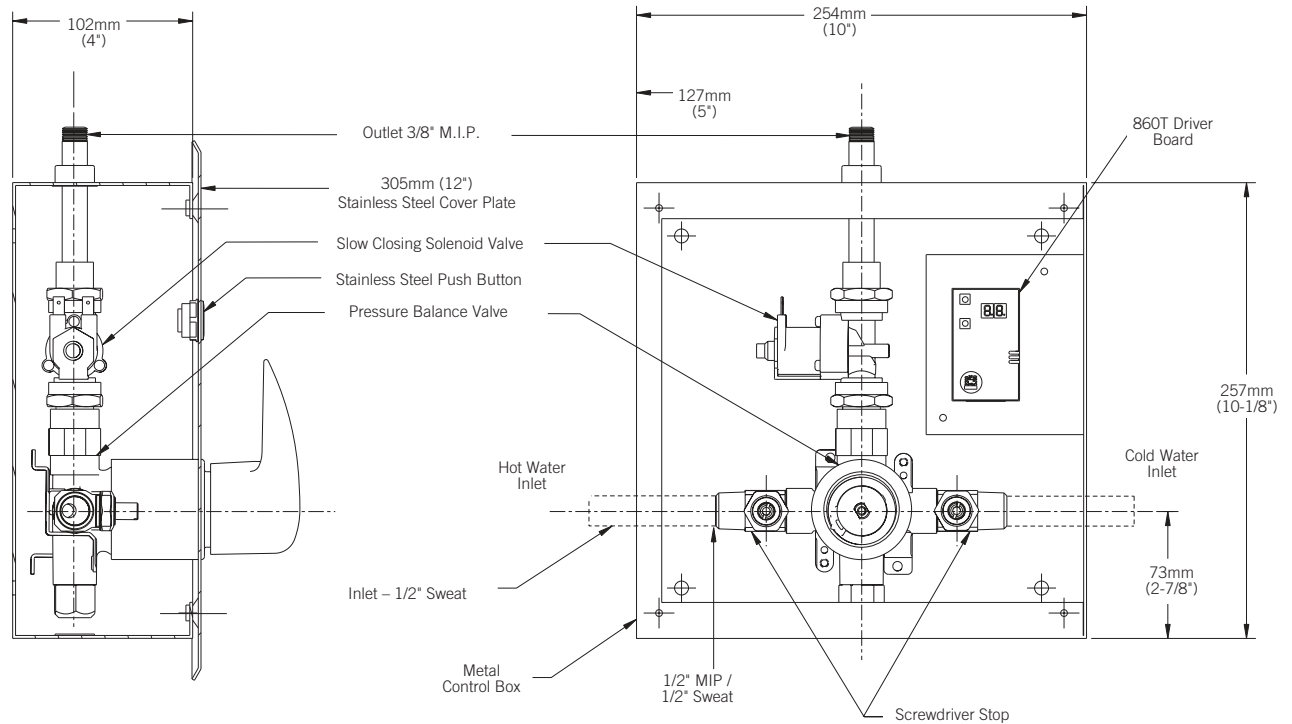
### 860T AND 861T SERIES

Battery Operated – Batteries and battery pack supplied.

**Hardwire Version** comes complete with Watertight Connector and Hardwire Converter 24 VAC to 6.4 VDC.

**Hardwire with Battery Backup** comes complete with Watertight Connector, Hardwire Converter 24 VAC to 5 VDC and 9V battery. **See DSP-BB for detailed specification.**

Models supplied without a shower head must be used with shower heads rated at 4.5 L/min @ 310 kPa (1.2 gpm @ 45 psi) or higher.



PIPING SHOWN WITH DOTTED LINES SUPPLIED BY OTHERS.

Battery Pack (not shown).  
Required for battery models only.

Note: Measurements may vary  $\pm$  6mm (0.25")

# 860T and 861T Push Button Electronic Shower

**TECK**<sup>®</sup>  
COMMERCIAL

**DELTA**

## THERMOSTATIC BALANCING MIXING VALVE ASSEMBLED CONTROL BOX

### 860T AND 861T SERIES #8 CONTROL BOX

✓	PRODUCT NO.	VALVE TYPE	MOUNT TYPE	COVER
	860T1	8	Push Button Shower Valve – Hardwire	305mm (12") Stainless Steel
	861T1	8	Push Button Shower Valve – Battery	305mm (12") Stainless Steel

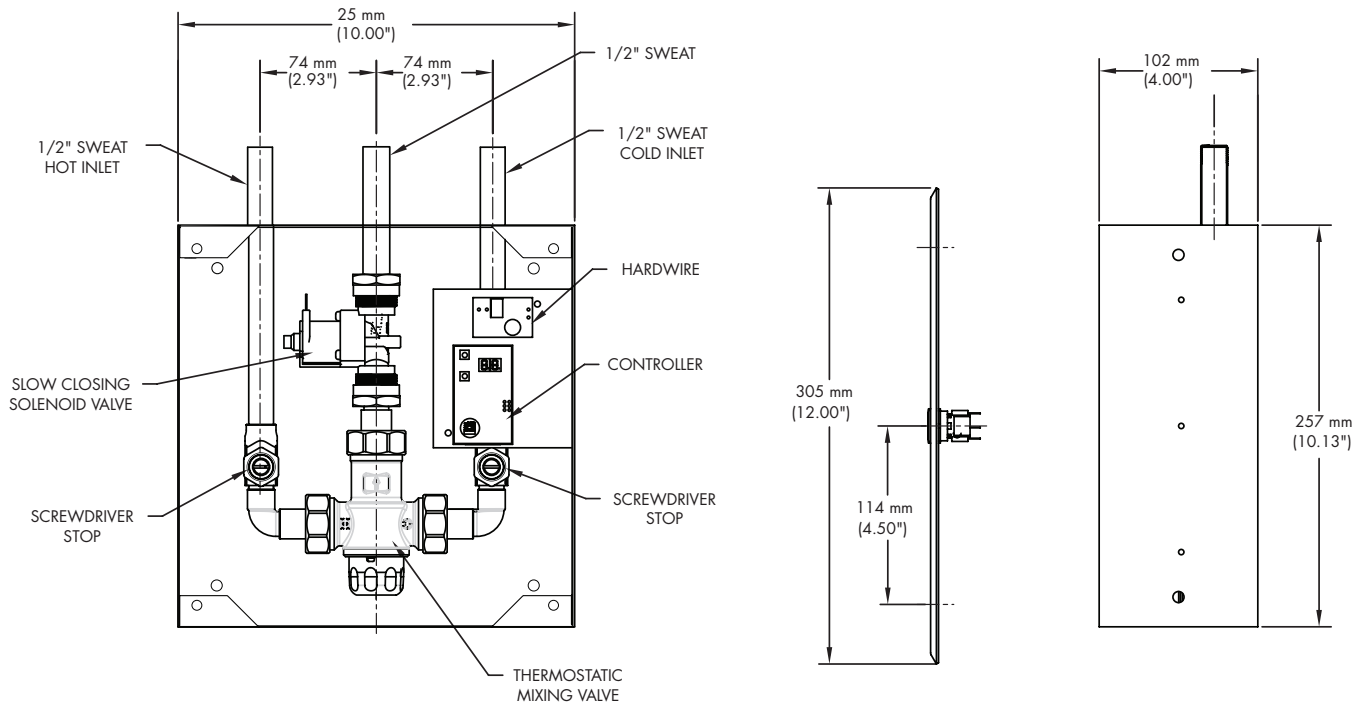
### 860T AND 861T SERIES

Battery Operated – Batteries and battery pack supplied.

**Hardwire Version** comes complete with Watertight Connector and Hardwire Converter 24 VAC to 6.4 VDC.

**Hardwire with Battery Backup** comes complete with Watertight Connector, Hardwire Converter 24 VAC to 5 VDC and 9V battery. **See DSP-BB for detailed specification.**

Models supplied without a shower head must be used with shower heads rated at 1.3 L/min @ 310 kPa (0.35 gpm @ 45 psi) or higher.



Note: Measurements may vary  $\pm 6$ mm (0.25")