




Flush Valves

Flush valve with Oscillating handle activated-for wall hung 3/4" back inlet urinal fixture

Model No: 83T431

COMPLIES WITH:

- IAPMO listed to ASSE 1037/ASME A112.1037/CSA B125.37
- Oscillating handle
-  Indicates compliance to ICC/ANSI A117.1
- Option -19 and -05 are EPA WaterSense Listed
- (Contact Delta Representative for State and/or Local Approvals)



SPECIFICATION:

- Quiet action Teck® concealed diaphragm flush valve
- Adjustable 110mm (4.31") to 132mm (5.19") inlet/Valve outlet centers
- Vacuum breaker
- Renewable seat
- Chloramine resistant diaphragm attached to guide with metal retainer
- Pressure loss check angle stop with wheel handle
- Vandal resistant handle control can easily be located and installed anywhere within 6m (20') of flush valve
- Standard flush valve will install on all walls 0 mm to 318 mm (12.5") thick
- For wall hung 3/4" back inlet urinal fixture
- ADA compliant metal "non hold open" oscillating handle actuator
- 1" FIP / 3/4" copper sweat inlet adaptor
- Polished chrome plated finish on exposed trim
- External water conserving flush adjustment: Factory Set to 1.9 Litre (0.5 GAL.) - FIELD ADJUSTABLE from 0.47 to 3.78 Litre (1/8 to 1.0 GAL.)

OPERATION:

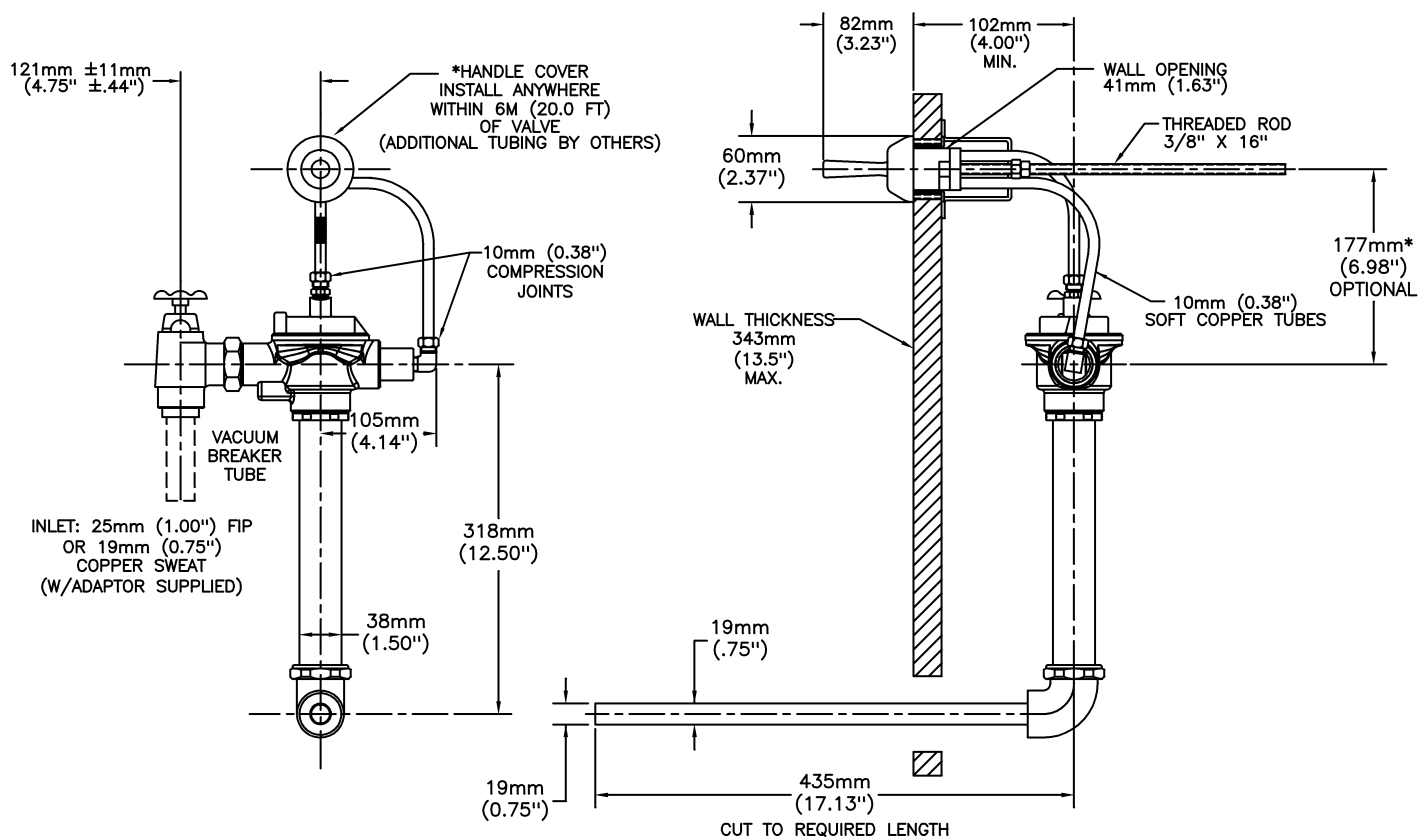
- **Recommended water supply:**
 - Minimum flowing pressure – 25 psi (172 kPa)
 - Minimum flow rate – 8 gpm (30 L/min)
- Adjustable flush volume using adjustment screw on flush valve

(Dimensional drawing on following page)

Delta reserves the right (1) to make changes to specifications and materials, and (2) to change or discontinue models, both without notice or obligation. Dimensions are for reference. Measurement may vary plus or minus 6mm(0.25"). Mounting locations are suggested only. Check with local codes for requirements in your area. This spec was produced June 15, 2021.

Delta Faucet Company - 55 East 111th St. - Indianapolis, Indiana, USA 46280 - (317) 848-1812
Delta Faucet Canada - 395 Matheson Blvd E - Mississauga, Ontario, Canada L4Z 2H2 - (905) 712-3030

Teck® flushometer valves are designed to operate at any supply pressure between 20 psi and 125 psi in accordance with ASSE 1037/ASME A112.1037/ CSA B125.37. The Teck® flush valve delivers the industry's highest peak flows to enhance bowl scrubbing. At high water pressures, splash out, noise or reduced life of plumbing components may be observed with a few models of water closet or urinal fixtures. To minimize or eliminate these effects, select a different model of water closet or urinal from the same or another manufacturer, or install a pressure reducing valve. If the installation does not allow for either of these options, the control stop adjusting screw may be used to reduce pressure to the valve.



Delta reserves the right (1) to make changes to specifications and materials, and (2) to change or discontinue models, both without notice or obligation. Dimensions are for reference. Measurement may vary plus or minus 6mm(0.25"). Mounting locations are suggested only. Check with local codes for requirements in your area. This spec was produced June 15, 2021.