

# Concealed TECK® Flush Valve

**TECK**  
COMMERCIAL

**DELTA**

## SPECIFICATION: (EXAMPLE)

### (FOR 1-1/2" WALL HUNG BACK INLET CLOSET FIXTURE)

- Quiet action, TECK® concealed diaphragm flush valve
- Chloramine resistant diaphragm
- Forged brass diaphragm retainer
- Renewable seat
- **External water conserving flush volume adjustment**, (except -48 and -6 models) factory set to 6 litre (1.6 gal.)
- "Non hold open" metal handle actuator
- Vandal resistant handle control can easily be located and installed anywhere within 6m (20') of flush valve
- Standard flush valve will install on all walls zero to 318mm (12-1/2") thick
- **1" FIP/copper sweat inlet adaptor** wheel handle angle check stop
- Adjustable 121mm (4-3/4") plus or minus 11mm (7/16") inlet/valve outlet centers
- Vacuum breaker
- **Recommended water supply:**  
Minimum flowing pressure – 25 psi (172 kPa)  
Minimum flow rate – 25 gpm (95 L/min)

☐ **83T140**  
with 16mm (5/8") dia. push button

☐ **83T140-48**  
Same as 83T140 but factory set to 4.8 litre (1.27 gal), **Not Field Adjustable**

☐ **83T141**   
with oscillating handle


### (FOR BACK INLET PRISON FIXTURE)

☐ **83T000**  
Same as 83T140 with 16mm (5/8") dia. push button BUT with 1-1/2" MIP on outlet tube for Prison Fixture installation

☐ **83T000-6**  
Same as 83T000 but **Not Field Adjustable**



## APPROVALS:

- IAPMO listed to ASSE 1037/ ASME A112.1037/CSA B125.37
-  Indicates compliance to ICC/ANSI A117.1

(Contact Delta Representative for State and/or Local Approvals.)

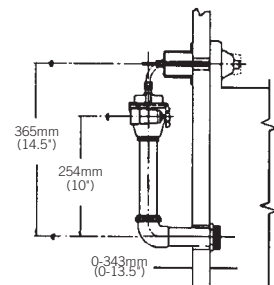
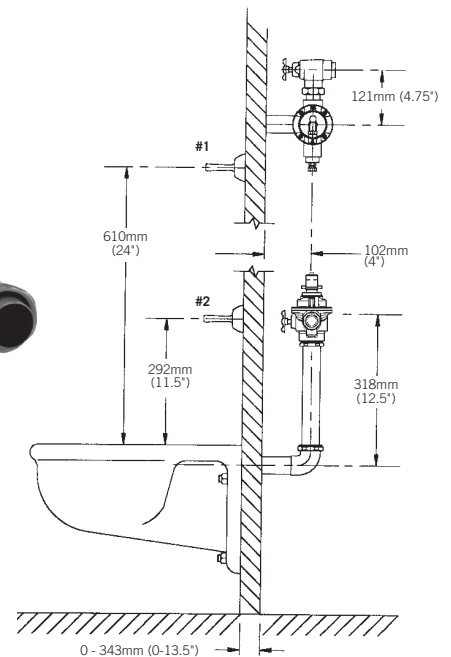
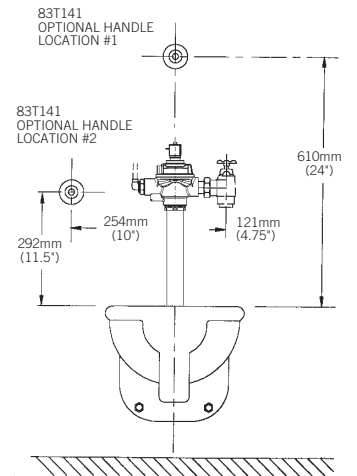
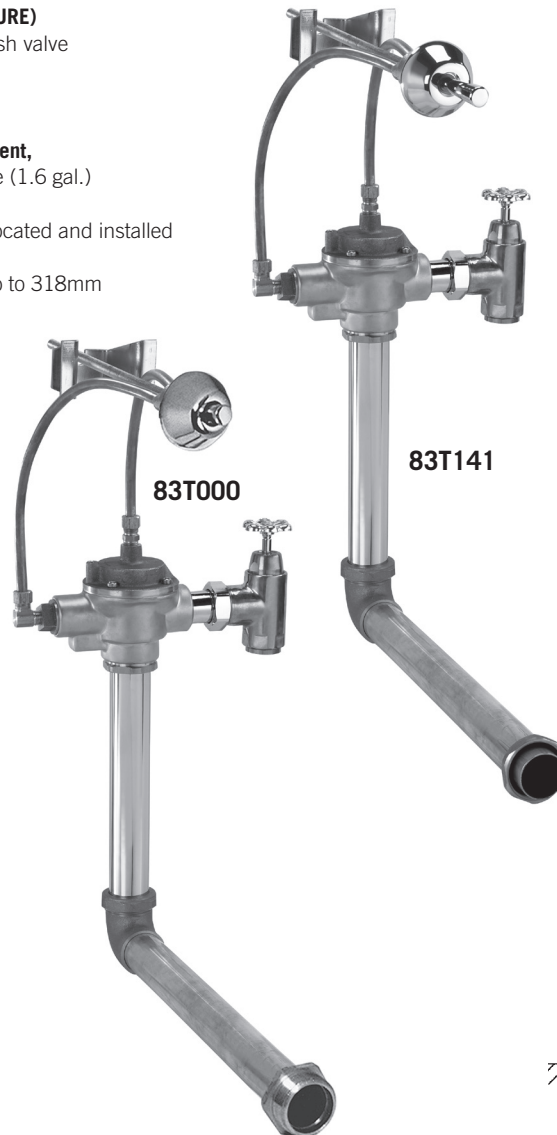
### Engineer/Architect Approval

Model Specified:

Approval:

Date:

Note: Measurements may vary ± 6mm (0.25")



Note: For high and low pressure applications, please see page FEA-81T High Water Pressure note for more details.  
Verify flow requirements with bowl manufacturer.