

SPECIFICATION: (EXAMPLE)

(FOR TOP INLET URINAL FIXTURE)

- Quiet action, TECK® exposed diaphragm flush valve
- Chloramine resistant diaphragm
- Forged brass diaphragm retainer
- Renewable seat
- Polished chrome-plated body
- **External water conserving flush volume adjustment**, factory set to 1.9 litre (0.50 gal.)
- Vandal resistant cover screw
- Metal "non hold open" handle
- **1" FIP/3/4" copper sweat inlet adaptor** angle check stop with protecting cap
- Adjustable 121mm (4-3/4") plus or minus 11mm (7/16") inlet/valve outlet centers
- Vacuum breaker
- Cover tube and S/S wall flange, spud flange and spud nut
- **Recommended water supply:**
Minimum flowing pressure – 25 psi (172 kPa)
Minimum flow rate – 8 gpm (30 L/min)

FOR 3/4" TOP INLET URINAL FIXTURE

81T231

As above

81T231-19

Same as 81T231, **Not field adjustable.**



81T231-05

Same as 81T231, but set to 0.5 litre (0.125 gal.), **Not field adjustable.**



**OPTIONS AVAILABLE
(for Field Conversion):**

060253A

3/4" x 19-1/2" VB Tube (for 81T231)

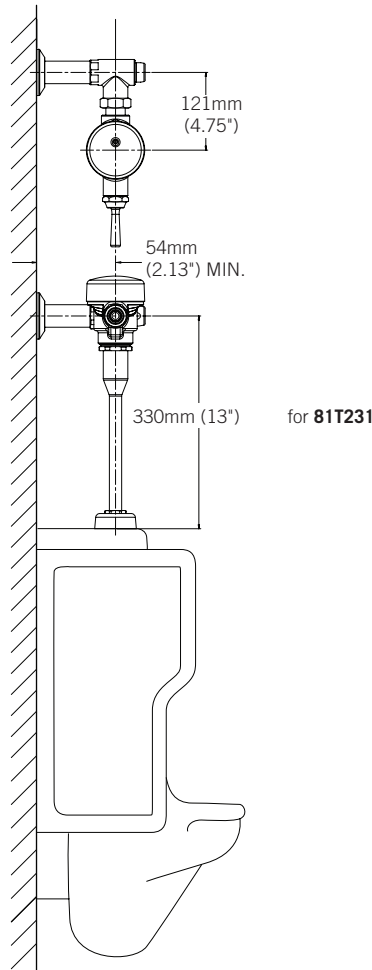


APPROVALS:

- IAPMO listed to ASSE 1037/
ASME A112.1037/CSA B125.37
- Indicates compliance to
ICC/ANSI A117.1

(Contact Delta Representative for State and/or Local Approvals.)

81T231



Engineer/Architect Approval	
Model Specified:	
Approval:	Date:

Note: Measurements may vary ± 6mm (0.25")

Note: For high and low pressure applications, please see page FEA-81T High Water Pressure note for more details.
Verify flow requirements with bowl manufacturer.