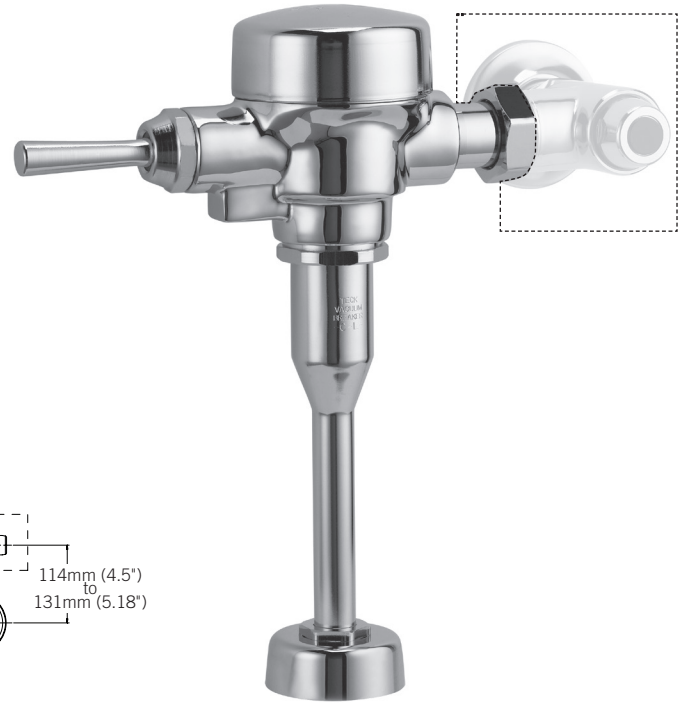


# Exposed TECK® Flush Valve for Sloan® / Zurn® Stops

**TECK®**  
COMMERCIAL

**DELTA**

81T231-30



**SPECIFICATION: (EXAMPLE)**

**(FOR TOP INLET URINAL FIXTURE)**

**LESS STOP, WITH MODIFIED TAIL TO FIT SLOAN®/ZURN® STOP**

- Quiet action, TECK® exposed diaphragm flush valve
- Chloramine resistant diaphragm
- Forged brass diaphragm retainer
- Renewable seat
- Polished chrome-plated body
- **External water conserving flush volume adjustment**, factory set 1.9 litre (0.50 gal.)
- Vandal resistant cover screw
- Metal "non hold open" handle
- Adjustable 114mm (4.5") to 131mm (5.18") inlet/valve outlet centers
- Vacuum breaker
- Spud flange and spud nut
- **Recommended water supply:**  
Minimum flowing pressure – 25 psi (172 kPa)  
Minimum flow rate – 8 gpm (30 L/min)

**FOR 3/4" TOP INLET URINAL FIXTURE**

**81T231-30**

As above

**81T231-30-05**

Same as 81T231-30, but set to 0.5 litre (0.125 gal.), **Not Field Adjustable**

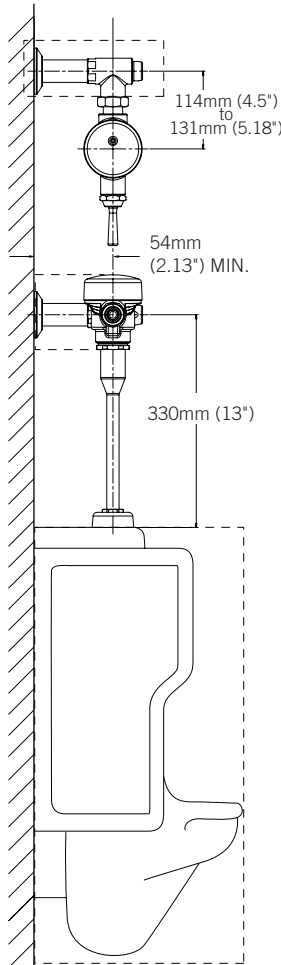


**OPTIONS AVAILABLE**

**(for Field Conversion):**

**060253A**

3/4" x 19-1/2" VB Tube (for 81T231 Series)



**Items shown outlined  
by dotted lines supplied  
by others.**



**Approvals:**

- IAPMO listed to ASSE 1037/ ASME A112.1037/CSA B125.37
- Indicates compliance to ICC/ANSI A117.1

(Contact Delta Representative for State and/or Local Approvals.)

<b>Engineer/Architect Approval</b>	
Model Specified:	
Approval:	Date:

Note: For high and low pressure applications, please see page FEA-81T High Water Pressure note for more details. Verify flow requirements with bowl manufacturer.

Note: Measurements may vary ± 6mm (0.25")