

# Electronic Exposed TECK® Flush Valve

**TECK®**  
COMMERCIAL


**DELTA**

## 81T221HWA-DF

### Exposed Hardwire Operated 1-1/2" Top Inlet Closet Fixture

- Polished chrome plated vandal resistant metal cover with top mounted sensor operated **H<sub>2</sub>Optics®** electronics
- Right or left-hand supply installation
- ADA compliant, automatic operation hardwire powered infrared sensor
- Scratch resistant replaceable lens window
- Supplied with an advanced infrared sensor activated flush system that uses precise user distance measurements along with a bowl length setting to activate the correct flush for each usage
- Hardwire adaptor 24 VAC to 6.4 VDC converter (supplied)
- Vandal resistant copper tube conduit
- Override button activation will always produce a full flush
- Optional 24 hour automatic flush factory set to OFF
- Set-up sensor range adjustment indicator lights
- 24 VAC input, 6 second arming delay
- Electronic operated non-hold-open **metal** override button with 5 second lockout
- (110 to 24 VAC Transformer not included. See selection below for additional part number.)
- Quiet action, TECK® exposed diaphragm flush valve
- Chloramine resistant diaphragm
- Forged brass diaphragm retainer
- Renewable seat
- Polished chrome plated body
- **External water conserving flush adjustment**, factory set at to 6 litre (1.6 gal.)
- Optional dual flush setting capability factory set to ON providing average 30% water reduced flush based on time and distance
- **1" FIP/Copper sweat inlet adaptor**, angle check stop with protecting cap
- Adjustable 121mm (4-3/4") plus or minus 11mm (7/16") inlet/valve outlet centers
- Vacuum breaker
- Cover tube, stainless steel wall flange, spud flange, concealed spud nut, and 610mm (24") outlet tube
- **Recommended water supply:**  
Minimum flowing pressure – 25 psi (172 kPa)  
Minimum flow rate – 25 gpm (95 L/min)
- **Note:** Models 81T221BTA-DF and 81T221HWA-DF are designed for retrofits with water supply rough-in 24" (610mm) above top of water closet. For new installations, 81T201BTA-DF and 81T201HWA-DF are recommended.

## APPROVALS:

- IAPMO listed to ASSE 1037/ ASME A112.1037/CSA B125.37
-  Indicates compliance to ICC/ANSI A117.1

(Contact Delta Representative for State and/or Local Approvals.)

Patented



## Engineer/Architect Approval

Model Specified:

Approval:

Date:

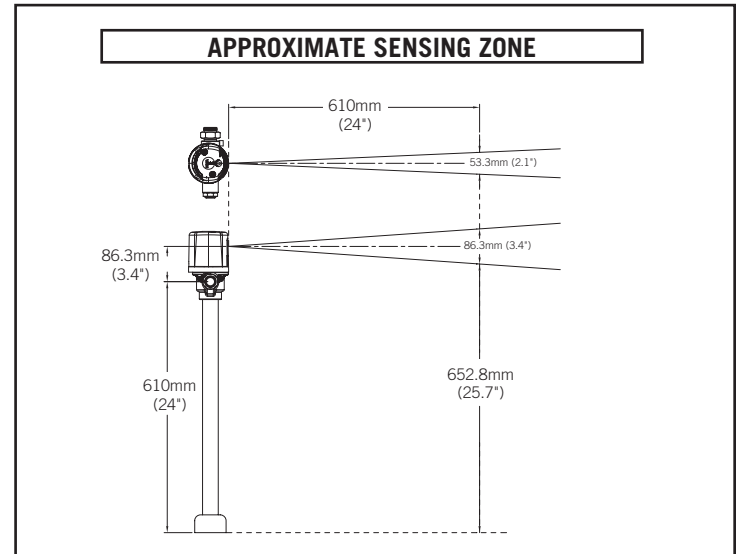
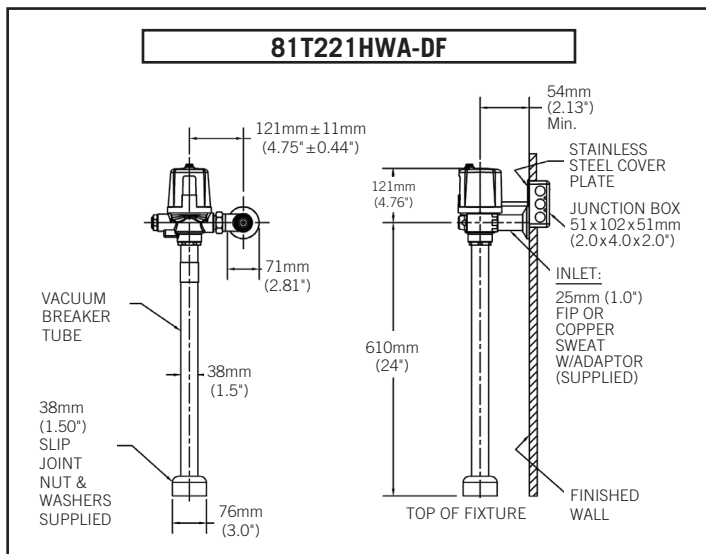
## 81T221HWA-DF



## AVAILABLE OPTIONS FOR FIELD CONVERSION

- 061047A Hardwire with Battery Backup**  
See **DSP-BB** for detailed specification.

| ✓ | TRANSFORMERS   |   |
|---|----------------|---|
|   | <b>060704A</b> | 110 to 24 VAC Class 2 20 VA<br>(for up to 5 Electronic Valves)  |
|   | <b>060771A</b> | 110 to 24 VAC Class 2 40 VA<br>(for up to 10 Electronic Valves) |



Note: For high and low pressure applications, please see page FEA-81T High Water Pressure note for more details.  
 Verify flow requirements with bowl manufacturer.

Note: Measurements may vary ± 6mm (0.25")

Refer to [www.specselect.com](http://www.specselect.com) for individual models.

Note: Use this page as a product submittal sheet.

Delta reserves the right (1) to make changes in specifications and materials, and (2) to change or discontinue models, both without notice or obligation. Dimensions are for reference only. See current full-line price book or [www.specselect.com](http://www.specselect.com) for finish options and product availability.

**DSP-81T221HWA-DF Rev. C**