

# Exposed TECK® Flush Valve for Sloan® / Zurn® Stops

**TECK®**  
COMMERCIAL

**DELTA**

## SPECIFICATION: (EXAMPLE)

81T201-30

### (FOR 1-1/2" TOP INLET CLOSET FIXTURE)

#### LESS STOP, WITH MODIFIED TAIL TO FIT SLOAN®/ZURN® STOP

- Quiet action, TECK® exposed diaphragm flush valve
- Chloramine resistant diaphragm
- Forged brass diaphragm retainer
- Renewable seat
- Polished chrome-plated body
- **External water conserving flush volume adjustment,**  
(except -48 and -6 models) factory set to 6 litre (1.6 gal.)
- Vandal resistant cover screw
- Metal "non hold open" handle
- Adjustable 114mm (4.5") to 131mm (5.18") inlet/valve outlet centers
- Vacuum breaker
- Spud flange and concealed spud nut
- **Recommended water supply:**  
Minimum flowing pressure – 25 psi (172 kPa)  
Minimum flow rate – 25 gpm (95 L/min)

#### WITH 292mm (11-1/2") LENGTH:

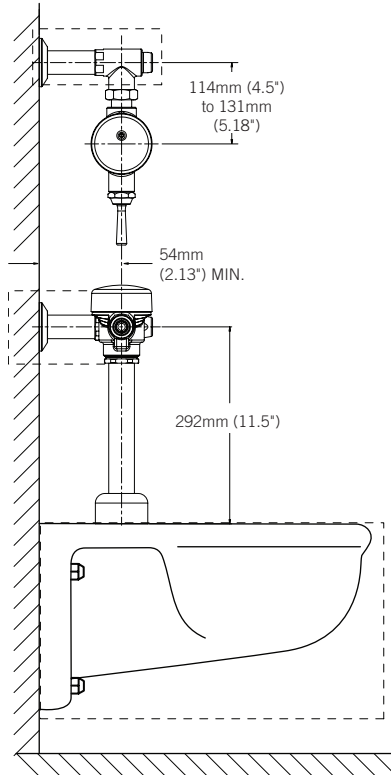
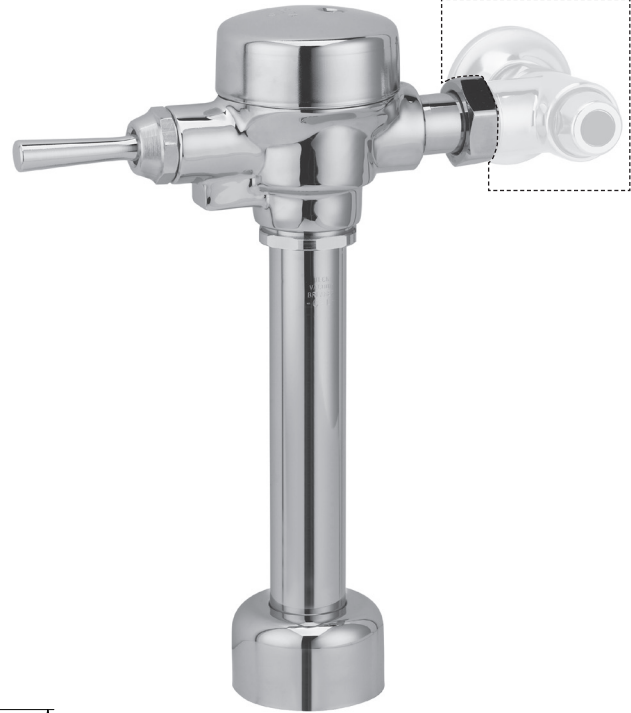
##### ☐ 81T201-30

As above

##### ☐ 81T201-30-48

Same as 81T201-30, but factory set to 4.8 litre (1.27 gal.),

**Not Field Adjustable**



Items shown outlined  
by dotted lines supplied  
by others.



## APPROVALS:

- IAPMO listed to ASSE 1037/  
ASME A112.1037/CSA B125.37
- Indicates compliance to  
ICC/ANSI A117.1

(Contact Delta Representative for State and/or  
Local Approvals.)

### Engineer/Architect Approval

Model Specified:

Approval:

Date:

Note: Measurements may vary  $\pm$  6mm (0.25")

Note: For high and low pressure applications, please see page  
FEA-81T High Water Pressure note for more details.  
Verify flow requirements with bowl manufacturer.