



## Electronic Faucets

Deckmount Hi-Rise Spout with Integral Sensor  
H2Optics® technology  
Battery Operated  
Recessed Control Box

### Model No: 590T1198TR

#### COMPLIES WITH:

- CSA certified.
- Complies to ASME A112.18.1/CSA B125.1
- Verified compliant with 0.25% weighted average Pb content regulations
- Indicates compliance to ICC/ANSI A117.1
- Patented
- NOTE 1: For optimum performance of this product, we recommend a system pressure between 20 and 80 PSI static. This product will operate up to a maximum of 125 PSI static per ANSI and CSA requirements. However, we do not recommend pressures above 80 PSI. Thermal expansion or leaking pressure reducing valves may require use of expansion tanks or relief valves to ensure your system never exceeds its maximum intended pressure setting.
- NOTE 2: Designed for routine 171°F (77°C) disinfection cycles up to 30 minutes.
- NOTE 3: Hardwire Proximity models not for use on enamel covered metal sinks
- (Contact Delta Representative for State and/or Local Approvals)



#### NOTES:

Control Box(590Txxx8TR) -NOTES:  
**Supplied as trim parts only - includes Stainless Steel Cover, Solenoid and Driver Board**  
**Requires Rough-in Product Number ELAVT0008ARI or ELAVT0001ARI to be ordered separately - seeELAVT0008ARiorELAVT0001ARI**

#### SPECIFICATION:

- H2Optics® technology – no external adjustments required
- Chrome plated one piece CAST Hi-Rise spout with integral sensor
- Adjustable sensing range and timeout
- Mixing valve required (order separately)
- Optional 4" Coverplate - 060546A (to be ordered separately)
- Optional 8" Coverplate - 060547A (to be ordered separately)
- Deckmount Hi-Rise Spout with Integral Sensor H2Optics® technology, Battery Operated, Recessed Control Box
- Outlet#: 9 - Vandal Resistant 0.35 gpm (1.32 L/min.) Non-Aerating Spray Outlet
- Supplied as trim parts only – requires separate order of ELAVT0008ARI or ELAVT0001ARI rough-in to have complete product
- Single Hole Deckmount Hi-Rise Spout with Integral Sensor

#### OPERATION:

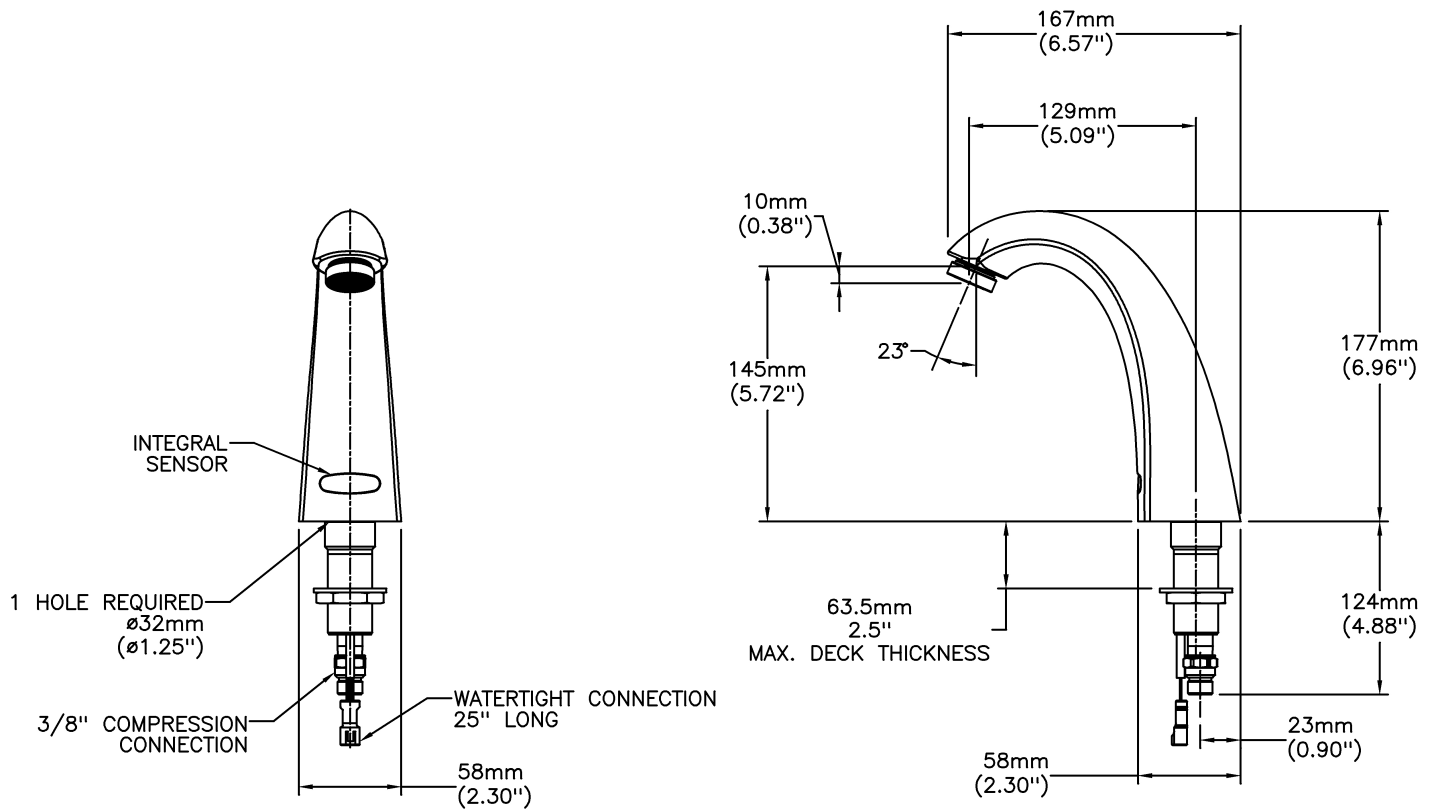
- Hands free (touchless) operation.
- Water flows when sensor is activated.
- Water flow stops upon de-activation of sensor.
- Adjustable auto shut-off feature. Factory set to 45 seconds. Will reset once obstruction is removed.
- Adjustable sensing distance 76 to 381mm (3" to 15") factory set to 229 mm (9") (± 3.0")
- Low battery audible beep (for battery models only) will activate after faucet shuts off when approximately 1500 cycles remain.
- Metering mode with selectable flow times of 7 seconds to 4 minutes, factory set off.
- Periodic Rinse feature, time adjustable in 6 hour increments up to 2 days. Selectable rinsing lengths from 10 to 180 seconds. Factory set off.

***(Dimensional drawing on following page)***

Delta reserves the right (1) to make changes to specifications and materials, and (2) to change or discontinue models, both without notice or obligation. Dimensions are for reference. Measurement may vary plus or minus 6mm(0.25"). Mounting locations are suggested only. Check with local codes for requirements in your area. This spec was produced July 13, 2021.

Delta Faucet Company - 55 East 111th St. - Indianapolis, Indiana, USA 46280 - (317) 848-1812  
Delta Faucet Canada - 395 Matheson Blvd E - Mississauga, Ontario, Canada L4Z 2H2 - (905) 712-3030

Model No: 590T1198TR



Delta reserves the right (1) to make changes to specifications and materials, and (2) to change or discontinue models, both without notice or obligation. Dimensions are for reference. Measurement may vary plus or minus 6mm(0.25"). Mounting locations are suggested only. Check with local codes for requirements in your area. This spec was produced July 13, 2021.

Delta Faucet Company - 55 East 111th St. - Indianapolis, Indiana, USA 46280 - (317) 848-1812  
Delta Faucet Canada - 395 Matheson Blvd E - Mississauga, Ontario, Canada L4Z 2H2 - (905) 712-3030