

Electronic Proximity® Sensing Technology Lavatory Faucets

HDF
COMMERCIAL



SPECIFICATION: (EXAMPLE)

- Deck mount electronic lavatory faucet
- All metal spout construction
- **Proximity® Sensing Technology**
- Battery units supplied with 4 "C" cell batteries
- Hardwire units supplied with 24 VAC to 6.4 VDC converter (AC filter and transformer required – specify separately)
- Plug-in units supplied with plug-in power supply
- Less power units supplied with ganging/splitter cable for use with plug-in model (1 plug-in unit can be used to connect up to 4 less power units)
- Surface mount control box
- Mixing valve required (Order separately)
- Vandal resistant 0.5 gpm (1.9 L/min) laminar outlet

590-PALGHDF



Engineer/Architect Approval

Model Specified:

Approval:

Date:

MODEL NUMBER EXAMPLE:

Configurations vary, see below for availability.




590-PALGHDF-HW

Installation/Centers

- 0 = Single hole
- 1 = 4" (102 mm) coverplate
- 2 = 8" (203 mm) coverplate

Power Supply

- HW = Hardwire
- Blank = Battery-operated
- PI = Plug-in
- LP = Less Power

AVAILABLE MODELS		SURFACE MOUNT CONTROL BOX			
		HARDWIRE	BATTERY-OPERATED	PLUG-IN	LESS POWER
INSTALLATION/CENTERS	Deck Mount, Single Hole with Anti-rotation Pin 	590-PALGHDF-HW	590-PALGHDF	590-PALGHDF-PI	590-PALGHDF-LP
	Deck Mount with 4" (102 mm) Coverplate with Anti-rotation Pin 	591-PALGHDF-HW	591-PALGHDF	591-PALGHDF-PI	591-PALGHDF-LP
	Deck Mount with 8" (203 mm) Coverplate with Anti-rotation Pin 	592-PALGHDF-HW	592-PALGHDF	592-PALGHDF-PI	592-PALGHDF-LP

Batteries included on all battery models.
Refer to www.specselect.com for individual models.

Flow Rates are at 60 PSI.
Note: Use all pages as product submittal sheets.

Delta reserves the right (1) to make changes in specifications and materials, and (2) to change or discontinue models, both without notice or obligation. Dimensions are for reference only. See current full-line price book or www.specselect.com for finish options and product availability.

DSP-590-PAHDF Rev. A

Electronic Proximity® Sensing Technology Lavatory Faucets

HDF
COMMERCIAL



590-PA Series

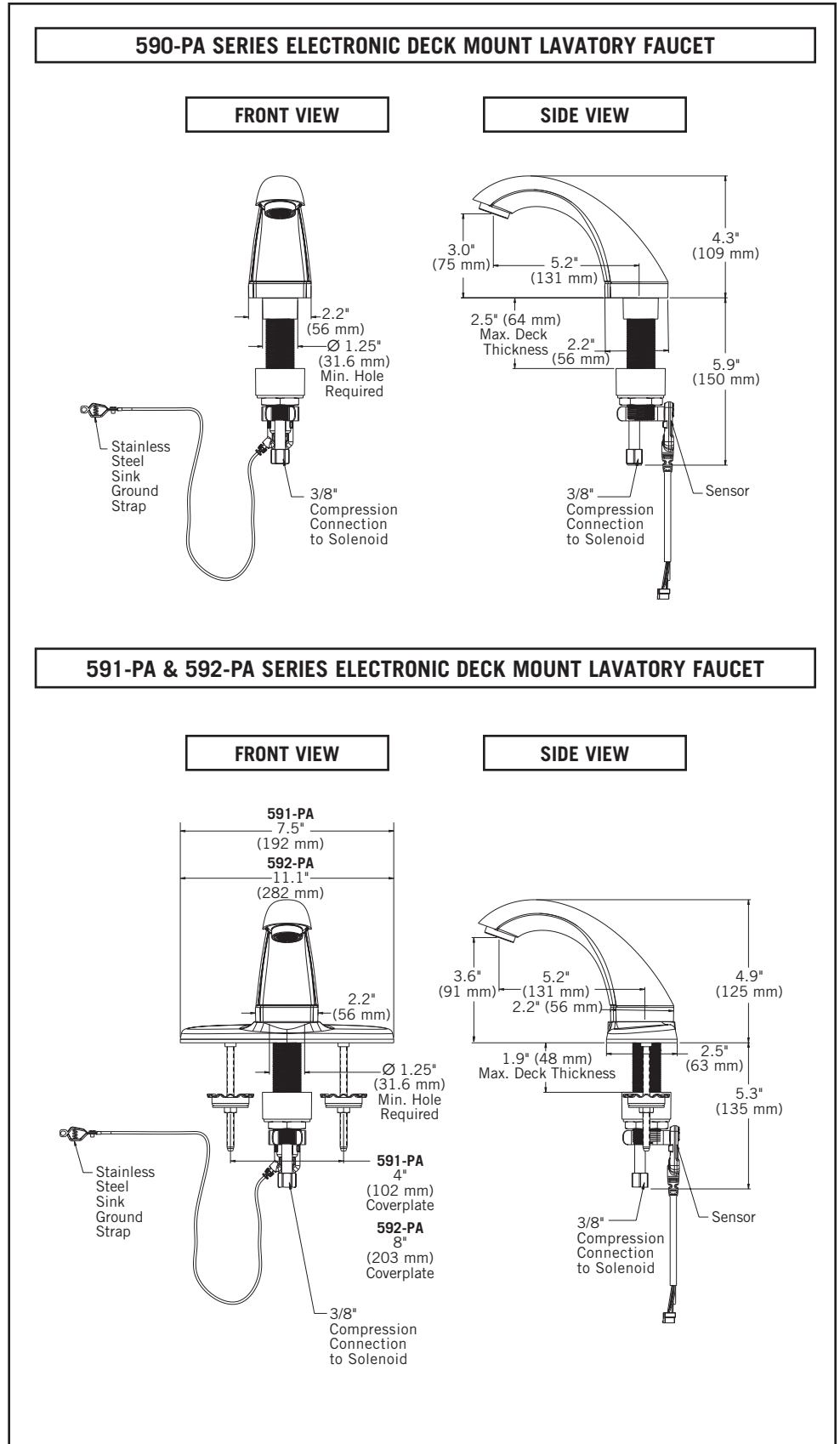
- Deck mount, single hole installation
- ☐ 590-PALGHDF (Battery)
- ☐ 590-PALGHDF-HW (Hardwire)
- ☐ 590-PALGHDF-PI (Plug-in)
- ☐ 590-PALGHDF-LP (Less Power)

591-PA Series

- 4" (102 mm) centers
- Coverplate with anti-rotation pin
- ☐ 591-PALGHDF (Battery)
- ☐ 591-PALGHDF-HW (Hardwire)
- ☐ 591-PALGHDF-PI (Plug-in)
- ☐ 591-PALGHDF-LP (Less Power)

592-PA Series

- 8" (203 mm) centers
- Coverplate with anti-rotation pin
- ☐ 592-PALGHDF (Battery)
- ☐ 592-PALGHDF-HW (Hardwire)
- ☐ 592-PALGHDF-PI (Plug-in)
- ☐ 592-PALGHDF-LP (Less Power)



Electronic Proximity® Sensing Technology Lavatory Faucets

HDF
COMMERCIAL

DELTA

590-PA Series

- Deck mount, single hole installation
- ☐ 590-PALGHDF (Battery)
- ☐ 590-PALGHDF-HW (Hardwire)
- ☐ 590-PALGHDF-PI (Plug-in)
- ☐ 590-PALGHDF-LP (Less Power)

591-PA Series

- 4" (102 mm) centers
- Coverplate with anti-rotation pin
- ☐ 591-PALGHDF (Battery)
- ☐ 591-PALGHDF-HW (Hardwire)
- ☐ 591-PALGHDF-PI (Plug-in)
- ☐ 591-PALGHDF-LP (Less Power)

592-PA Series

- 8" (203 mm) centers
- Coverplate with anti-rotation pin
- ☐ 592-PALGHDF (Battery)
- ☐ 592-PALGHDF-HW (Hardwire)
- ☐ 592-PALGHDF-PI (Plug-in)
- ☐ 592-PALGHDF-LP (Less Power)



APPROVALS:

- CSA certified
- Complies to ASME A112.18.1/CSA B125.1
- Indicates compliance to ICC/ANSI A117.1
- Verified compliant with 0.25% weighted average Pb content regulations

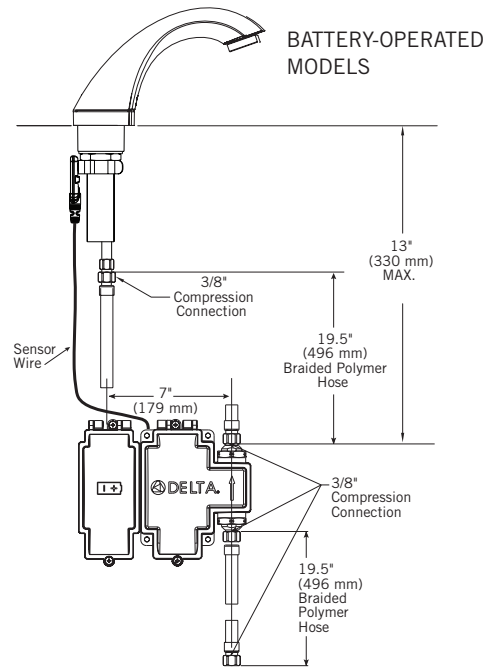
(Contact Delta Representative for State and/or Local Approvals.)

Patented

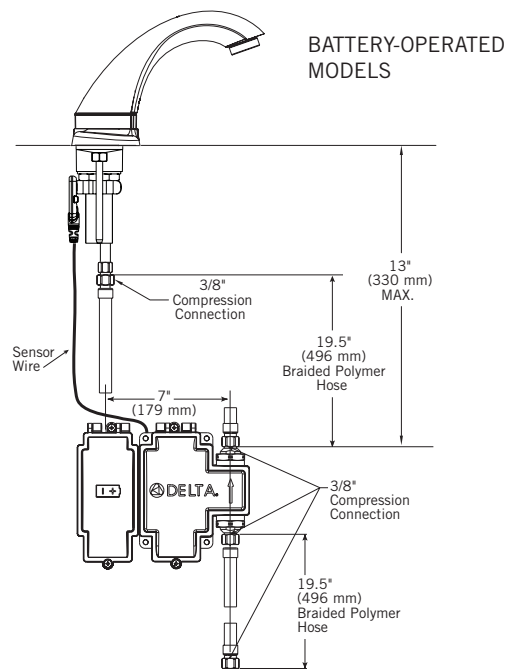
Note: Measurements may vary \pm 6mm (0.25")

TYPICAL INSTALLATION

590-PA SERIES



591-PA & 592-PA SERIES



Batteries included on all battery models.
Refer to www.specselect.com for individual models.

Flow Rates are at 60 PSI.
Note: Use all pages as product submittal sheets.

Delta reserves the right (1) to make changes in specifications and materials, and (2) to change or discontinue models, both without notice or obligation. Dimensions are for reference only. See current full-line price book or www.specselect.com for finish options and product availability.

DSP-590-PAHDF Rev. A

Electronic Proximity® Sensing Technology Lavatory Faucets

HDF
COMMERCIAL

DELTA

590-PA Series

- Deck mount, single hole installation with anti-rotation pin

☐ **590-PALGHDF-HW** (Hardwire)

591-PA Series

- 4" (102 mm) centers
- Coverplate with anti-rotation pin

☐ **591-PALGHDF-HW** (Hardwire)

592-PA Series

- 8" (203 mm) centers
- Coverplate with anti-rotation pin

☐ **592-PALGHDF-HW** (Hardwire)

OPERATION:

- Hands free (touchless) operation.
- No visible sensor, the spout is the sensor.
- Water flows when sensing is activated.
- Water flow stops upon de-activation of sensing.
- Adjustable sensing distance, factory set to approximately 3" (76 mm).
- Adjustable auto shut off feature. Factory set to 45 seconds.
- Metering mode with selectable flow times of 7 seconds to 4 minutes, factory set off.
- Periodic Rinse feature, time adjustable in 6 hour increments up to 2 days. Selectable rinsing time from 10 to 180 seconds. Factory set off.

NOTE 1: Designed for routine 180°F (82°C) disinfection cycles up to 10 minutes.

NOTE 2: Use only Delta® supplied cable sets. Using non-Delta® cables, cutting or splitting any components will void the warranty.

NOTE 3: Proximity® models **not** for use on enamel covered metal sinks or metal counter tops.

NOTE 4: Use 2-conductor 18 AWG wire for **all** electrical connections.

NOTE 5: Use Delta® Commercial approved AC filters and transformers.

AVAILABLE OPTIONS FOR FIELD CONVERSION

☐ **063268A**

Hardwire with Battery Backup

See **DSP-BBBox** for detailed specification.

☐ **060651A**

3 Position Switch

See **DSP-ELACC** for detailed specification.

Note: Measurements may vary ± 6mm (0.25")

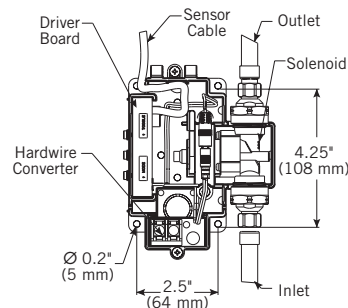
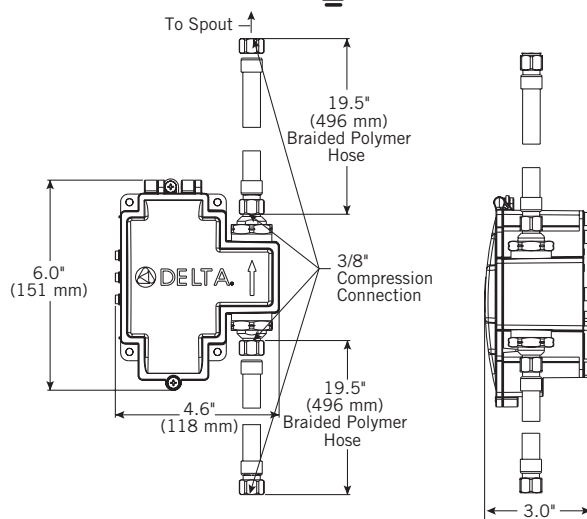
HARDWIRE MODELS

20 VA TRANSFORMER CONFIGURATION

- A maximum of one (1) AC filter can be connected to a 20 VA transformer
- A maximum combination of five (5) Delta® Commercial faucets and/or flush valves can be connected to the AC filter
- See Maintenance and Installation guide for example of 40 VA transformer

NOTE:
AC filter and transformer required.
(Order separately).

20 VA TRANSFORMER



ACCESSORIES

060704A	120 to 24 VAC Class 2 20 VA (Up to 5 Electronic Valves)
060771A	120 to 24 VAC Class 2 40 VA (Up to 10 Electronic Valves)
061256A	36" Sensor Cable Extension
063271A*	AC Filter 24 VAC to 18 VDC (Up to 5 Electronic Valves)
063267A*	AC Filter 24 VAC to 18 VDC plus 120 to 24 VAC Class 2 20 VA (Up to 5 Electronic Valves)

*Note: AC filter required for hardwire Proximity® models. One (1) AC filter for up to 5 valves.

Refer to www.specselect.com for individual models.

Flow Rates are at 60 PSI.
Note: Use all pages as product submittal sheets.

DSP-590-PAHDF Rev. A

Delta reserves the right (1) to make changes in specifications and materials, and (2) to change or discontinue models, both without notice or obligation. Dimensions are for reference only. See current full-line price book or www.specselect.com for finish options and product availability.

Electronic Proximity® Sensing Technology Lavatory Faucets

HDF
COMMERCIAL



590-PA Series

- Deck mount, single hole installation with anti-rotation pin

☐ 590-PALGHDF (Battery)

591-PA Series

- 4" (102 mm) centers
- Coverplate with anti-rotation pin

☐ 591-PALGHDF (Battery)

592-PA Series

- 8" (203 mm) centers
- Coverplate with anti-rotation pin

☐ 592-PALGHDF (Battery)

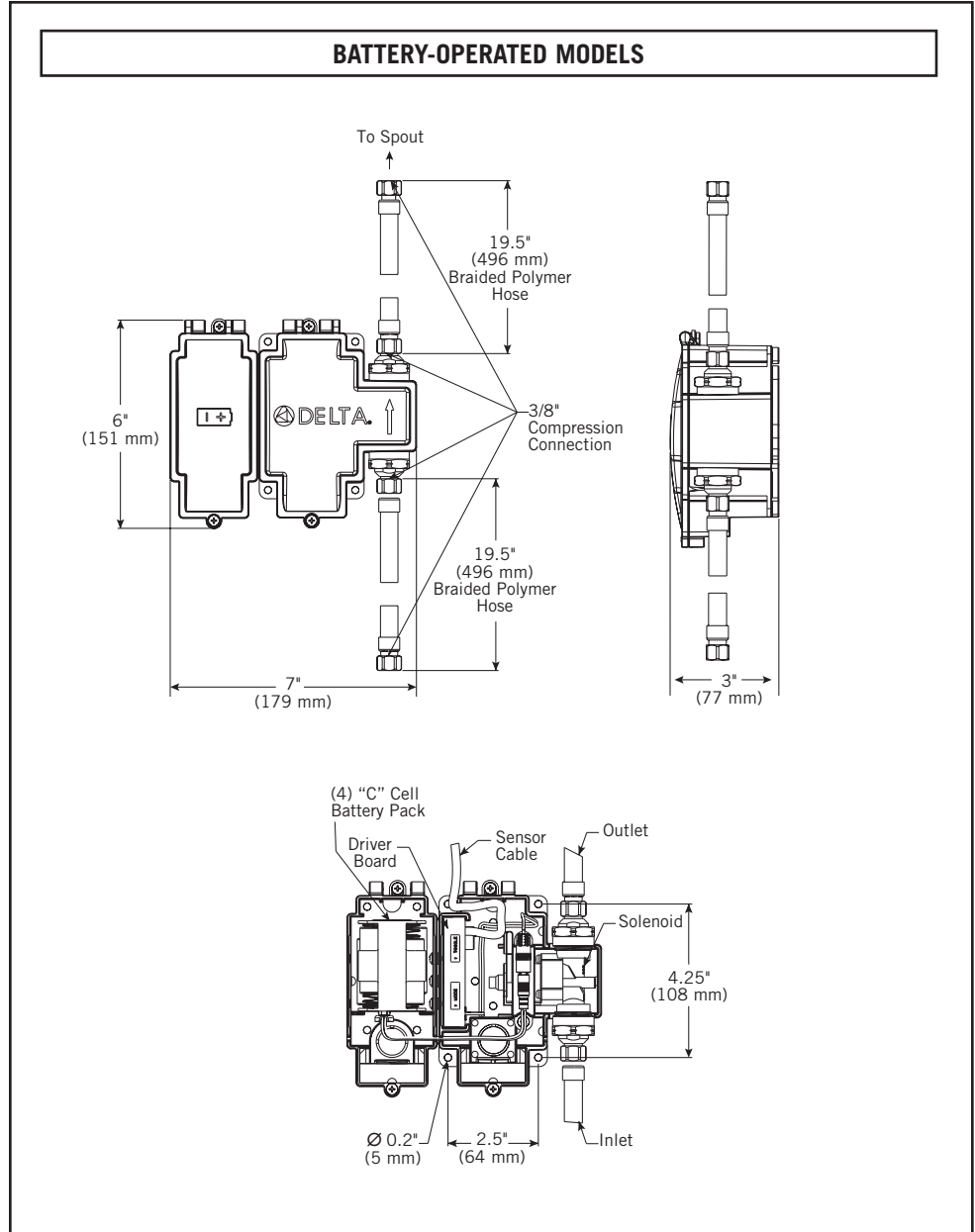
OPERATION:

- Hands free (touchless) operation.
- No visible sensor, the spout is the sensor.
- Water flows when sensing is activated.
- Water flow stops upon de-activation of sensing.
- Adjustable sensing distance, factory set to approximately 3" (76 mm).
- Low battery audible beep (for battery models only) will activate after faucet shuts off when low battery condition exists.
- Adjustable auto shut off feature. Factory set to 45 seconds.
- Metering mode with selectable flow times of 7 seconds to 4 minutes, factory set off.
- Periodic Rinse feature, time adjustable in 6 hour increments up to 2 days. Selectable rinsing time from 10 to 180 seconds. Factory set off.

NOTE 1: Designed for routine 180°F (82°C) disinfection cycles up to 10 minutes.

NOTE 2: Use only Delta® supplied cable sets. Using non-Delta® cables, cutting or splitting any components will void the warranty.

NOTE 3: Proximity® models not for use on enamel covered metal sinks or metal counter tops.



AVAILABLE OPTIONS FOR FIELD CONVERSION

☐ 060651A

3 Position Switch

See DSP-ELACC for detailed specification.

ACCESSORIES

061256A

36" Sensor Cable Extension

Note: Measurements may vary ± 6mm (0.25")

Batteries included on all battery models.
Refer to www.specselect.com for individual models.

Flow Rates are at 60 PSI.
Note: Use all pages as product submittal sheets.

Delta reserves the right (1) to make changes in specifications and materials, and (2) to change or discontinue models, both without notice or obligation. Dimensions are for reference only. See current full-line price book or www.specselect.com for finish options and product availability.

DSP-590-PAHDF Rev. A

Electronic Proximity® Sensing Technology Lavatory Faucets

HDF
COMMERCIAL

DELTA

590-PA Series

- Deck mount, single hole installation with anti-rotation pin

☐ **590-PALGHDF-PI** (Plug-in)

591-PA Series

- 4" (102 mm) centers
- Coverplate with anti-rotation pin

☐ **591-PALGHDF-PI** (Plug-in)

592-PA Series

- 8" (203 mm) centers
- Coverplate with anti-rotation pin

☐ **592-PALGHDF-PI** (Plug-in)

OPERATION:

- Hands free (touchless) operation.
- No visible sensor, the spout is the sensor.
- Water flows when sensing is activated.
- Water flow stops upon de-activation of sensing.
- Adjustable sensing distance, factory set to approximately 3" (76 mm).
- Adjustable auto shut off feature. Factory set to 45 seconds.
- Metering mode with selectable flow times of 7 seconds to 4 minutes, factory set off.
- Periodic Rinse feature, time adjustable in 6 hour increments up to 2 days. Selectable rinsing time from 10 to 180 seconds. Factory set off.

NOTE 1: Designed for routine 180°F (82°C) disinfection cycles up to 10 minutes.

NOTE 2: Use only Delta® supplied cable sets. Using non-Delta® cables, cutting or splitting any components will void the warranty.

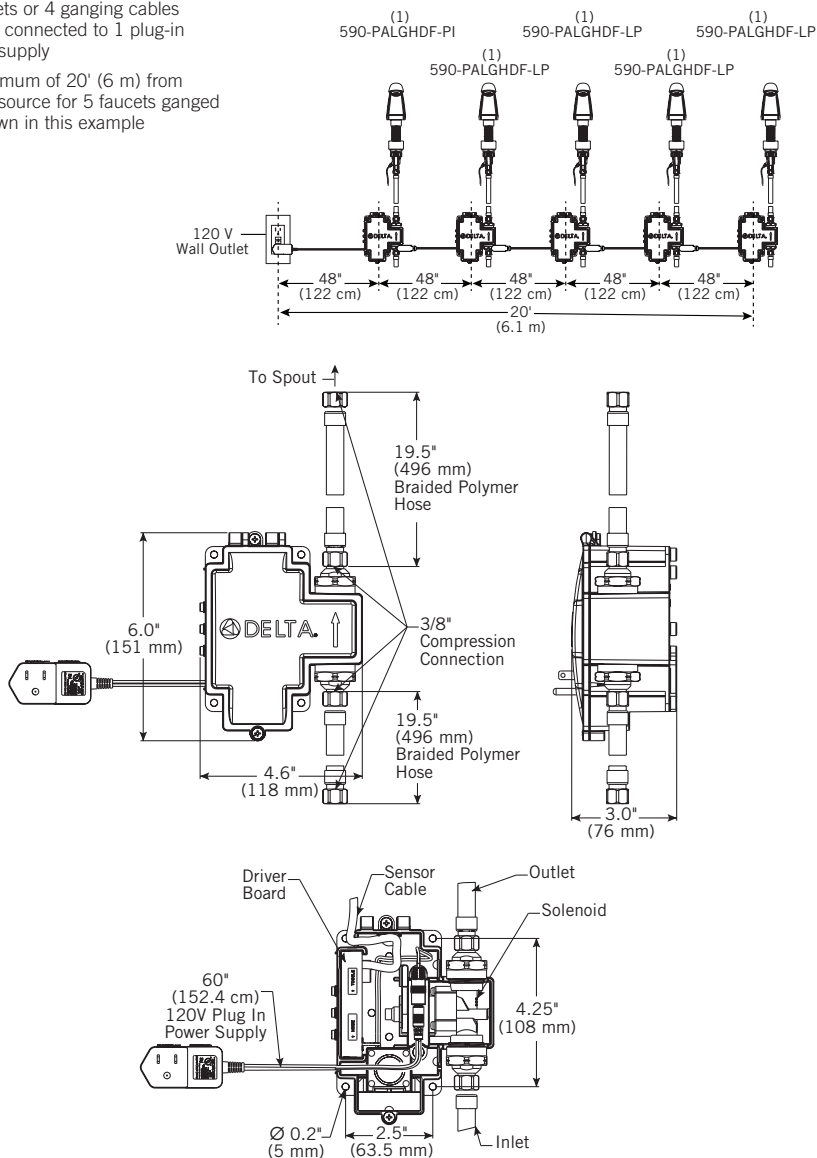
NOTE 3: Proximity® models **not** for use on enamel covered metal sinks or metal counter tops.

PLUG-IN MODELS

PLUG-IN AND LESS POWER FAUCET CONFIGURATION

- A maximum combination of 5 faucets or 4 ganging cables can be connected to 1 plug-in power supply
- A maximum of 20' (6 m) from power source for 5 faucets ganged as shown in this example

EXAMPLE OF A BANK OF 5 FAUCETS GANGED:
(1) 590-PALGHDF-PI, (4) 590-PALGHDF-LP



AVAILABLE OPTIONS FOR FIELD CONVERSION

☐ **063268A**

Hardwire with Battery Backup

See **DSP-BBBox** for detailed specification.

☐ **060651A**

3 Position Switch

See **DSP-ELACC** for detailed specification.

Note: Measurements may vary ± 6mm (0.25")

ACCESSORIES

061256A	36" Sensor Cable Extension
063266A*	Plug-in Power Supply (60") 6 VDC
063272A*	Ganging/Splitter Cable (60")

*Note: Maximum combination of 5 faucets and 4 ganging cables can be connected to 1 plug-in power supply.

Refer to www.specselect.com for individual models.

Flow Rates are at 60 PSI.
Note: Use all pages as product submittal sheets.

DSP-590-PAHDF Rev. A

Delta reserves the right (1) to make changes in specifications and materials, and (2) to change or discontinue models, both without notice or obligation. Dimensions are for reference only. See current full-line price book or www.specselect.com for finish options and product availability.

Electronic Proximity® Sensing Technology Lavatory Faucets

HDF
COMMERCIAL

DELTA

590-PA Series

- Deck mount, single hole installation with anti-rotation pin

❑ **590-PALGHDF-LP** (Less Power)

591-PA Series

- 4" (102 mm) centers
- Coverplate with anti-rotation pin

❑ **591-PALGHDF-LP** (Less Power)

592-PA Series

- 8" (203 mm) centers
- Coverplate with anti-rotation pin

❑ **592-PALGHDF-LP** (Less Power)

OPERATION:

- Hands free (touchless) operation.
- No visible sensor, the spout is the sensor.
- Water flows when sensing is activated.
- Water flow stops upon de-activation of sensing.
- Adjustable sensing distance, factory set to approximately 3" (76 mm).
- Adjustable auto shut off feature. Factory set to 45 seconds.
- Metering mode with selectable flow times of 7 seconds to 4 minutes, factory set off.
- Periodic Rinse feature, time adjustable in 6 hour increments up to 2 days. Selectable rinsing time from 10 to 180 seconds. Factory set off.

NOTE 1: Designed for routine 180°F (82°C) disinfection cycles up to 10 minutes.

NOTE 2: Use only Delta® supplied cable sets. Using non-Delta® cables, cutting or splitting any components will void the warranty.

NOTE 3: Proximity® models not for use on enamel covered metal sinks or metal counter tops.

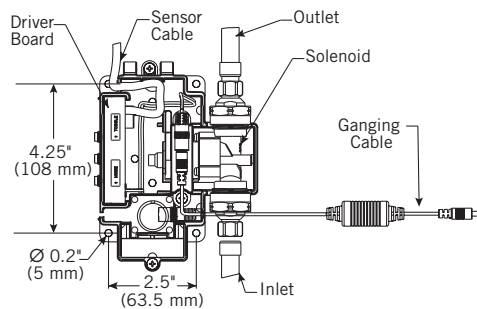
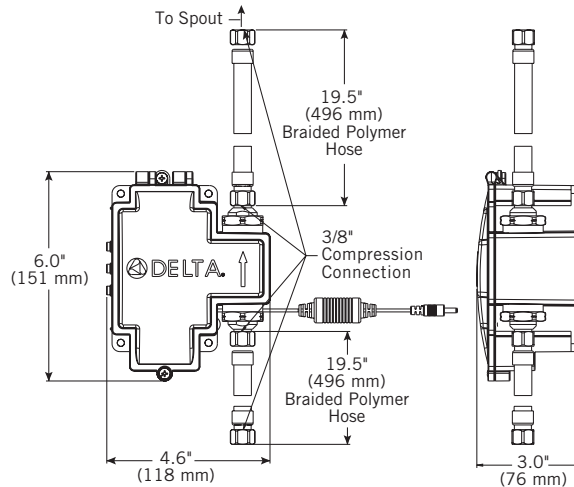
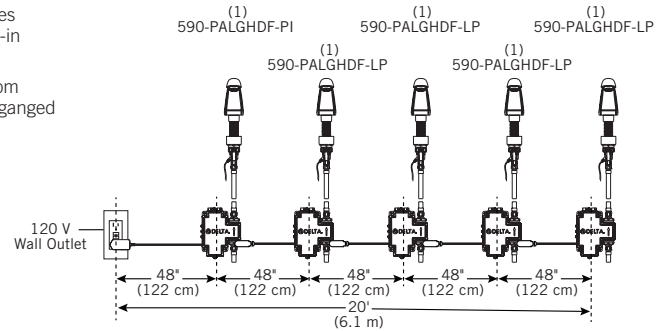
NOTE 4: Less Power (LP) models must be used with Plug-in (PI) model **ONLY**.

LESS POWER MODELS

PLUG-IN AND LESS POWER FAUCET CONFIGURATION

- A maximum combination of 5 faucets or 4 ganging cables can be connected to 1 plug-in power supply
- A maximum of 20' (6 m) from power source for 5 faucets ganged as shown in this example

EXAMPLE OF A BANK OF 5 FAUCETS GANGED:
(1) 590-PALGHDF-PI, (4) 590-PALGHDF-LP



AVAILABLE OPTIONS FOR FIELD CONVERSION

❑ **063268A**

Hardwire with Battery Backup

See **DSP-BBB** for detailed specification.

❑ **060651A**

3 Position Switch

See **DSP-ELACC** for detailed specification.

ACCESSORIES

061256A	36" Sensor Cable Extension
063266A*	Plug-in Power Supply (60") 6 VDC
063272A*	Ganging/Splitter Cable (60")

Note: Measurements may vary ± 6mm (0.25")

*Note: Maximum combination of 5 faucets and 4 ganging cables can be connected to 1 plug-in power supply.

Refer to www.specselect.com for individual models.

Flow Rates are at 60 PSI.
Note: Use all pages as product submittal sheets.

Delta reserves the right (1) to make changes in specifications and materials, and (2) to change or discontinue models, both without notice or obligation. Dimensions are for reference only. See current full-line price book or www.specselect.com for finish options and product availability.

DSP-590-PAHDF Rev. A