



Pre-Rinse Faucets

Add-on Faucet with 8" tubular swing spout w/1.5 US Gpm (5.7L/min) non-vandal resistant flow control aerator (CER-TECK)

Model No: 55C1090

COMPLIES WITH:

- CSA certified
- Complies to ASME A112.18.1/CSA B125.1
- For commercial use only
- ♿ Handle meet ADA compliance to ICC/ANSI A117.1
- Verified compliant with 0.25% weighted average Pb content regulations
- (Contact Delta Representative for State and/or Local Approvals)

SPECIFICATION:

- Add-on Faucet with 8" tubular swing spout w/1.5 US Gpm (5.7L/min) non-vandal resistant flow control aerator (CER-TECK)
- Spout: S5 - 203mm (8") Tubular Swing Spout(S5)

OPERATION:

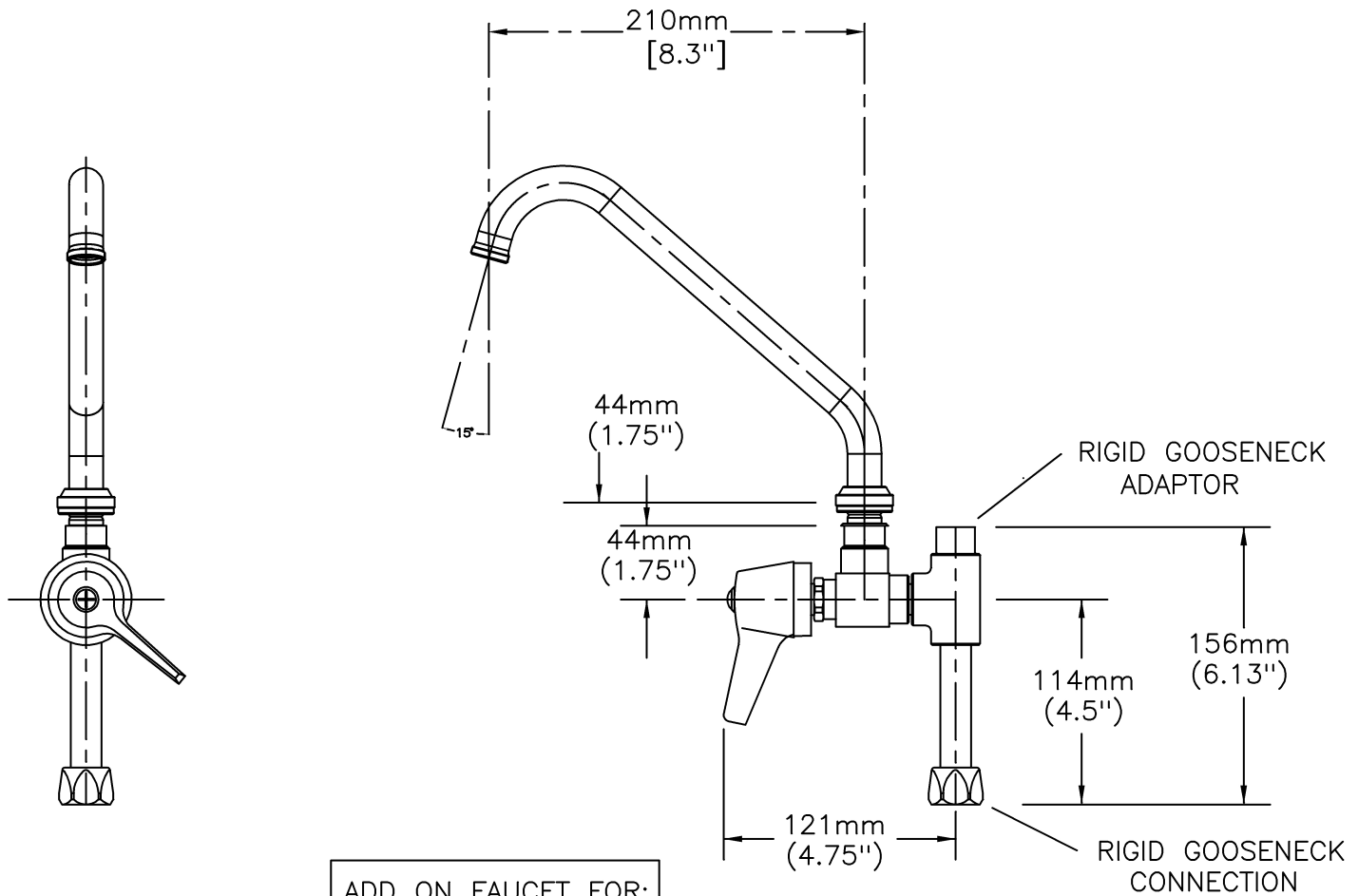
- Not Available

(Dimensional drawing on following page)

Delta reserves the right (1) to make changes to specifications and materials, and (2) to change or discontinue models, both without notice or obligation. Dimensions are for reference. Measurement may vary plus or minus 6mm(0.25"). Mounting locations are suggested only. Check with local codes for requirements in your area. This spec was produced May 17, 2021.

Delta Faucet Company - 55 East 111th St. - Indianapolis, Indiana, USA 46280 - (317) 848-1812
Delta Faucet Canada - 395 Matheson Blvd E - Mississauga, Ontario, Canada L4Z 2H2 - (905) 712-3030

Model No: 55C1090



ADD ON FAUCET FOR:
 060289A
 55T1213
 55T1313
 55T1513

Delta reserves the right (1) to make changes to specifications and materials, and (2) to change or discontinue models, both without notice or obligation. Dimensions are for reference. Measurement may vary plus or minus 6mm(0.25"). Mounting locations are suggested only. Check with local codes for requirements in your area. This spec was produced May 17, 2021.