

# Cast Lavatory Wastes

**TECK**  
COMMERCIAL

**DELTA**

## SPECIFICATION: (EXAMPLE)

Chrome plated, open grid, **cast brass** lavatory waste strainer.

### 33T260

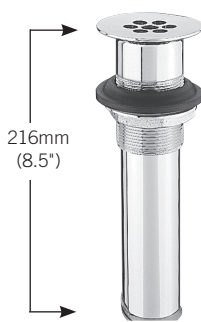
32mm (1-1/4") size P.O. plug with overflow holes, 17 gauge, 19 hole grid pattern.

### 33T260-1

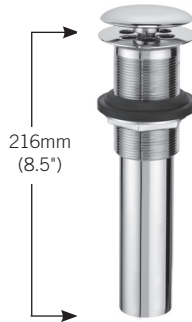
32mm (1-1/4") size C.O. plug less overflow holes, 17 gauge, 7 hole grid pattern.

### 33T260-1DC

Same as 33T260-1 but with drain cover. Patented



33T260-1



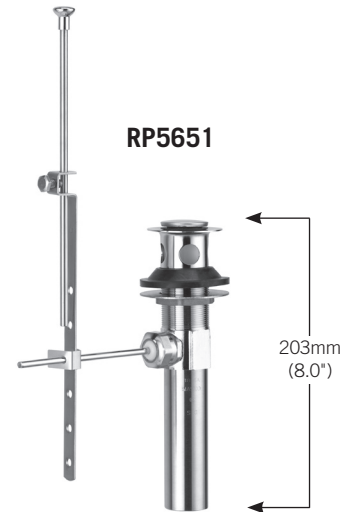
33T260-1DC



## SPECIFICATION: (EXAMPLE)

### RP5651

32mm (1-1/4") size, chrome-plated **metal** mechanical lift waste pop-up. Field installable for removal or non-removal drain plug.



RP5651

# Cast Wheelchair Lavatory Wastes

**TECK**  
COMMERCIAL

**DELTA**

## SPECIFICATION: (EXAMPLE) ♿

32mm (1-1/4") size, polished chrome plated, offset open grid, **cast brass** lavatory waste strainer.

### 33T290

P.O. plug with overflow holes, 17 gauge, 127mm (5.0") centers (See A), 19 hole grid pattern.

### 33T290-1

C.O. plug less overflow holes, 17 gauge, 127mm (5.0") centers (See A), 7 hole grid pattern.

### 33T290-1DC

Same as 33T290-1 but with drain cover. Patented

### 33T290-1



## SPECIFICATION: (EXAMPLE) ♿

32mm (1-1/4") size, polished chrome plated, offset chain and rubber stopper, **cast brass** lavatory waste strainer.

### 33T295

P.O. plug with overflow holes 127mm (5.0") centers. (See A)

### 33T290-1DC



### 33T295



## APPROVALS:

- CSA certified
- Complies to ASME A112.18.2/CSA B125.2
- ♿ Indicates compliance to ICC/ANSI A117.1

(Contact Delta Representative for State and/or Local Approvals.)

### Engineer/Architect Approval

Model Specified:

Approval:

Date:



Note: Measurements may vary ± 6mm (0.25")

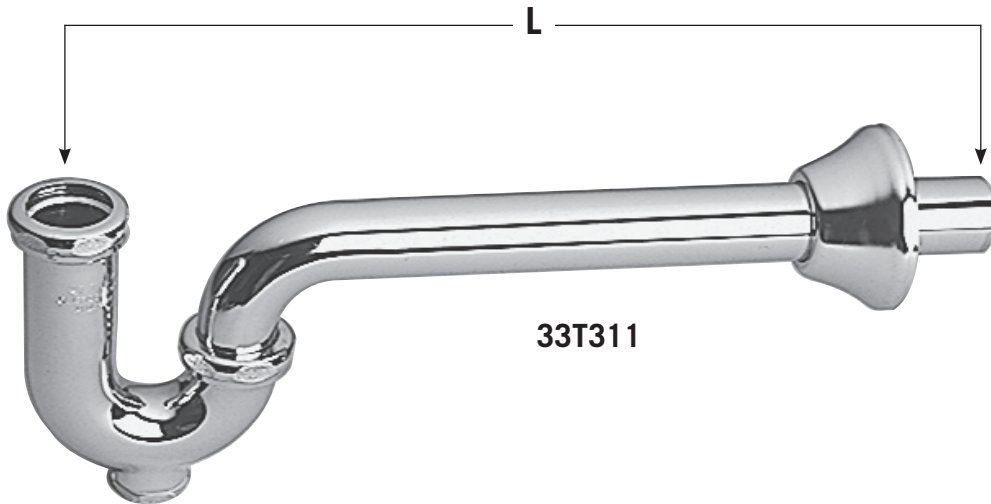
Refer to [www.specselect.com](http://www.specselect.com) for individual models.

Note: Use this page front and back as a product submittal sheet.

**SPECIFICATION: (EXAMPLE)**

Polished chrome plated **cast brass body**, adjustable "P" trap

- ❑ **33T311**  
32mm (1-1/4") size with  
cleanout plug, 17 gauge  
L = 368mm (14.5")
- ❑ **33T301**  
32mm ( 1-1/4") size less  
cleanout plug, 17 gauge  
L = 368mm (14.5")
- ❑ **33T360**  
38mm (1-1/2") size with  
cleanout plug, 17 gauge  
L = 292mm (11.5")



**APPROVALS:**

- CSA certified
  - Complies to ASME A112.18.2/CSA B125.2
- (Contact Delta Representative for State and/or Local Approvals.)

**Engineer/Architect Approval**

Model Specified:

Approval:

Date:

Note: Measurements may vary  $\pm$  6mm (0.25")