



## Sink Faucet Wallmount

8" Wallmount LESS Integral Check Stops -CER-TECK®

**Model No: 28C4934**

### COMPLIES WITH:

- CSA certified.
- Complies to ASME A112.18.1/CSA B125.1
- For commercial use only
- Verified compliant with 0.25% weighted average Pb content regulations
- (Contact Delta Representative for State and/or Local Approvals)



### NOTES:

28T4 - 8" Wallmount LESS Integral Check Stops - TUF-TECK®

### SPECIFICATION:

- 203 mm (8") centers cast brass wallmount sink faucet
- Centers adjustable from 7.75" to 8.25" unless AC option selected
- Two handle
- Polished chrome plated finish
- LESS integral stops
- CER-TECK® 1/4 turn ceramic disk cartridges
- Spout#: 9 - Gooseneck spout-6.0" spout reach - 10.4" height (unmounted)- Standard rigid/swivel field installation unless LS Limited swing option selected- Vandal resistant .090" wall thickness-(R4)
- Outlet#: 3 - Vandal Resistant Aerator Outlet- 1.5 GPM (5.7 L/min) Flow Rate at 60 psi- pressure compensating
- Handle#: 4 - 102 mm (4") Blade Handles- ADA Compliant-Sanitary Hoods- Metal-Color indexed-Vandal resistant screws

### OPERATION:

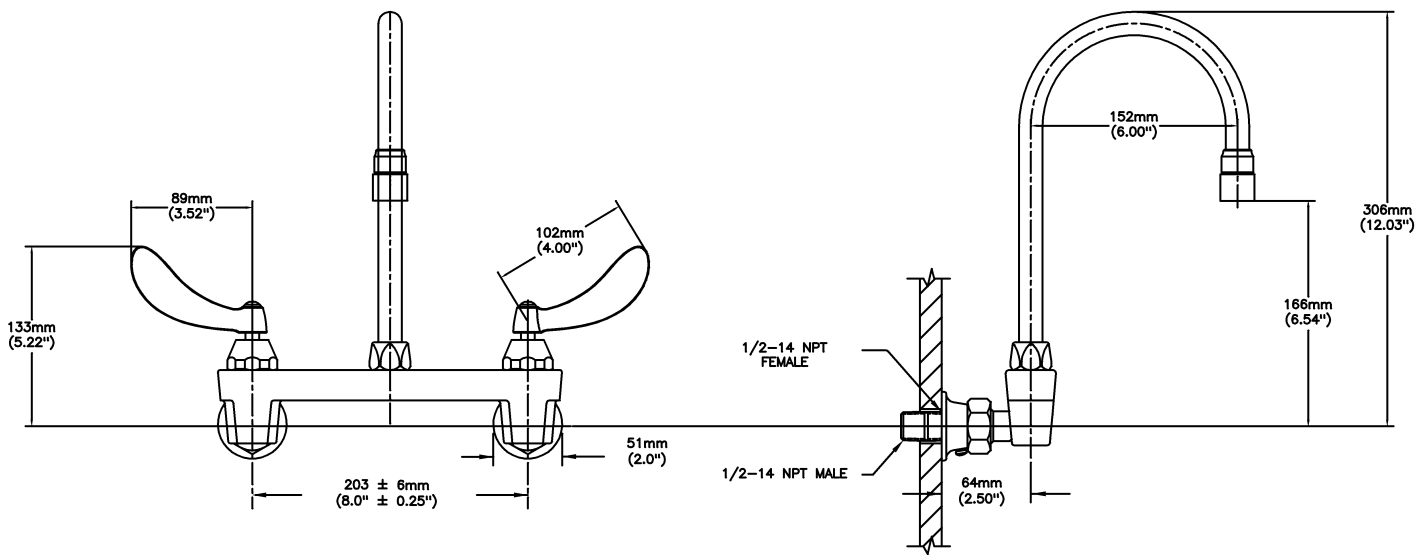
- Not Available

***(Dimensional drawing on following page)***

Delta reserves the right (1) to make changes to specifications and materials, and (2) to change or discontinue models, both without notice or obligation. Dimensions are for reference. Measurement may vary plus or minus 6mm(0.25"). Mounting locations are suggested only. Check with local codes for requirements in your area. This spec was produced May 13, 2021.

Delta Faucet Company - 55 East 111th St. - Indianapolis, Indiana, USA 46280 - (317) 848-1812  
Delta Faucet Canada - 395 Matheson Blvd E - Mississauga, Ontario, Canada L4Z 2H2 - (905) 712-3030

Model No: 28C4934



INLETS: 1/2-14 NPT (FEMALE)  
OR 1/2-14 NPT (MALE) - WITH SUPPLIED NIPPLE

Delta reserves the right (1) to make changes to specifications and materials, and (2) to change or discontinue models, both without notice or obligation. Dimensions are for reference. Measurement may vary plus or minus 6mm(0.25"). Mounting locations are suggested only. Check with local codes for requirements in your area. This spec was produced May 13, 2021.

Delta Faucet Company - 55 East 111th St. - Indianapolis, Indiana, USA 46280 - (317) 848-1812  
Delta Faucet Canada - 395 Matheson Blvd E - Mississauga, Ontario, Canada L4Z 2H2 - (905) 712-3030