

Wallmount Sink Faucets Less Integral Stops

TECK[®]
COMMERCIAL

DELTA

SPECIFICATION: (EXAMPLE)

- **CAST BRASS** two handle wallmount sink faucet
- Less integral stops
- 203mm (8") centers, polished chrome plated finish
- **BRASS** swing spout or 3/8" IPS **BRASS PIPE** Rigid/Swivel Gooseneck Spout
- ADA compliant color indexed metal lever or blade handles with vandal resistant screws
- **CER-TECK**[®] 1/4 turn ceramic structures and... with... (add spout required)
with... (add outlet required)
with... (add handle required)
with... adjustable centers (add Suffix **-AC** if required – see back page)

28C4443



28C4924



Engineer/Architect Approval

Model Specified:

Approval:

Date:

MODEL NUMBER EXAMPLE:

Configurations vary, see below for availability.

28C4443-AC

Variation

- 2 = 8" (203 mm) tubular spout
- 4 = 11" (279 mm) tubular spout
- 9 = 6" (152 mm) gooseneck spout

Outlet

- 2 = Vandal resistant laminar outlet 1.5 gpm (5.7 L/min)
- 3 = Vandal resistant aerator 1.5 gpm (5.7 L/min)
- 4 = Standard aerator outlet 1.5 gpm (5.7 L/min)

Handle

- 3 = Hooded lever
- 4 = Blade w/sanitary hood

AC = 5.5" to 10.5" adjustable centers

R* = Optional gooseneck spout dimensions:






R2 = 4.5" long

R7 = 9" long

S* = Optional swing spout dimensions:

S3 = 6" Tubular

S8 = 14" Tubular

AVAILABLE MODELS		VARIATIONS		
		2	4	9
		Tubular S5 Spout 8" (203 mm) 	Tubular S7 Spout 11" (279 mm) 	Gooseneck R4 Spout 6" (152 mm) 
HANDLES	3 Hooded Lever 3" (76 mm) 	28C4233 28C4233-S3 28C4233-S8 28C4243 28C4243-AC 28C4243-S8	28C4423 28C4433 28C4443 28C4443-AC	28C4933 28C4933-R7 28C4943 28C4943-R2
	4 Blade with Sanitary Hood 4" (102 mm) 	28C4224 28C4234 28C4244	28C4424 28C4434 28C4444	28C4924 28C4934 28C4934-AC-R2 28C4934-R2 28C4934-R7 28C4944

Refer to www.specselect.com for individual models.

Note: Use this page front and back as a product submittal sheet.

Flow Rates are at 60 PSI.

Delta reserves the right (1) to make changes in specifications and materials, and (2) to change or discontinue models, both without notice or obligation. Dimensions are for reference only. See current full-line price book or www.specselect.com for finish options and product availability.


DSP-28C4 Rev. E

Wallmount Sink Faucets Less Integral Stops

TECK
COMMERCIAL

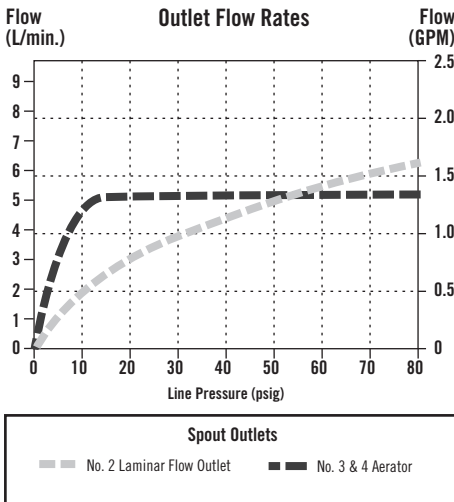
DELTA

APPROVALS:

- CSA certified
- Complies to ASME A112.18.1/CSA B125.1
- For commercial use only
-  Indicates compliance to ICC/ANSI A117.1
- Verified compliant with 0.25% weighted average Pb content regulations

(Contact Delta Representative for State and/or Local Approvals.)

FLOW RATE vs PRESSURE



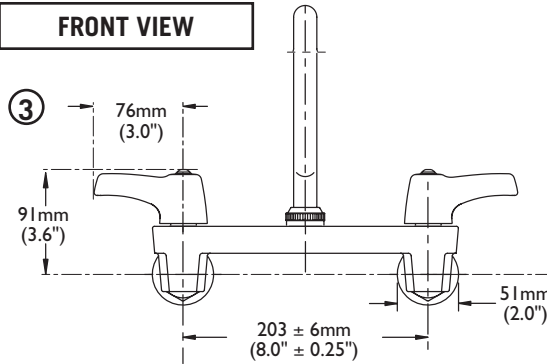
FOR OPTIONAL RIGID/SWIVEL & LIMITED SWING SPOUTS

See DSP-R/S for detailed specification.

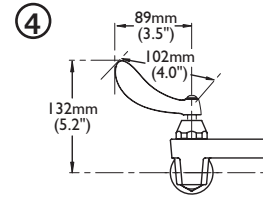
FOR OPTIONAL SWING SPOUTS

See DSP-S/S for detailed specification.

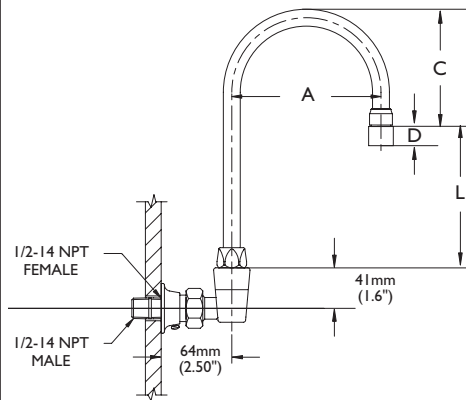
FRONT VIEW



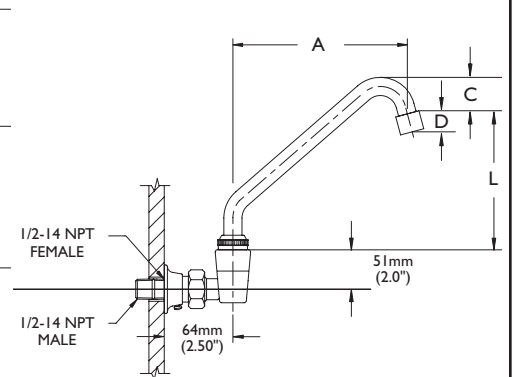
INLETS: 1/2-14 NPT (FEMALE)
OR 1/2-14 NPT (MALE) - WITH SUPPLIED NIPPLE



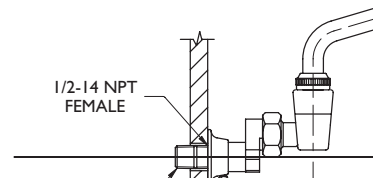
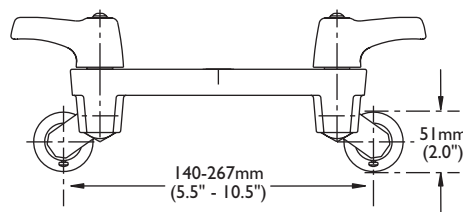
GOOSENECK SPOUTS



SWING SPOUTS



ADJUSTABLE CENTERS (AC) or separate order of 063105A



GOOSENECK SPOUT ASSEMBLIES

SPOUT NO.	SPOUT/OUTLET	"A"		"C"		"L"	
		mm	in.	mm	in.	mm	in.
9	Gooseneck-Standard (R4)	152	6	124	4.9	146	5.8

SWING SPOUT ASSEMBLIES

SPOUT NO.	SPOUT/OUTLET	"A"		"C"		"L"	
		mm	in.	mm	in.	mm	in.
2	8" Tubular Spout (S5)	210	8.25	51	2.0	147	5.8
4	11" Tubular Spout (S7)	303	11.94	48	1.9	100	3.95

OUTLET NO.	"D"	
	mm	in.
2	18	0.69
3	18	0.69
4	17	0.67

INLETS - 1/2" FIP/MIP

Note: Measurements may vary ± 6mm (0.25")

Refer to www.specselect.com for individual models.

Note: Use this page front and back as a product submittal sheet.

DSP-28C4 Rev. E

Delta reserves the right (1) to make changes in specifications and materials, and (2) to change or discontinue models, both without notice or obligation. Dimensions are for reference only. See current full-line price book or www.specselect.com for finish options and product availability.