



Sink Faucet Deckmount

8" deck LESS hose and spray - CER-TECK® ceramic structures

Model No: 27C2942-R7

COMPLIES WITH:

- CSA certified
- Complies to ASME A112.18.1/CSA B125.1
- Verified compliant with 0.25% weighted average Pb content regulations
- CSA certified.
- Complies to ASME A112.18.1/CSA B125.1
- Handles No. 2, 3, 4, and 5 Indicates compliance to ICC/ANSI A117.1
- (Contact Delta Representative for State and/or Local Approvals)



NOTES:

27T2 - 8" Deck LESS hose and spray - TUF-TECK® compression structures

SPECIFICATION:

- Below deckmount sink faucet
- 203 mm (8") centers, two handle
- Polished chrome plated finish
- Cast brass bodies
- Metal hold-down package
- CER-TECK® 1/4 turn ceramic structures
- CER-TECK® ceramic structures
- Spout: R7 - Gooseneck spout-9.0" spout reach -12.7" height(unmounted)- Standard rigid/swivel field installation unless LS Limited swing option selected-Vandal resistant.090" wall thickness
- Outlet#: 4 - Standard 1.5 GPM (5.7 L/Min) Flow Control Aerator
- Handle#: 2 - 102 mm (4") Hooded Blade Handles-ADA compliant-Metal-Color indexed-Vandal resistant screws

OPERATION:

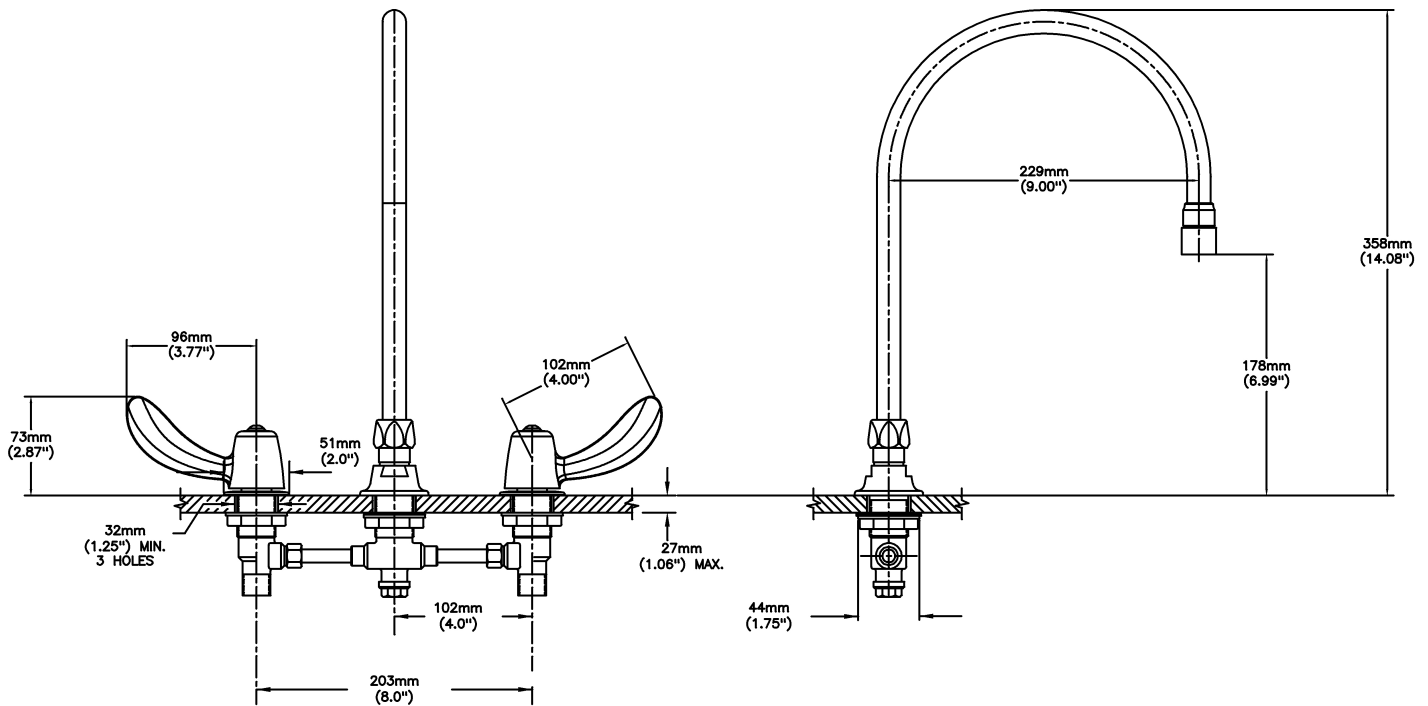
- Not Available

(Dimensional drawing on following page)

Delta reserves the right (1) to make changes to specifications and materials, and (2) to change or discontinue models, both without notice or obligation. Dimensions are for reference. Measurement may vary plus or minus 6mm(0.25"). Mounting locations are suggested only. Check with local codes for requirements in your area. This spec was produced July 13, 2021.

Delta Faucet Company - 55 East 111th St. - Indianapolis, Indiana, USA 46280 - (317) 848-1812
Delta Faucet Canada - 395 Matheson Blvd E - Mississauga, Ontario, Canada L4Z 2H2 - (905) 712-3030

Model No: 27C2942-R7



INLET FOR 3/8" OR 1/2" FLEXIBLE RISER
OR 1/2-14 NPSM COUPLING NUT (NOT SUPPLIED)

Delta reserves the right (1) to make changes to specifications and materials, and (2) to change or discontinue models, both without notice or obligation. Dimensions are for reference. Measurement may vary plus or minus 6mm(0.25"). Mounting locations are suggested only. Check with local codes for requirements in your area. This spec was produced July 13, 2021.

Delta Faucet Company - 55 East 111th St. - Indianapolis, Indiana, USA 46280 - (317) 848-1812
Delta Faucet Canada - 395 Matheson Blvd E - Mississauga, Ontario, Canada L4Z 2H2 - (905) 712-3030