




Lavatory Faucets

Single Control Widespread faucet w/Heavy Duty Rigid/Swivel Gooseneck Spout

Model No: 24T2623

COMPLIES WITH:

- CSA certified
- Complies to ASME A112.18.1/CSA B125.1
- For commercial use only
-  Indicates compliance to ICC/ANSI A117.1
- Verified compliant with 0.25% weighted average Pb content regulations
- Outlet options 2 and 7 are EPA WaterSense listed
- (Contact Delta Representative for State and/or Local Approvals)



SPECIFICATION:

- Widespread single control faucet
- 102 to 406mm (4-16") adjustable centers
- Polished chrome plated finish
- Delta washerless stainless steel ball cartridge
- High temperature limit stop
- Metal trim
- 3/8" IPS Brass Pipe Rigid/Swivel Gooseneck spout
- Spout: R2 - Gooseneck spout-4.5" spout reach -Standard rigid/swivel field installation-Vandal resistant .090" wall thickness(R2)
- Outlet#: 2 - Vandal Resistant 1.5 GPM (5.7 L/Min) Laminar w/Agion® Antimicrobial
- Handle#: 3 - 152 mm (6") Lever Blade Handle-Metal- ADA compliant-Color indexed-Vandal resistant with set screw

OPERATION:

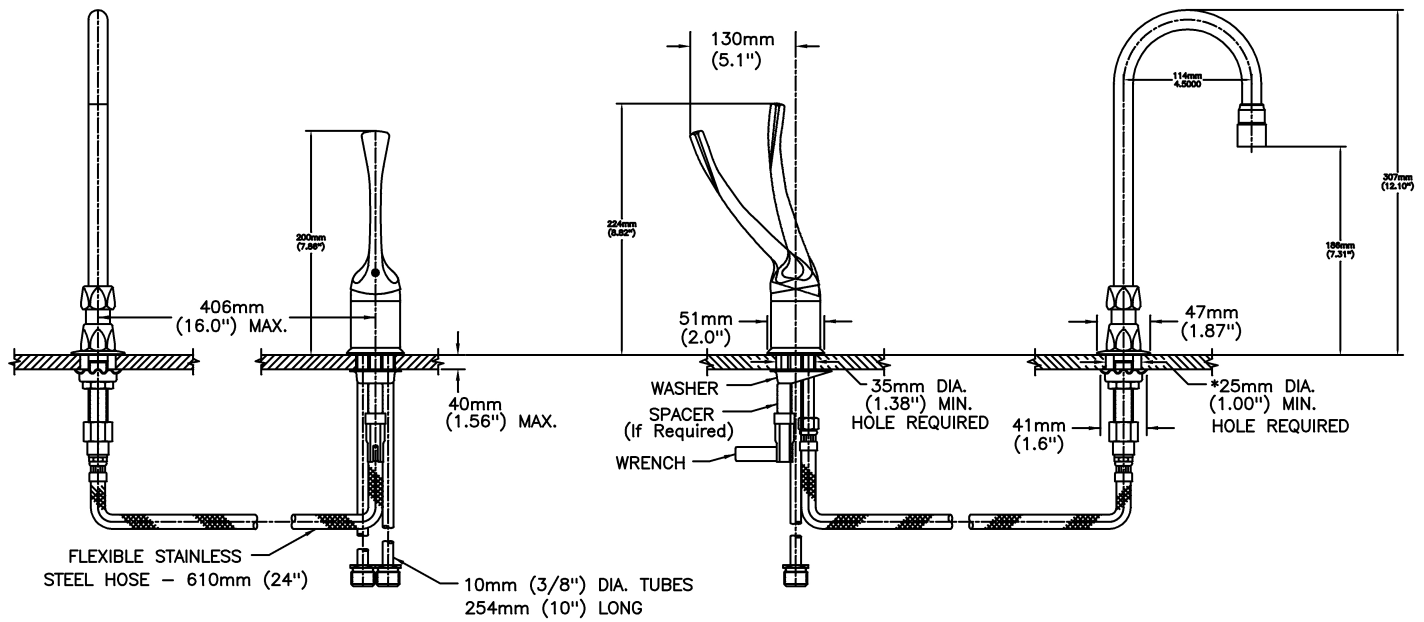
- Not Available

(Dimensional drawing on following page)

Delta reserves the right (1) to make changes to specifications and materials, and (2) to change or discontinue models, both without notice or obligation. Dimensions are for reference. Measurement may vary plus or minus 6mm(0.25"). Mounting locations are suggested only. Check with local codes for requirements in your area. This spec was produced May 12, 2021.

Delta Faucet Company - 55 East 111th St. - Indianapolis, Indiana, USA 46280 - (317) 848-1812
Delta Faucet Canada - 395 Matheson Blvd E - Mississauga, Ontario, Canada L4Z 2H2 - (905) 712-3030

Model No: 24T2623



* SPOUT HOLE 38mm (1.5") MAXIMUM DIAMETER
 INLET FOR 3/8" OR 1/2" FLEXIBLE RISER
 OR 1/2-14 NPSM COUPLING NUT (NOT SUPPLIED)

Delta reserves the right (1) to make changes to specifications and materials, and (2) to change or discontinue models, both without notice or obligation. Dimensions are for reference. Measurement may vary plus or minus 6mm(0.25"). Mounting locations are suggested only. Check with local codes for requirements in your area. This spec was produced May 12, 2021.

Delta Faucet Company - 55 East 111th St. - Indianapolis, Indiana, USA 46280 - (317) 848-1812
 Delta Faucet Canada - 395 Matheson Blvd E - Mississauga, Ontario, Canada L4Z 2H2 - (905) 712-3030