




Electronic Faucets

Deckmount Electronic Gooseneck Faucet
Hardwire Operated
Surface Mount Control Box

Model No: 1500T3370-R35

COMPLIES WITH:

- CSA certified
- Complies to ASME A112.18.1/CSA B125.1
-  Indicates compliance to ICC / ANSI A117.1
- Verified compliant with 0.25% weighted average Pb content regulations
- Patented
- NOTE 1: For optimum performance of this product, we recommend a system pressure between 20 and 80 PSI static. This product will operate up to a maximum of 125 PSI static per ANSI and CSA requirements. However, we do not recommend pressures above 80 PSI. Thermal expansion or leaking pressure reducing valves may require use of expansion tanks or relief valves to ensure your system never exceeds its maximum intended pressure setting.
- NOTE 2: Designed for routine 171°F (77°C) disinfection cycles up to 30 minutes.
- (Contact Delta Representative for State and/or Local Approvals)



NOTES:

Control Box(1500Txxx0) - Supplied as COMPLETE PRODUCT ONLY

SPECIFICATION:

- H2Optics® technology no external adjustments required
- Chrome plated one piece cast main body with integral sensor
- Adjustable sensing range and timeout
- Mixing valve required (order separately)
- Serviceable filter screen upstream of the valve
- Optional 4" Cover plate - 060546A
- Optional 8" Cover plate - 060547A
- Deckmount Electronic Gooseneck Faucet, Hardwire Operated, Surface Mount Control Box
- Spout: R35 - Smooth End Gooseneck spout - 6.0" spout reach - 8.3" height (unmounted) - Standard rigid installation - Vandal resistant .090" wall thickness (R35SE)
- Outlet#: 7 - Smooth Spout End with Laminar Flow Control in Spout Base - 1.5 USGPM (5.7L/min)
- Outlet options 2 and 7 are EPA WaterSense listed
- Supplied as complete product only
- Surface mount housing
- Single Hole Deckmount FIXED Gooseneck Spout (R5) with Integral Sensor in Base

OPERATION:

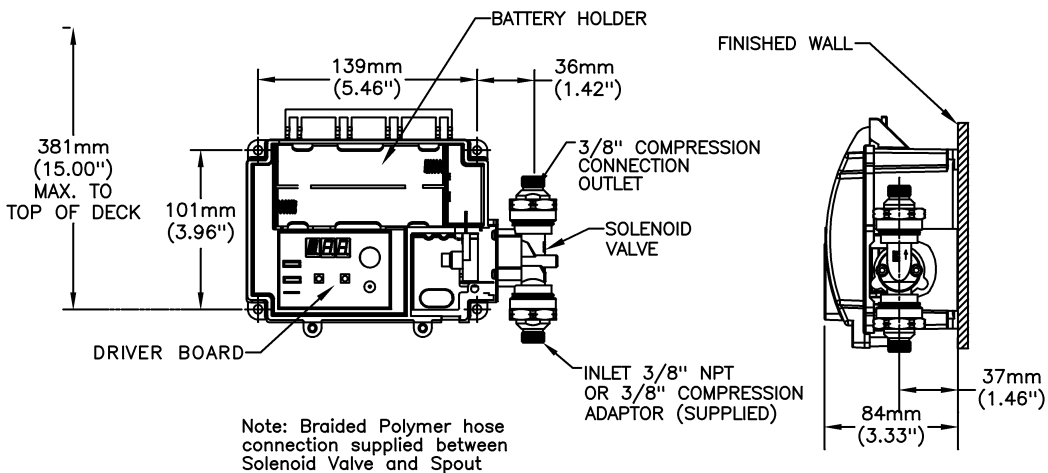
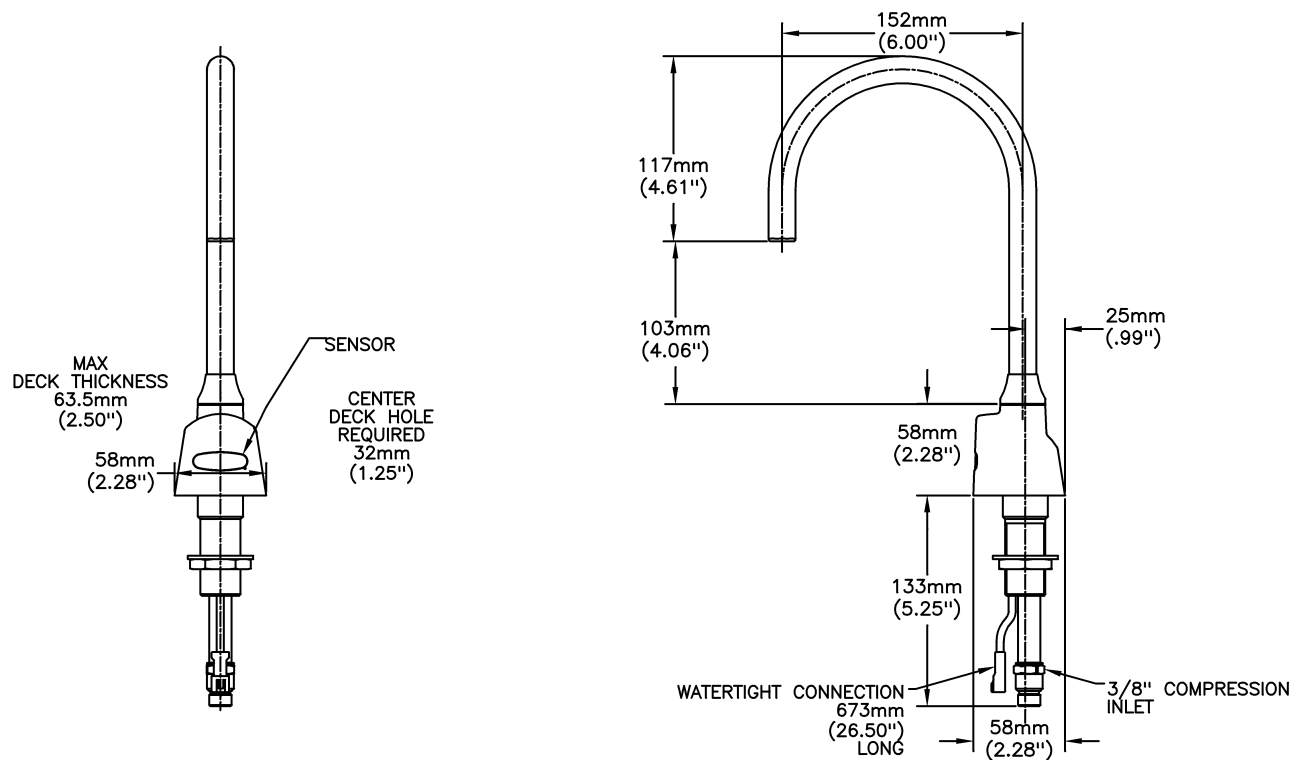
- Hands free (touchless) operation.
- Water flows when sensor is activated.
- Water flow stops upon de-activation of sensor.
- Adjustable auto shut-off feature. Factory set to 45 seconds. Will reset once obstruction is removed.
- Adjustable sensing distance 76 to 381mm (3" to 15") factory set to 229mm (9") (±3.0")
- Periodic Rinse feature, time adjustable in 6 hour increments up to 2 days. Selectable rinsing lengths from 10 to 180 seconds. Factory set off.

(Dimensional drawing on following page)

Delta reserves the right (1) to make changes to specifications and materials, and (2) to change or discontinue models, both without notice or obligation. Dimensions are for reference. Measurement may vary plus or minus 6mm(0.25"). Mounting locations are suggested only. Check with local codes for requirements in your area. This spec was produced April 13, 2021.

Delta Faucet Company - 55 East 111th St. - Indianapolis, Indiana, USA 46280 - (317) 848-1812
Delta Faucet Canada - 395 Matheson Blvd E - Mississauga, Ontario, Canada L4Z 2H2 - (905) 712-3030

Model No: 1500T3370-R35



Delta reserves the right (1) to make changes to specifications and materials, and (2) to change or discontinue models, both without notice or obligation. Dimensions are for reference. Measurement may vary plus or minus 6mm(0.25"). Mounting locations are suggested only. Check with local codes for requirements in your area. This spec was produced April 13, 2021.