



Teck® II Exposed Flushometer

Record model number:

81T2 1-

Valve Type

- 0 = W/C (Water Closet)
- 2 = W/C - 22" outlet tube
- 3 = Urinal
- 6 = W/C - 24" outlet tube
- 7 = W/C - 22" back spud

Trap Primer

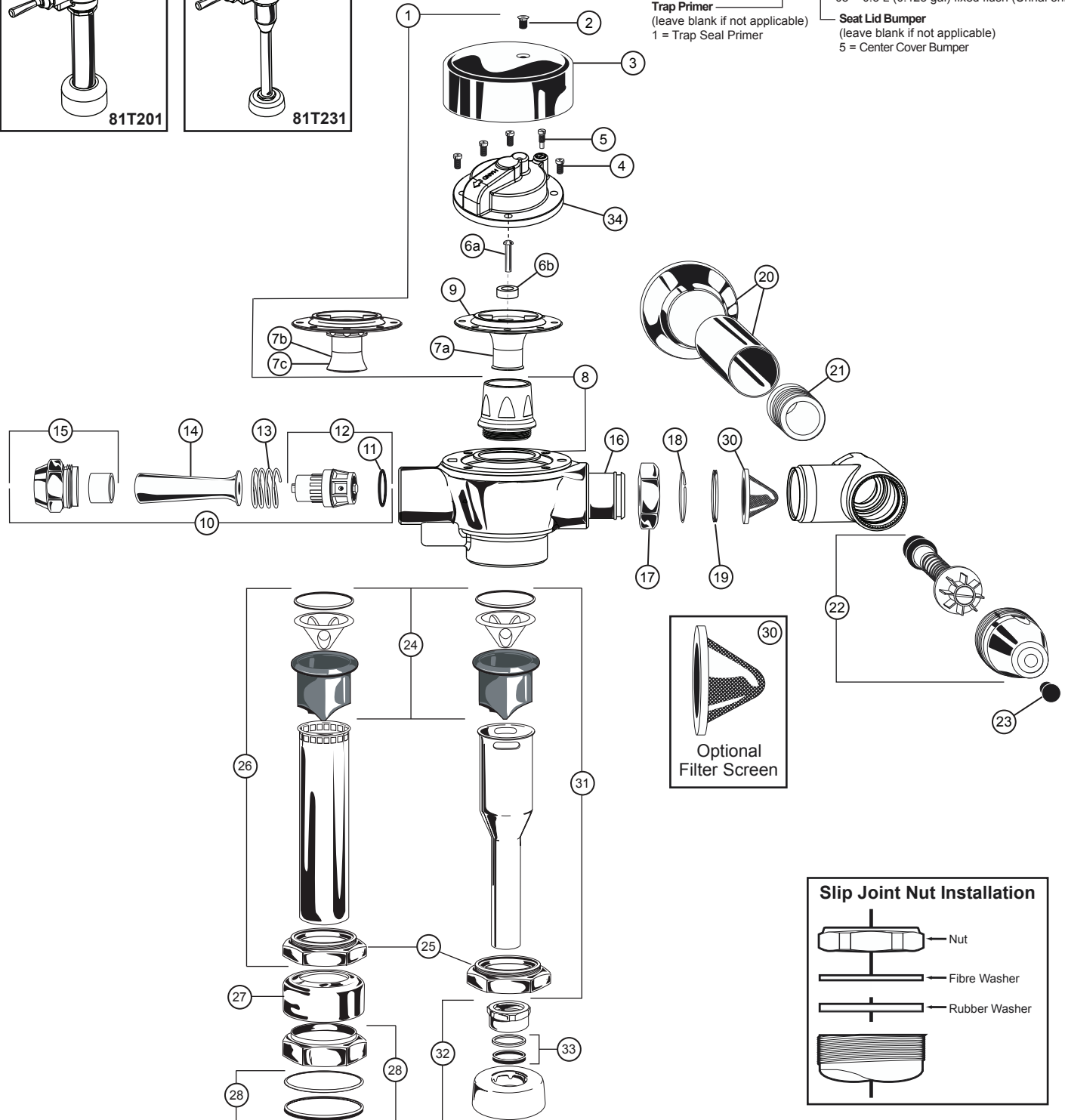
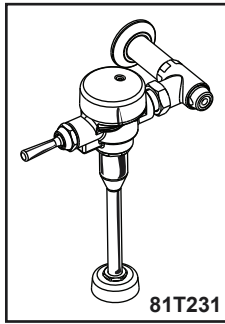
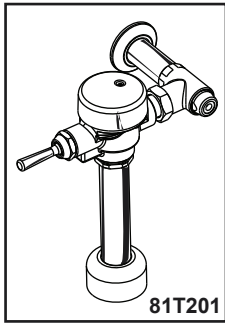
- (leave blank if not applicable)
- 1 = Trap Seal Primer

Alternate Flush Volumes

- (leave blank if not applicable)
- 6 = 6 L (1.6 gal) fixed flush (W/C only)
- 48 = 4.8 L (1.27 gal) fixed flush (W/C only)
- 42 = 4.2 L (1.1 gal) fixed flush (W/C only)
- 19 = 1.9 L (0.5 gal) fixed flush (Urinal only)
- 05 = 0.5 L (0.125 gal) fixed flush (Urinal only)

Seat Lid Bumper

- (leave blank if not applicable)
- 5 = Center Cover Bumper



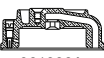
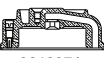

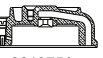
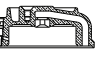
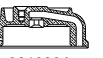
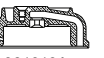




PLEASE LEAVE this M&I Sheet with the owner, maintenance plumber, etc. as items relating to ongoing maintenance suggestions and procedures are included.

Item #	Part #	Description
	060799A	Universal Teck Washer & O-Ring Repair Kit
	061025A	Universal Teck Parts Washer & O-Ring Repair Kit
1	061213A 061214A 061215A	WC Retrofit Kit Complete (includes cover, cap, WC diaphragm/guide assembly & poppet pin) UR Retrofit Kit Complete (includes cover, cap, UR diaphragm/guide assembly & poppet pin) Non Hold Open Retrofit Complete (includes cover, cap, diaphragm/guide assembly & piston) (pre 2011 seat only)
2	060076A* 060441A	Cover Screws & 060441A Bit Package No. 3 Scrulux 8 Drive Bit for above
3	060077A 060505A 061023A	Cover & Screw (for Non-Hold Open Model as shown) Cover with Bumper for Seat Lid Cover, Cap & Screw
4	061024A	Regulating Screw & O-Ring
5	060078A*	Screws for Cast Cap (4/pkg)
6a	060507A*	Poppet Pin Pack (3/pkg) (see Table 1)
6b	062025A**	Washer (3/pkg) (see Table 1)
7a	061323A**	Diaphragm/Guide Assembly Complete - W/C (see Table 1)
7b	061324A**	Diaphragm Guide Assembly for Urinals (See Table 1)
7c	061376A**	Diaphragm/ Polymer Guide Assembly for Urinals (See Table 1)
8	062007A**	Brass Seat with O-ring
9	060079A-MMO*	Diaphragm only (12/pkg)
10	060801A	Universal Teck Handle Replacement Kit (for all exposed Teck Flushvalves)
11	060059A*	O-Ring Package
12	060810A	Cage & O-Ring Assembly
13	060074A*	Spring Package
14	060693A	Oscillating Handle
15	060825A	Handle Gland & Sleeve
16	060506A 060354A 060355A	Standard Adjustable Tail CP 1" Longer Adjustable Tail CP 2" Longer Adjustable Tail CP
17	060735A	Union Nut CP
18	060692A	Retaining Ring
19	060082A*	Adjustable Tail O-Ring Package (20/pkg)
20	060504A	S/S Wall Flange & Cover Tube
21	060697A 060694A 060764A	1" Copper Sweat Inlet Adaptor ¾" Copper Sweat Inlet Adaptor ¾" FIP Inlet Adaptor
22	060843A 060844A 060859A	Retrofit Check Stem Unit, Capnut & Button Complete Seat Washer, Spring, Button & O-Ring Kit Angle Stop with Union Nut & Tail Complete
23	060081A*	Plug Button Package (12/pkg)
24	060785A	Vacuum breaker sleeve complete
25	060094A	Coupling Ring
26	060782A 060783A 060781A	1-1/2" x 10" (38 mm x 254 mm) V.B., coupling ring and tube complete 1-1/2" x 22-3/4" (38 mm x 578 mm) V.B., coupling ring and tube complete 1½" x 10" VB, w/Trap Seal Primer Tee Complete
27	060004A	1½" Spud Flange
28	060778A	1½" Rough Coupling Nut & Washers
29	060083A*	1½" Slip Joint Washers (12/pkg)
30	060344A*	Filter Screen Kit (12/pkg) (optional)
31	060784A	¾" x 11½" VB, Ring & Tube Complete (for 81T231)
32	060463A	¾" Coupling Nut, ¾" Washers & ¾" Spud Flange
33	060049A	¾" (19mm) Rubber and fiber washers (12/pkg)
34	061336A 061337A 061375A 061338A 061339A 061340A 061019A	Cap & Regulating Screw Assembly for 0.5L (0.125 gal) fixed urinals (see Table 1) Cap & Regulating Screw Assembly for 1.9L (0.5 gal) fixed urinals (see Table 1) Cap & Regulating Screw Assembly for 4.2L (1.1 gal) fixed water closets (see Table 1) Cap & Regulating Screw Assembly for 4.8L (1.27 gal) fixed water closets (see Table 1) Cap & Regulating Screw Assembly for 6.0L (1.6 gal) fixed water closets (see Table 1) Cap & Regulating Screw Assembly for 1.9L (0.5 gal) adjustable urinals (see Table 1) Cap & Regulating Screw Assembly for 6.0L (1.6 gal) adjustable water closets (see Table 1)

NOTE: Refer to TECK flushometer repair parts and maintenance manual for additional parts and information.

* For package quantities, check the parts section of the latest Delta Commercial Faucet price list.

** For valves manufactured before January 2013, you must replace both 061323A/061324A/061376A diaphragm assembly and 062007A brass seat with O-ring.

Table 1 - Cap/Pin/Diaphragm Configuration Table							
	UR - Fixed*		UR - Adjustable	WC - Fixed*			WC - Adjustable
	0.5L (0.125 gal)**	1.9L (0.5 gal)**	1.9L (0.5 gal)	4.2L (1.1 gal)	4.8L (1.27 gal)	6.0L (1.6 gal)	6.0L (1.6 gal)
Cast Cap Assembly (includes Cast Cap, Poppet Pin & Diaphragm Assembly)	 061336A	 061337A	 061340A	 061375A	 061338A	 061339A	 061019A
Poppet Pin	060507A & 062025A 		060507A 				
Diaphragm Assembly	061324A / 061376A 			061323A 			

NOTE: Must use all noted components listed in Table 1 to ensure correct flush volumes.

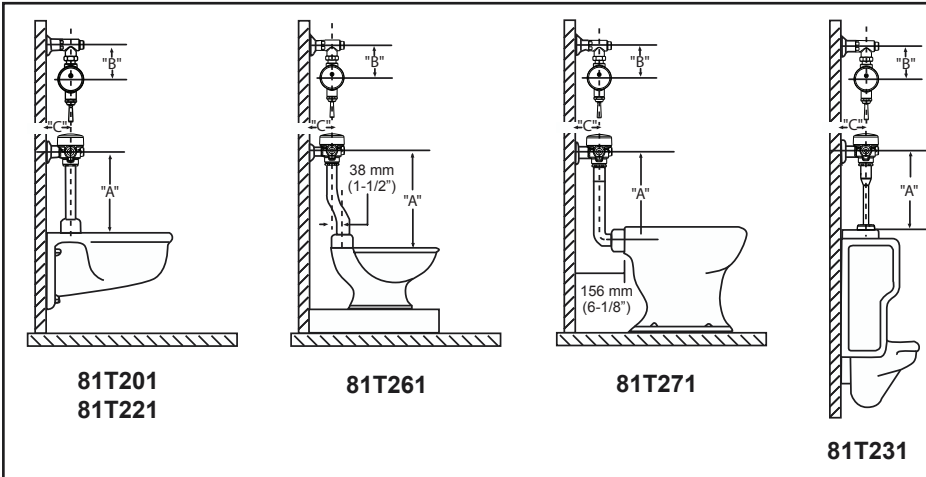
* Fixed models have epoxy in the adjustment screw.

** WaterSense® compliant when paired with a WaterSense fixture rated for the same flush volume.

Product #	A	B	C
	Max.	±11mm (7/16")	Min.
81T201	292mm (11½")	121mm (4¾")	54mm (2⅛")
81T221	610mm (24")	121mm (4¾")	54mm (2⅛")
81T231	330mm (13")	121mm (4¾")	54mm (2⅛")
81T271	381mm (15")	121mm (4¾")	54mm (2⅛")
81T261	640mm (25⅝")	121mm (4¾")	54mm (2⅛")

Note: -30 models, B = 114mm - 131mm (4.5" to 5.18")

Flushometer MUST be paired with a fixture of equivalent flush volume.



BEFORE THE FIRST FLUSH

FLUSH BOTH OLD AND NEW PIPES:

It is important to FLUSH and CLEAN thoroughly both old and new water piping to ELIMINATE contaminants (eg. scale, sediment, gravel, cuttings, solder, etc.) from the line. Where the water has a sediment content, a PIPE STRAINER in the supply line should alleviate that condition and protect working parts of flushometers and faucets. On a NEW INSTALLATION, always flush the valve 4 or 5 times to clean out supply line debris. It is also advisable where more than one flushometer is installed on a water line, to flush out the water piping through the last flushometer outlet of the pipe line.

ELIMINATE AIR FROM VALVES:

The FIRST FLUSH should ELIMINATE all air from the TECK flushometer. DO NOT ADJUST flushometer based on the results of the first flush.

TO PREVENT WATER HAMMER:

A capped-pipe vertical AIR CHAMBER may be installed at the last flushometer and/or at the back of an individual installation. This assures SMOOTHER OPERATION of the valves and longer life for the working parts.

FLUSH VOLUME ADJUSTMENT:

Fixed

1.1 U.S. gallons / 4.2 litres for water closets
 1.27 U.S. gallons / 4.8 litres for water closets
 1.60 U.S. gallons / 6.0 litres for water closets
 0.125 U.S. gallon / 0.5 litre for urinal valves
 0.5 U.S. gallon / 1.9 litres for urinal valves

Adjustable

1.60 U.S. gallons / 6.0 litres for water closets
 0.5 U.S. gallon / 1.9 litres for urinal valves

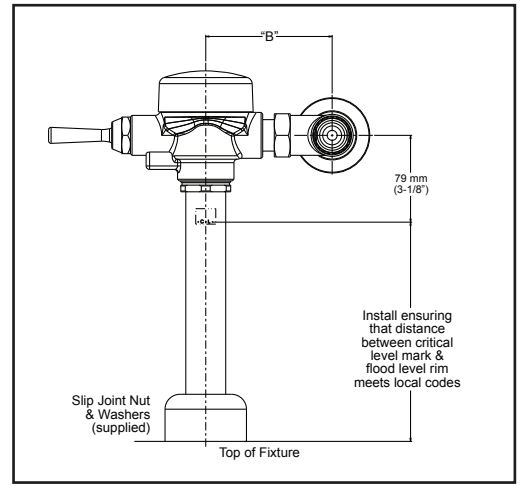
The Regulating Screw (061024A, item #4) may be adjusted according to job conditions and fixture installed, to the proper water volume to flush that particular fixture (except -6, -48, -42, -19 and -05 models which are not field adjustable).

NOTE: 4.2, 4.8 and 6 litre water closets or washdown urinals may require the Inlet Stop to be set at only one turn open.

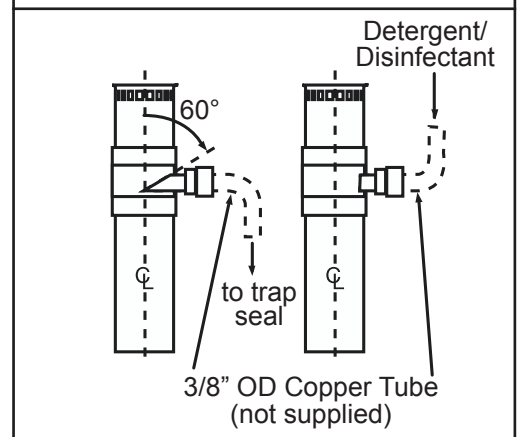
For a SHORTER flush, turn Regulating Screw (061024A, item #4) left (counter-clockwise) and right (clockwise) for a LONGER flush (except -6, -48, -42, -19 and -05 models which are not field adjustable).

RECOMMENDED WATER SUPPLY:

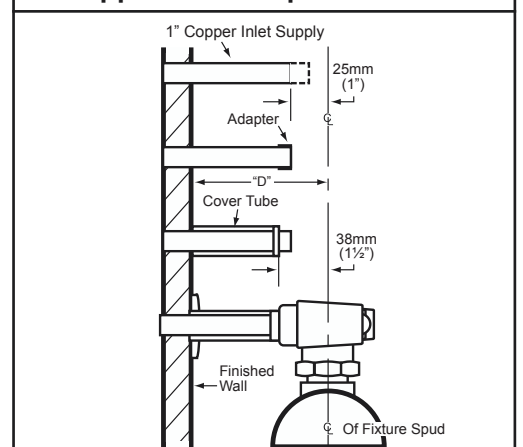
WC - minimum flowing pressure: 25 psi (172 kPa), minimum flow rate: 25 gpm (95 lpm)
 UR - minimum flowing pressure: 25 psi (172 kPa), minimum flow rate: 8 gpm (30 lpm)



-1 Optional Trap Seal Primer Tee or 060781A Trap Seal Primer Tee (separate order)



1\"/>



1. Measure distance "D" from centre line of fixture spud to finished wall.
2. Cut copper tube 1" shorter than dimension "D".
3. Push adapter on copper tube until it stops on the shoulder.
4. Solder adapter to copper tube.
5. Cut cover tube 1½" shorter than dimension "D".
6. Slide the wall flange and cover tube over the supply pipe.
7. Thread the union stop onto the adapter and tighten set screw in flange.

PROBLEM SOLVING & MAINTENANCE SUGGESTIONS

NOTE: DO NOT USE EXCESSIVE FORCE to close the inlet stop stem. We RECOMMEND that the flushometer be flushed while closing the inlet stop. The noise created by the water flow or the flow into the fixture will stop when the inlet water is shut off.

NOTE: Always use GENUINE DELTA "TECK" repair parts to maintain the warranty.

EXCESSIVE NOISE:

1. PARTIALLY close the inlet stop.
2. Static pressures OVER 75 PSI may lead to an increase in NOISE, water could SPLASH out of the fixture more easily and the LIFE of any plumbing valve may be SHORTENED.
3. INSTALL a Pressure Reducing Valve set at a lower pressure if actual static pressure is over 75 PSI. While the TECK flushometer will operate up to 125 PSI, the preferred operating range is between 35 to 65 PSI.
4. On flushometers that have been installed for a number of years, check the Renewable Seat (062007A, item #8) for wear and replace if necessary.

EXCESSIVE WATER FLOW RATE:

1. OPEN inlet stop ONE TURN and adjust Regulating Screw (061024A, item #4) to the fixture requirement (except on -6, -48, -42, -19 and -05 models which are fixed volume).
2. Operation of flushometer with inlet stop BELOW ONE TURN OPEN may cause EXCESSIVE NOISE and PREVENT the non hold open feature from functioning. The lowest open setting for the inlet stop may vary dependant on the installation.

SHORTAGE OF WATER TO PROPERLY FLUSH BOWL:

1. OPEN inlet stop fully.
2. CHECK pipeline for size or obstruction, partially closed gate or other supply line valve, corroded or undersize water piping.
3. CHECK water pressure.
4. Water flow rate is determined by BOTH the water pipe size AND the water pressure available.
5. A water closet flush valve requires a minimum water supply of 1" (or larger), depending on a number of different factors including water pressure (PSI) available, pipe size and length of pipe run, number of fixtures per washroom and per building, fixture type, fixture usage factor, elevation of valve above the water main, etc. We strongly recommend that piping size calculations be done to insure proper water supply sizes.

Flushometers do NOT provide a water supply; they are merely automatically timed self-closing valves. The inlet supply piping is the water reservoir that must supply sufficient water volume in a short period of time (4 to 10 seconds) to properly flush and clear the fixture.

CONTINUOUS FLUSHING:

1. The Regulating Screw (061024A, item #4) may be turned RIGHT (clockwise) TOO FAR. Adjust by slowly turning the Regulating Screw LEFT (counter-clockwise) (except -6, -48, -42, -19 and -05 models which are fixed volume).
2. If flush is still continous, close inlet stop, remove Regulating Screw (061024A, item #4), CLEAN bypass slot in the Screw, REPLACE it in the valve and ADJUST slowly for proper flush (except -6, -48, -42, -19 and -05 models which are fixed volume).
3. CHECK the relief valve in the Handle Cage (060810A, item #12) and see if it is stuck in the open position or fouled by debris. Replace the Handle Cage (060810A, item #12) if necessary.
4. Remove cast cap assembly (see Table 1) and Diaphragm/Guide Assembly (061323A - WC, item #7a or 061324A - UR, item #7b, 061376A - UR, item #7c) and check for contaminants at renewable seat and diaphragm and check for debris in the cap for blockage. Also CHECK that the Diaphragm/Guide slides easily in the Renewable Seat.

VALVE WILL NOT FLUSH:

1. When the valve has been taken apart for servicing and re-assembled and does NOT operate, check that the Cast Cap (see Table 1) has been put on the body properly. The Regulating Screw (061024A, item #4) should always be on the same side as the inlet stop.
2. After a number of years, the valve will flush but shuts off immediately when activated. The Diaphragm (060079A-MMO, item #9) is worn or split and needs replacing.

VALVE WILL NOT FLUSH A SECOND TIME:

When the valve flushes once and then will not flush a second time after 10 seconds, CHECK the Handle Cage (060810A, item #12) for sediment under the seat washer or for a STUCK open relief valve. REPLACE the Handle Cage (060810A, item #12) if necessary.

SLIGHT WATER LEAK INTO FIXTURE:

1. EXAMINE the seating surface of the Diaphragm (060079A-MMO, item #9) for imbedded sediment.
2. EXAMINE the seating surface of the Handle Cage (060810A, item #12) seat washer for wear and for sediment under the relief valve. If necessary, replace the Handle Cage (060810A, item #12).

LEAK AT HANDLE:

When the handle is depressed for a flush and there is a LEAK at or around the handle, REPLACE the Handle Cage (060810A, item #12).

CLEANING INSTRUCTIONS:

CLEAN the outside of the chrome-plated flushometer with a damp cloth.

CAUTION: MOST tub & tile fixture cleaners contain ACIDS. DO NOT WIPE the cloth used to clean ceramic fixtures over the flushometer as it will remove the chrome-plating and leave a discoloured surface.

Limited Warranty on Delta® Commercial Products

Delta Commercial Faucet Limited Warranty

Parts and Finish

All parts (including electronic parts other than batteries) and finishes of this Delta® commercial product are warranted to the original purchaser to be free from defects in material and workmanship for five (5) years from the date of purchase. No warranty is provided on batteries. Special terms and conditions may apply for specific models. Please refer to the model-specific Maintenance and Installation manual for more details.

What We Will Do

Masco Canada Limited will repair or replace, free of charge, during the applicable warranty period (as described above), any part or finish that proves defective in material and/or workmanship under normal installation, use and service. If repair or replacement is not practical, Masco Canada Limited may elect to refund the purchase price in exchange for the return of the product. **These are your exclusive remedies.**

What Is Not Covered

Any labor charges incurred by the purchaser to repair, replace, install or remove this product are not covered by this warranty. Masco Canada Limited shall not be liable for any damage to the commercial product resulting from reasonable wear and tear, misuse, abuse, neglect, changing building conditions (such as voltage spikes), aggressive waters for sterilization, gray water (recycled or repurposed water for toilet usage), improper or incorrectly performed installation, maintenance or repair, including failure to follow the applicable care and cleaning instructions, and any other exclusions set forth in the Maintenance and Installation manual for the particular product. Masco Canada Limited recommends using a professional plumber for all installation and repair. We also recommend that you use only genuine Delta® replacement parts.

What You Must Do To Obtain Warranty Service Or Replacement Parts

A warranty claim may be made and replacement parts may be obtained by calling or writing as follows:

In the United States and Mexico:

Delta Faucet Company
Product Service
55 E. 111th Street
Indianapolis, IN 46280
customerservice@deltafaucet.com
1 800 345 DELTA (3358)

In Canada:

Masco Canada Limited
Technical Service Centre
350 South Edgeware Road
St. Thomas, Ontario N5P 4L1
customerservice@mascoCanada.com
1 800 567 3300

Delta® Commercial products covered under this warranty include: Delta Commercial TECK® series, Delta Commercial HDF® series, and Delta Commercial DEMD™ series. This warranty applies only to Delta® Commercial products installed in the United States of America and Canada.

Limitation on Duration of Implied Warranties.

TO THE EXTENT PERMITTED BY LAW, ANY IMPLIED WARRANTY OR CONDITION, INCLUDING THE IMPLIED WARRANTIES OF MERCHANTABILITY AND OF FITNESS FOR A PARTICULAR PURPOSE, IS LIMITED TO THE STATUTORY PERIOD OR THE DURATION OF THIS WARRANTY, WHICHEVER IS SHORTER. Some states/provinces do not allow limitations on how long an implied warranty or condition lasts, so the above limitation may not apply to you.

Limitation of Special, Incidental or Consequential Damages.

MASCO CANADA LIMITED SHALL NOT BE LIABLE FOR ANY SPECIAL, INCIDENTAL OR CONSEQUENTIAL DAMAGES (INCLUDING LABOR CHARGES TO REPAIR, REPLACE, INSTALL OR REMOVE THIS PRODUCT), WHETHER ARISING OUT OF BREACH OF ANY EXPRESS OR IMPLIED WARRANTY OR CONDITION, BREACH OF CONTRACT, TORT, OR OTHERWISE. MASCO CANADA LIMITED SHALL NOT BE LIABLE FOR ANY DAMAGE TO THE COMMERCIAL PRODUCT RESULTING FROM REASONABLE WEAR AND TEAR, MISUSE, ABUSE, NEGLIGENCE, CHANGING BUILDING CONDITIONS (SUCH AS VOLTAGE SPIKES), AGGRESSIVE WATERS FOR STERILIZATION, GRAY WATER (RECYCLED OR REPURPOSED WATER FOR TOILET USAGE), IMPROPER OR INCORRECTLY PERFORMED INSTALLATION, MAINTENANCE OR REPAIR, INCLUDING FAILURE TO FOLLOW THE APPLICABLE CARE AND CLEANING INSTRUCTIONS, AND ANY OTHER EXCLUSIONS SET FORTH IN THE MAINTENANCE AND INSTRUCTION MANUAL FOR THE PARTICULAR PRODUCT. Some states/provinces do not allow the exclusion or limitation of special, incidental or consequential damages, so the above limitations and exclusions may not apply to you. Note to residents of the State of New Jersey: The provisions of this document are intended to apply to the fullest extent permitted by the laws of the State of New Jersey.

Additional Rights

This warranty gives you specific legal rights, and you may also have other rights which vary from state/province to state/province.

This is Masco Canada Limited's exclusive written warranty and the warranty is not transferable.

If you have any questions or concerns regarding our warranty, please call, mail or email us as provided above.

© 2018 Masco Canada Ltd.

For further technical assistance, call Delta Commercial Technical Service at 1-800-387-8277 (Canada) or 1-877-509-2680 (U.S.A.).