



**Dearborn®  
Brass**

4675 W. 160th St.  
Cleveland, Ohio 44135  
Ph: (800) 321-9532  
Fax: (800) 321-9535  
www.dearbornbrass.com

**SUBMITTAL SPECIFICATION**

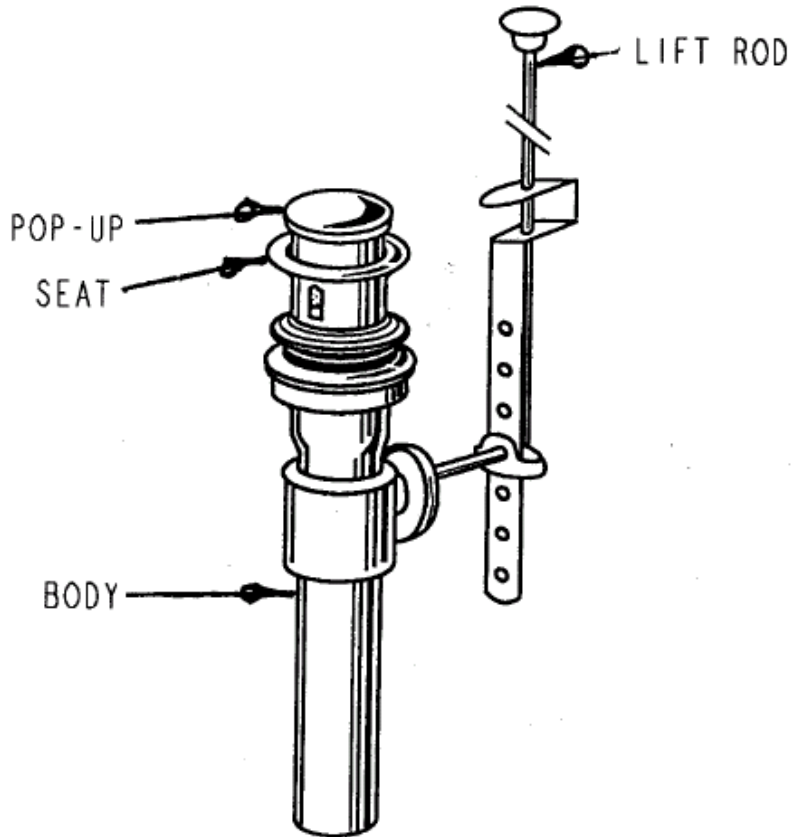
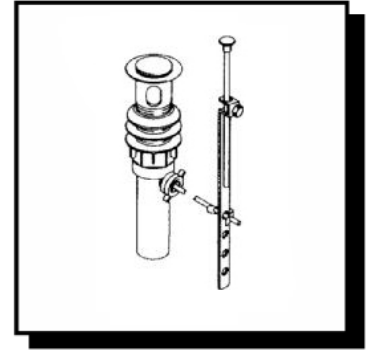
**BRASS TUBULAR  
ONE PIECE POP UP ASSEMBLY**

**Engineering Specification:** Dearborn Brass One Piece Pop Up Assembly is designed for use in tubular drain applications with lavatory sinks. Available in Chrome or Polished Brass Finish.

**Job Reference**

**DESCRIPTION**

- Chrome or Polished Brass Finish
- 20 Gauge Brass
- One Piece Assembly



✓	Product No.	Description	Carton Quantity	Carton Weight (lbs)
	759-1	1-¼" Pop Up Assembly – 1 Piece – Chrome – 20 Gauge	10	10
	759PB-3	1-¼" Pop Up Assembly – 1 Piece – Polished Brass – 20 Gauge	12	10

Data is subject to manufacturing tolerances.