



WASHINGTON CODE TRAP WITH CLEANOUT TECHNICAL SPECIFICATION

Job Name _____	Item # _____
Location _____	
Engineer _____	Contractor _____
PO # _____	Tag _____
Representative _____	

SPECIFICATIONS

Dearborn Brass 1-1/2" x 1-1/4" Washington Code Sink Traps is designed for use in tubular drain applications..

DESCRIPTION

- Chrome Finish
- 17 Gauge Brass
- 1-1/2" x 1-1/4" Sink Trap
 - (1) Deep Metal Flange
 - (1) Outlet Bend
 - (1) Sink J-Bend with Ground Joint Flange
 - (1) Brass Nut
 - (1) 1-1/2" x 1-1/4" Polyethylene Reducing Washer
 - (1) 1-1/2" x 1-1/4" Rubber Washer

APPROVALS AND LISTINGS



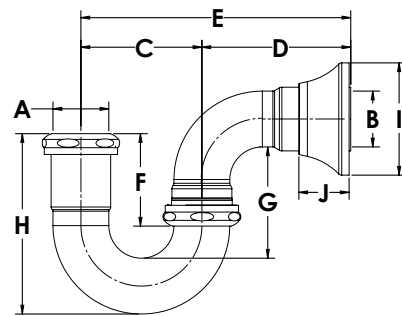
PRODUCT SELECTOR

WASHINGTON CODE TRAP WITH CLEANOUT				
✓	Product Number	Size	Description	Carton Quantity
	747GDFBN-1	1-1/2" x 1-1/4"	Wash Code P-Trap w/ Cleanout, Deep Flange & Brass Nuts	10
	727DFBN-6-1	1-1/2" x 1-1/4"	Sink Trap w/ Cleanout & 6" (SWT) Extension, Deep Flange & Brass	10

Data is subject to manufacturing tolerances.

DIMENSIONS

[A]:	Inlet Size	1.5"	[F]:	Approximate Slip	2.6"
[B]:	Sweat Extension Tube OD	1.7"	[G]:	Approximate Seal	1.9"
[C]:	Length C	3.25"	[H]:	Approximate Height H	5.3"
[D]:	Length D	6.7"	[I]:	Flange Diameter	3.0"
[E]:	Length E	10"	[J]:	Flange Depth	1.35"



Access BIM/Revit content through www.oatey.com