



**Dearborn®  
Brass**

4675 W. 160th St.  
Cleveland, Ohio 44135  
Ph: (800) 321-9532  
Fax: (800) 321-9535  
www.dearbornbrass.com

**SUBMITTAL SPECIFICATION**

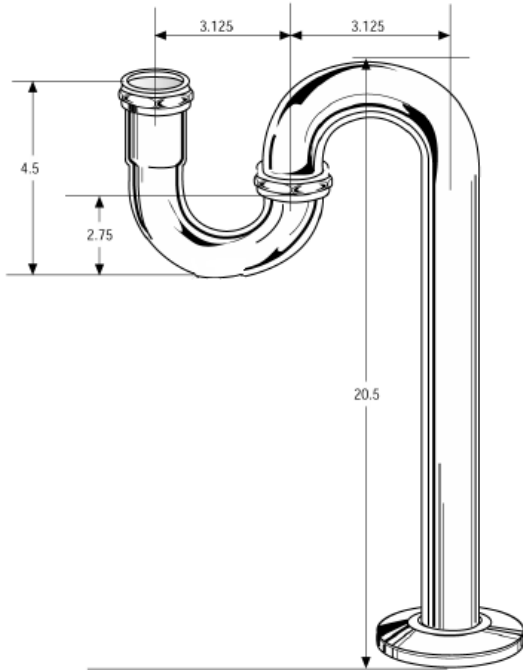
## BRASS TUBULAR S-TRAP WITHOUT CLEANOUT

**Engineering Specification:** Dearborn Brass 1-¼" or 1-½" Brass Tubular S-Traps are designed for use in tubular drain applications. Available in 17, 20 or Budget Gauge Brass. Options include Brass Nuts and Deep Flange.

**Job Reference**

### DESCRIPTION

- Chrome Finish
- S-Trap without Cleanout
  - Metal Flange
  - Short J-Bend
  - Long J-Bend
  - Nuts
  - Washers



✓	Product No.	Description	Carton Quantity	Carton Weight (lbs)
	2718-1	1-¼" S-Trap – Budget Gauge	5	6
	718-1	1-¼" S-Trap – 20 Gauge	5	6
	718DF-1	1-¼" S-Trap – 20 Gauge with Deep Flange	5	8
	719-1	1-¼" S-Trap – 17 Gauge	5	10
	719DFBN-1	1-¼" S-Trap – 17 Gauge with Deep Flange and Brass Nuts	5	11
	2720-1	1-½" S-Trap – Budget Gauge	5	8
	720-1	1-½" S-Trap – 20 Gauge	5	9
	721DF-1	1-½" S-Trap – 20 Gauge with Deep Flange	5	9
	722-1	1-½" S-Trap – 17 Gauge	5	11
	722DFBN-1	1-½" S-Trap – 17 Gauge with Deep Flange and Brass Nuts	5	12

Data is subject to manufacturing tolerances.