



BATH WASTE & OVERFLOW BRASS TUBULAR FULL KIT CHAIN & STOPPER TECHNICAL SPECIFICATION

Job Name _____	Item # _____
Location _____	
Engineer _____	Contractor _____
PO # _____	Tag _____
Representative _____	

SPECIFICATIONS

Dearborn Bath Waste & Overflow Brass Tubular Full Kits are manufactured to strict industry standards. Full Kit contains waste and overflow assemblies and all pipe lengths required for assembly. Fits most 14"-16" depth tubs.

DESCRIPTION

- 1-1/2" Waste Shoe/Drain Assembly
- Made of 17 Gauge Brass
- Chrome or rough brass finishes available
- One Hole Face Plate
- Brass Nuts

APPROVALS AND LISTINGS



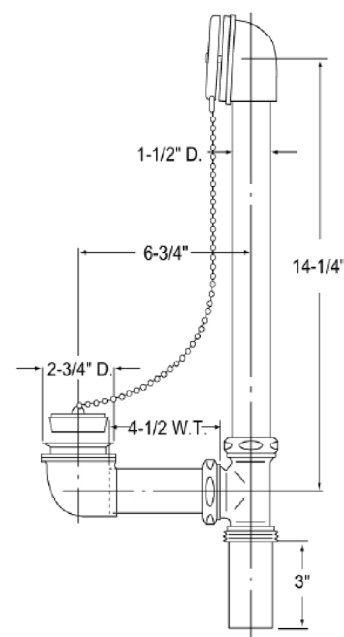
Uniform Plumbing Code (UPC®)



PRODUCT SELECTOR

BATH WASTE & OVERFLOW BRASS TUBULAR FULL KIT CHAIN & STOPPER				
✓	Product Number	Description	Carton Quantity	Carton Weight
	202-1	Full Kit, 17 Gauge Brass Tubular Chain & Stopper Mechanism - Chrome Finish Trim, Pipes & Tee - Includes 1-3/8" Reducing Tailpiece	1	4 lbs.
	202-3	Full Kit, 17 Gauge Brass Tubular Chain & Stopper Mechanism - Chrome Finish Trim, Unfinished Pipes & Tee - Includes 1-3/8" Reducing Tailpiece	1	4 lbs.
	208-3	Full Kit, 17 Gauge Brass Tubular Chain & Stopper Mechanism - Chrome Finish Trim, Unfinished Pipes & Tee - 1-1/2" Outlet	1	4 lbs.

Data is subject to manufacturing tolerances.



Access BIM/Revit content through www.oatey.com