

## HowTO install this

### FH-CeilingMountTrack or TopMountTrack

### with CS Door Collection System

## The Pocket Door Experts

**Cavity Sliders USA Inc.**  
548 Finney Ct  
Gardena CA 90248

T (888) 466 0030  
F (310) 769 5824  
E info@cavitysliders.com  
W www.cavitysliders.com



All copyright and other property in this document is reserved by Cavity Sliders USA Inc. Details and specifications are subject to change without notice. Whilst all care is taken to ensure the accuracy of all information, no responsibility will be accepted for any errors or omissions.

## INSTALLATION NOTES

### Construction of the lintel.

Construction of the lintel should be in accordance with local building regulations.

### Contamination of the top track.

Never drill, nail or screw through the center section of the track (unless these holes are pre-drilled for you). Make sure no dirt, grit or aluminum swarf gets into the track. This could impair the smooth running of the carriages.

### 1 Level the track (drawing S, page 3 or 4).

The track must be fitted level and straight.

Track should be orientated so that the notched end is at the closing end and always accessible for future servicing of doors and carriages.

The track must be fixed to the lintel through the aluminum flanges on both sides of the track (Full Height Ceiling Mount Track) or the pre-drilled mounting holes (TopMount Track).

### Bi-Parting (double) units:

Ensure that the tracks are connected neatly together with alignment pins provided. These fit into the track screw tubes (drawing S).

### 2 Prepare the doors.

#### a) Fit mounting plates:

Drill holes in the top of your doors in the positions as marked (drawing R).

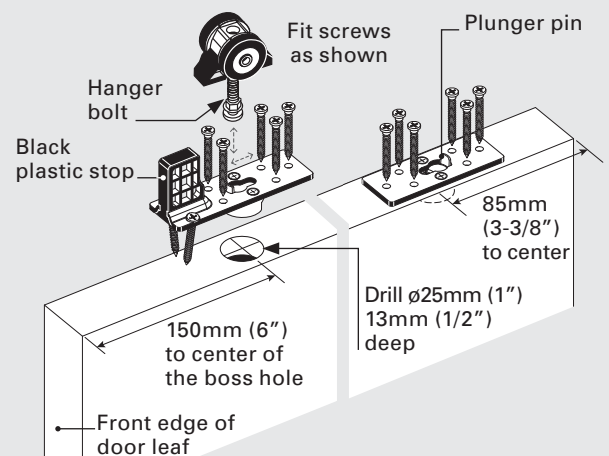
The larger of the two mounting plates (the one with the black plastic stop) fits closest to the front edge of the door. Screw the mounting plates to the doors with the mounting plates placed **exactly** in the center of the door thickness.

#### b) Cut the groove (drawing S):

At the bottom of the door leaf cut a groove to the dimensions shown (drawing S). Make it central of the door thickness and absolutely straight.

Go to page **3** (overleaf) →

### R FITTING MOUNTING PLATES See points 2a & 4.



**2 c) Fit U-guides** (drawing **S, T, U** and **V**):

Determine which side of the track the lead door comes from (drawing **U**) and mark where the U-guides should go (drawing **T** and **V**).

Fit the U-guides to all doors except the lead door as shown (drawing **V**). The U-guide must be fitted 7mm (1/4") back from the front of the trailing door(s).

**d) Fit groove stops** (drawing **V** and **W**):

Determine the door handing to work out which groove stop(s) you require. (Left and right hand groove stops are both included in your pack.)

Fit groove stops as follows (drawing **V**):

2 doors: fit to leading edge of lead door only.

3 doors: fit to leading edge of lead door and first trailing door (drawing **V**, page **4**).

**e) Fit vertical pick up extrusions to all doors** (drawing **T, U** and **X**).

Determine which side of the track the lead door comes from (drawing **U**) and mark where the pick up extrusions should go (drawing **X**). Recommended door overlap is 100mm (4").

If your overlap is wider, e.g. to suit a wider door stile, increase the measurement either side of the pick up extrusions evenly.

Fit the extrusions as shown using 8 gauge x 25mm (1") pan pozi surefast screws fixed through the pre-machined holes (drawing **T**).

Fit woolpile seals to the pickup extrusion as shown (drawing **X**) and crimp in place by folding the seal carrier extrusion over at the top and bottom of the door.

**3 Prepare the cover board** (drawing **Z**).

A cover board can be fixed to the back of the trailing door to block off the view inside the wall when the doors are closed. CS does not supply this cover board.

The recommended thickness for the cover board is 19mm (3/4") and it can be painted, stained etc.

The board must have:

- A groove cut out of the bottom that lines up with the groove on the bottom of the rear door
- Pilot holes drilled for the screws

Dimensions of the cover board:

- The height is the same as the door height
- The width is as follows:

**1-3/8" thick doors**

2 doors = 82mm (3-1/4")

3 doors = 129mm (5-1/8")

**1 3/4" thick doors**

2 doors = 101mm (4")

3 doors = 158mm (6-1/4")

Fix cover board to the rear door through the pre-drilled holes.

**4 Hang the doors on the track** (drawing **R** & **Y**).

Pre-adjust the carriages for the **rear door** so that the hanger bolts are wound almost entirely out of the thread. This will enable you to load the lead door over the stainless U-guide.

Insert the carriages for the rear door into the track through the notched end, taking care not to damage the wheels on the sharp edge of the track.

Align the mounting plates on the rear door with the hanger bolts of the carriages.

Raise the door up so that the round head of the wheel hanger shaft lines up with the keyhole shaped hole in the mounting plate (drawing **R**).

Depress the plunger using the wheel hanger shaft head and slide sideways until it snaps into locked position. Repeat for the other carriages.

Hang the next door on the adjacent track by centering the middle of the groove on the bottom of the door over the U-guide of the trailing door.

Mate the hanger bolts to the mounting plates as previous.

Adjust the doors for desired working clearances (drawing **Y**, instruction **4**). The doors should now slide past one another and 'pick-up' in both closing and opening directions.

Repeat the process again if there are three doors.

**5 Adjust the door height** (drawing **Y**).

Use the small end of the wrench supplied to rotate the hexagonal nut at the bottom of the carriage hanger.

To **raise** door: Rotate wrench from **left to right**.

To **lower** door: Rotate wrench from **right to left**.

Note: The top of the hanger shaft screws into a self-locking nut. If the hexagonal nut is turned downwards too far, the shaft will become loose from the self-locking nut. If the turning resistance suddenly feels much easier, you have gone too far.

**6 Fix the T-Guide** (drawing **S**).

Before positioning the track stops, fix the T-Guide to the floor so that it will always make contact with the rear door.

**7 Position the track stops** (drawing **R** and **S**).

Track stops determine the position where the door stops in the opening (drawing **S**).

Fit the track stops into the notched end of the track with the rubber buffer facing the black plastic stop on the mounting plate (drawing **R**).

Slide the stop(s) approximately 200mm (8") before where you think they should be and slowly bring the doors to the closed position.

Open the doors again. The stops will now be close to the required position.

Tighten in place. Repeat the process again and adjust if necessary.

**8 Removing the doors** (drawing **Y**).

Fit the club end of the adjusting wrench over the hexagonal nut at the bottom of the hanger pin

Use the extended part of the wrench to press down the plunger pin that protrudes up from the mounting plate. Once this plunger is fully depressed, slide the wrench sideways towards the plunger pin.

The whole carriage (including the shaft) will now disengage from the mounting plate.

It is not always easy to slide the wrench sideways. You may need to relieve the door's weight by putting a wedge between door and floor.

Do the same with the other carriages.

Finally, remove the black plastic stop that is tightly fitted into the mounting plate at the front of each door leaf. Remove this by tapping it out in the direction shown using a hammer and drift (drawing **Y**).

If you also want to take the carriages out: slide them out from the notched end of the track.

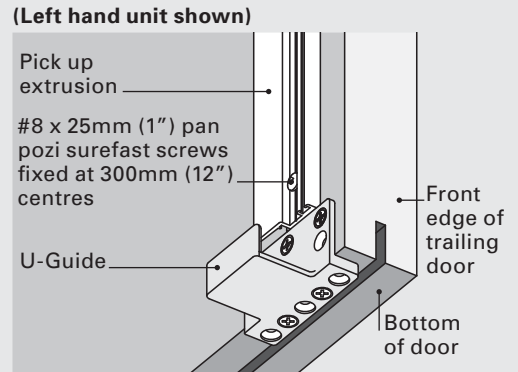
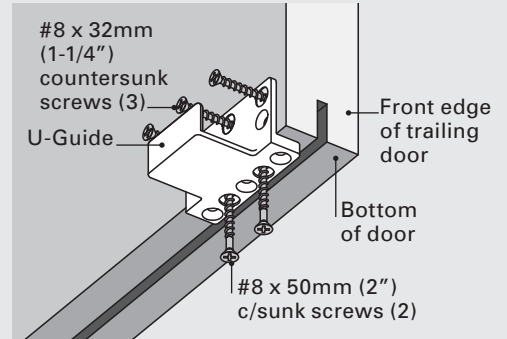
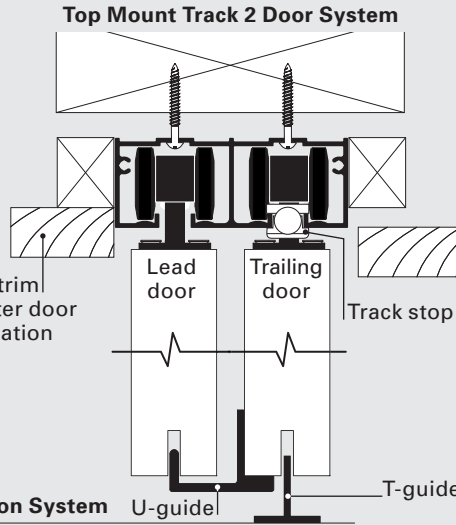
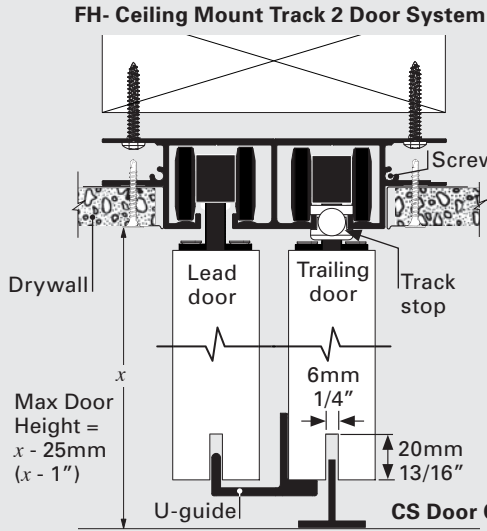
# S TRACK CROSS SECTION

See points 1, 2 & 6.

2 Door System shown here.  
See back page for 3 Door System

# T U-GUIDE

See point 2.  
(Left hand unit shown)

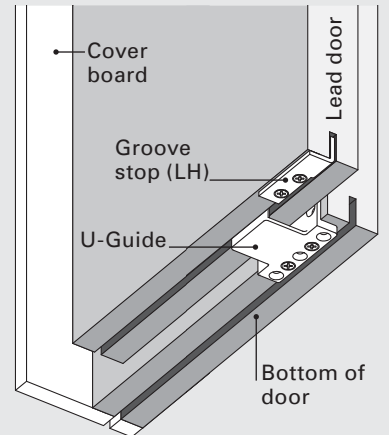
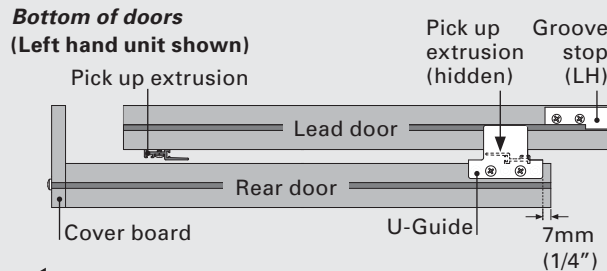
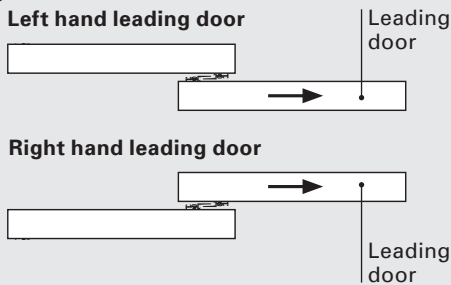


# U DOOR HANDING

See point 2.

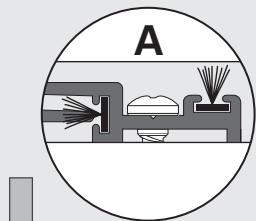
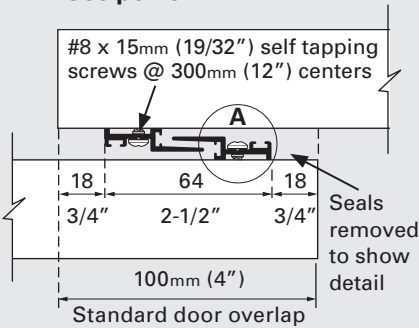
# V COLLECTION SYSTEM ASSEMBLY

See point 2.



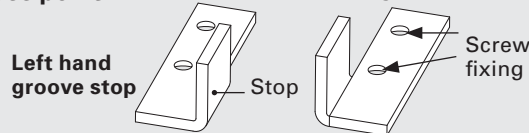
# X PICK UP EXTRUSIONS

See point 2.



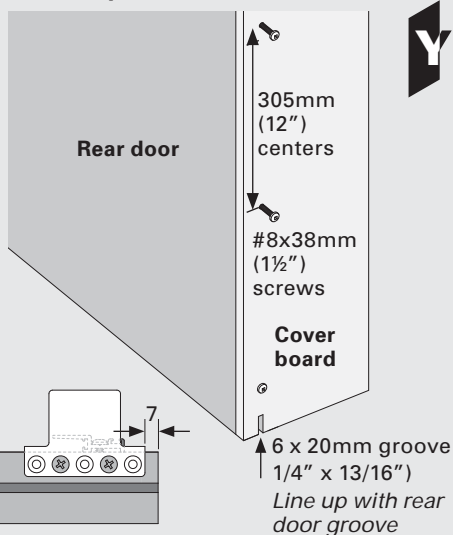
# W GROOVE STOPS

See point 2.



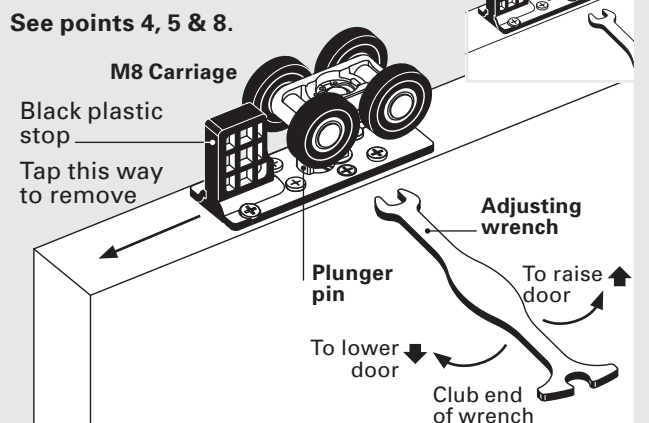
# Z COVER BOARD

See point 3.



# Y ADJUSTING/REMOVING CARRIAGES

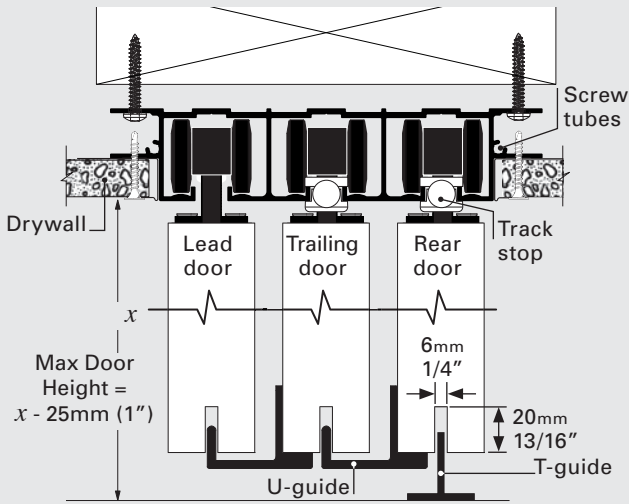
See points 4, 5 & 8.



# S TRACK CROSS SECTION

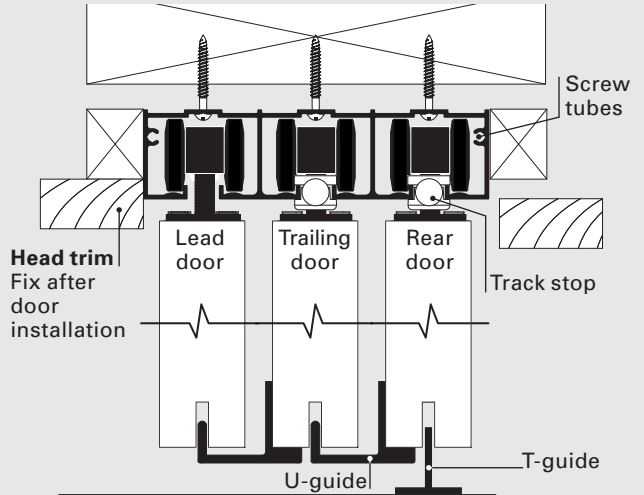
See points 1, 2 & 6.

## FH- Ceiling Mount Track 3 Door System



CS Door Collection System

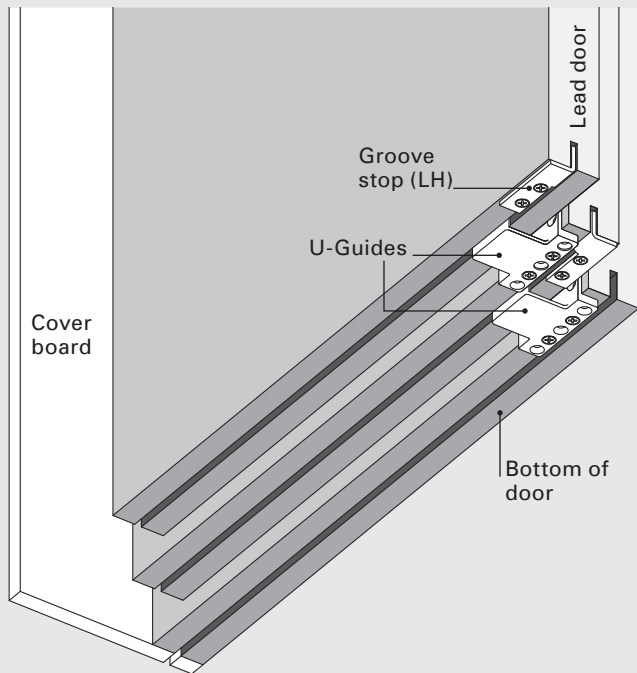
## Top Mount Track 3 Door System



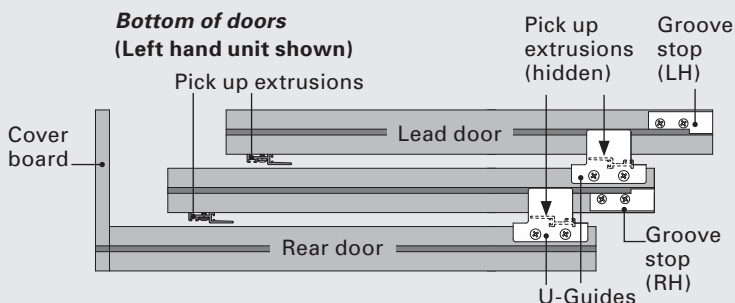
CS Door Collection System

# V COLLECTION SYSTEM ASSEMBLY

See point 2.



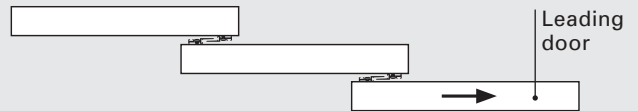
### Bottom of doors (Left hand unit shown)



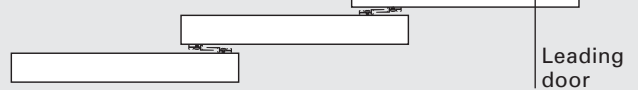
# U DOOR HANDING

See point 2.

### Left hand leading door

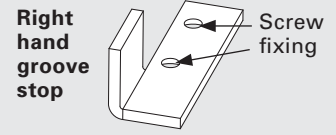
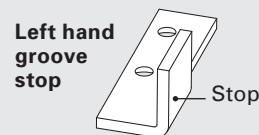


### Right hand leading door



# W GROOVE STOPS

See point 2.



# Z COVER BOARD

See point 3.

