

## Edwardian 22" Pedestal Basin Set

US-B41TH | US-B43TH | US-P1

### FEATURES

- Fine vitreous china basin and pedestal
- Available in white
- Pre-drilled 1 or 3 faucet holes
- Size:
  - Width: 22" | Depth: 18-1/2" | Height: 35-1/2"
- Set comprised of basin and pedestal
  - US-B41TH Basin with 1 hole drilling
  - US-B43TH Basin with 3 hole drilling
  - US-P1 Pedestal

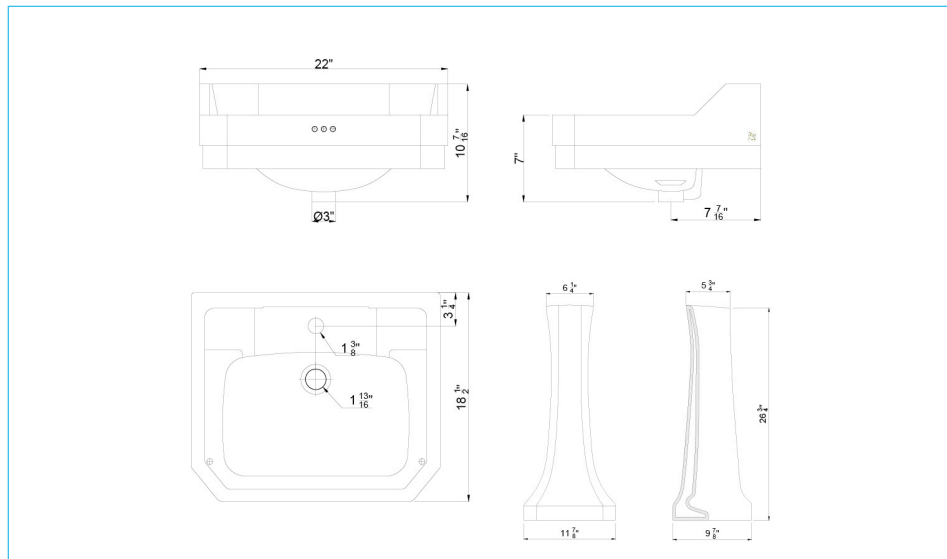
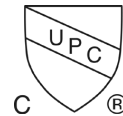


### SPECIFICATION

- Basin is suitable for wall-hung installation or with pedestal
- Overflow: Yes
- Bowl inside dimensions: 15-3/4" x 10-1/4" x 6-1/8"
- Drain hole diameter: 1-13/16"
- Drain hole depth: 1-3/4"
- Number of fitting holes: 1 or 3
- Faucet holes spread: 7-7/8"
- Primary material: Vitreous china
- Net weight: Basin 39.6 lbs, pedestal 27.56 lbs
- Warranty: Limited lifetime
- Commercial: 1 year

### CERTIFICATIONS

- Meets or exceeds ASME A112.19.2/CSA B45.1
- Certifications: IAPMO(cUPC), State of Massachusetts, and others
- Code compliance: UPC, cUPC



For further information contact Crosswater London, 393 Fortune Blvd., Milford, MA 01757  
**Toll free number: 844-XWATER-1(844-992-8371) tel: 508-381-0433 fax: 508-381-6068**  
[www.crosswater-bathrooms.com](http://www.crosswater-bathrooms.com) | [technical@crosswater-bathrooms.com](mailto:technical@crosswater-bathrooms.com)