

MODERN WALL-MOUNT SHOWER ARM & FLANGE

Unlacquered Brass

US-PRO664B

FEATURES

- Refined simplicity of design reflects contemporary influence
- Round flange to complement modern ranges

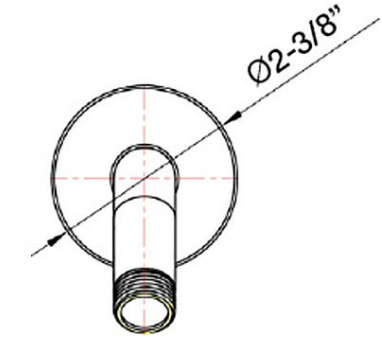
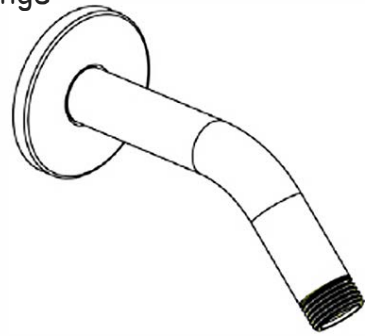


SPECIFICATIONS

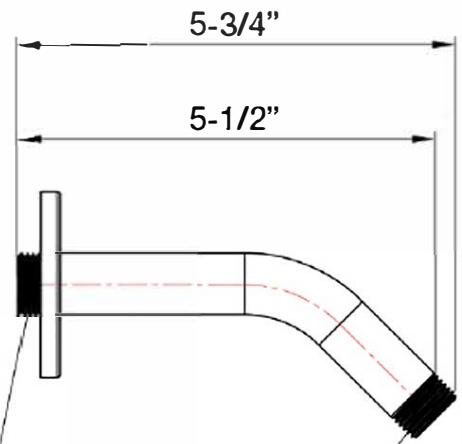
Installation type	Wall mount
Inlet connection size	1/2" male NPT
Projection	5-1/2"

✓ Limited lifetime. Commercial

Modern Shower Arm and Flange
US-PRO664



1/2-14NPT-2A



1/2-14NPSM-2A