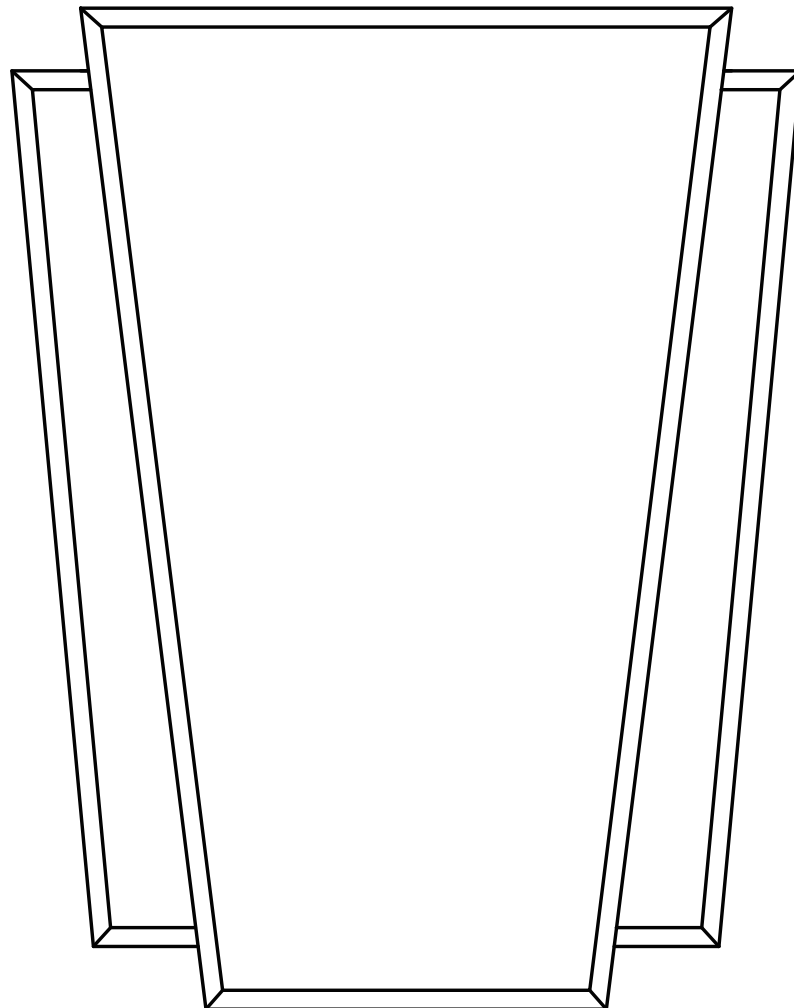


**Waldorf Mirror**

US-WF\_MIRROR

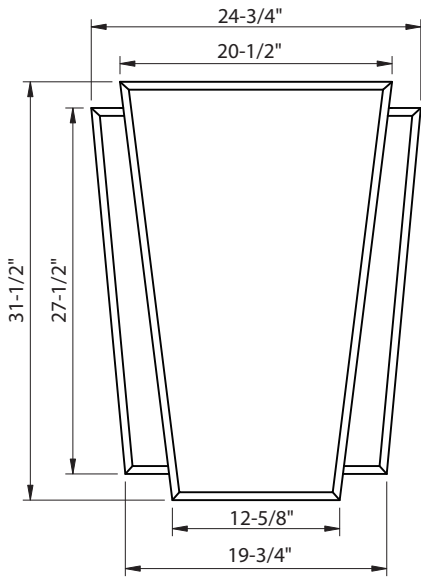
Installation Instructions



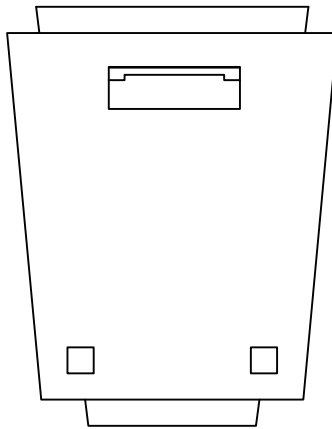
**NOTE**

**Read these instructions thoroughly prior to installation. Keep these instructions for future use and reference.**

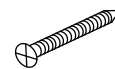
**Prior to installation, carefully unpack and inspect the mirror for any damage that may have occurred during transport. Note: Damage claims cannot be made during or after installation.**



**Front View**



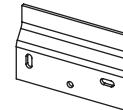
**Back View**



Screw x6



Wall anchor x6



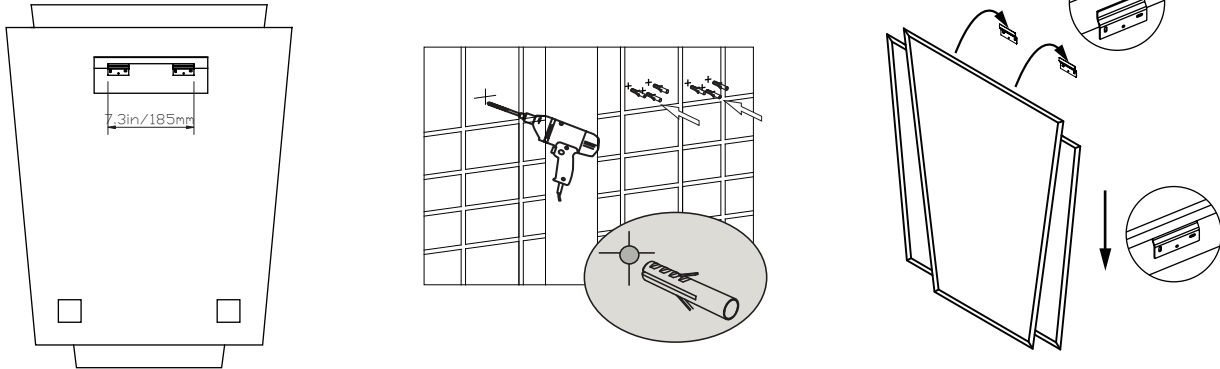
Mounting bracket x2

## 1. MIRROR MOUNTING

**WARNING: Please check for any hidden pipes and cables, electric or otherwise, before drilling holes in a wall.**

Before mounting identify mirror location on wall. Drill marks should be measured from the edge of the mirror **not from the edge of the mounting bar**. The fixture must be installed with the mounting bracket and 6 screws supplied. Use wall anchors or suitable stud wall fitting (not supplied). See individual product for mounting hole locations.

Check to make sure mounting brackets are level.



## CLEANING INSTRUCTIONS

The safest cleaner for a mirror is a soft, clean cloth and warm water. If using a glass or mirror cleaner, be sure it does not contain ammonia or vinegar. Never spray any cleaner directly on to a mirror. Spray the cleaner on to a soft cloth and then wipe the mirror.

The mirror edges are treated with a specially formulated sealant designed to protect the mirror edges from contaminants and discoloring.

Care should always be taken to avoid getting the edges and backing of the mirror wet. Should they get wet, dry immediately.

Warranty - This **Crosswater London** product is covered by a limited lifetime warranty. For full details, terms and conditions please visit our website.

For further information contact: **Crosswater London**, 393 Fortune Blvd., Milford, MA 01757

Toll free number: 844-XWATER-1 (844-992-8371) tel: 508-381-0433 fax: 508-381-6068

[www.crosswaterlondon.com](http://www.crosswaterlondon.com)

email: [technical@crosswaterlondon.com](mailto:technical@crosswaterlondon.com)