

crosswater^x

LONDON

Darby Pressure-balance Shower Set Trim
15-15-T
15-15-175-T

Installation Instructions



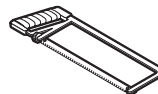
Tools You Will Need



Adjustable Wrench



Adjustable Pliers



Hacksaw



Teflon Tape



Screwdriver

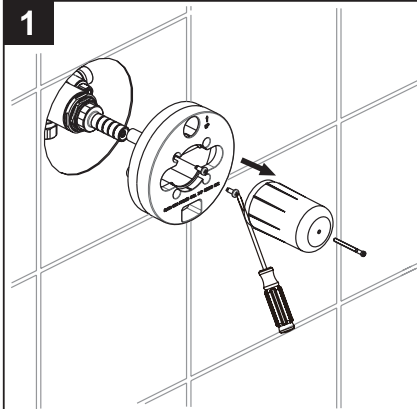
For ease of installation you will need:

- To read the installation instructions completely before beginning.
- To read all warnings, care, and maintenance information.
- To complete the valve rough-in prior to installing this trim kit.

Before beginning installation, check for any damage that may have occurred during transport.
Note: Damage claims cannot be made during or after installation.

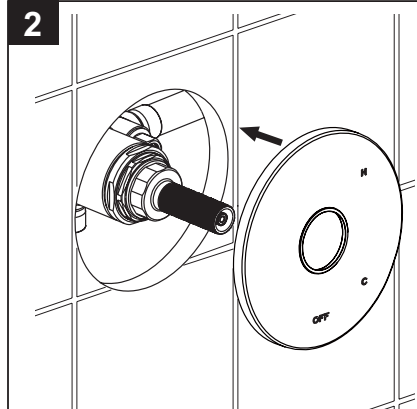
Installation Instructions

1



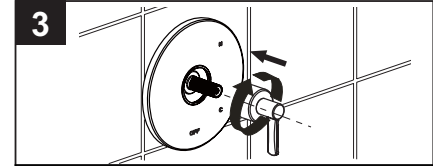
Remove the mud guard.

2



Carefully slide the escutcheon on valve.

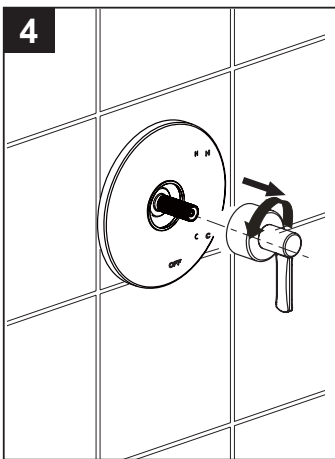
3



Set the handle in the desired off position and place the handle assembly on the valve and rotate clockwise securing the handle assembly and escutcheon to the wall and engaging the stem.

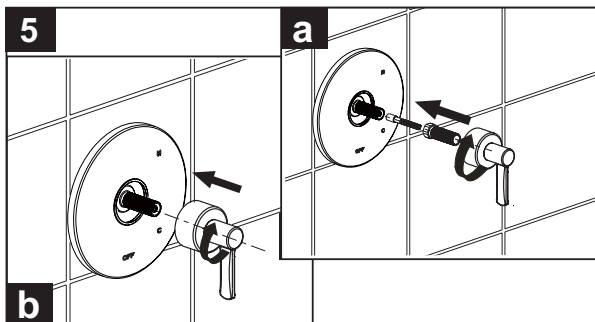
- If all functions smoothly go to step #15.
- If the handle assembly will not engage the stem, go to step #4.
- If the handle assembly will not bottom out on the escutcheon go to step #10.

4



If the handle assembly will not engage the stem, remove the handle assembly.

5

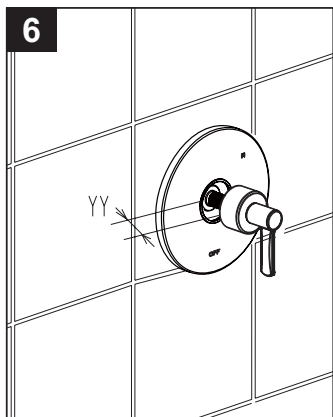


a) Add the threaded nipple and pressure balance stem extensions supplied with this trim.

b) Set the handle in the desired off position and place the handle assembly on the valve and rotate clockwise securing the assembly and escutcheon to the wall and engaging the stem.

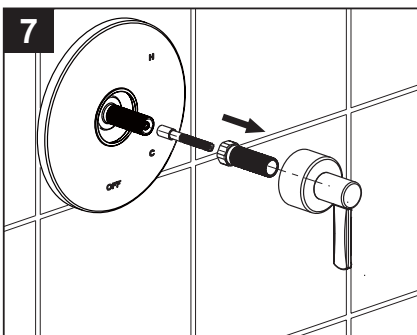
- If all functions smoothly go to step # 15
- If the handle assembly will not bottom out on the escutcheon go to step #6.

6



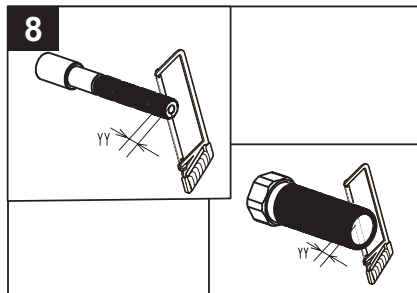
Measure and note the distance 'YY' (the distance between the bottom of the handle assembly and the escutcheon).

7



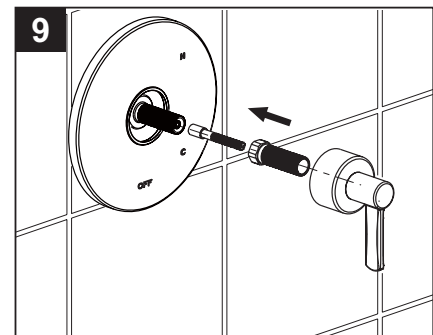
Remove the handle assembly and nipple and stem extensions.

8

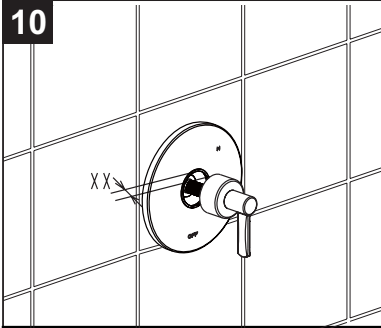


Cut stem and nipple extensions the amount noted in step # 6. (Never cut the stem and nipple while still on the valve. This may damage the valve.)

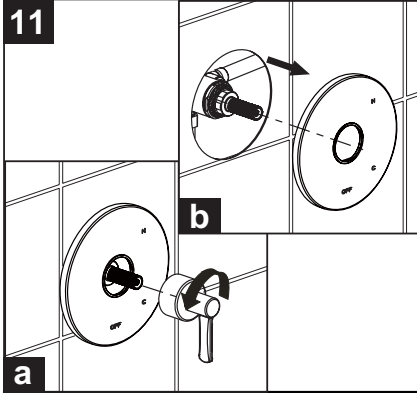
9



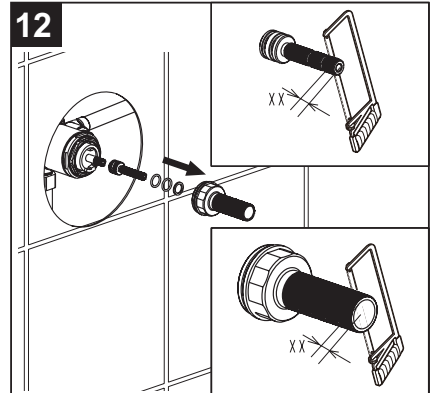
Re-install the nipple and stem extension and handle assembly. Go to step # 15.



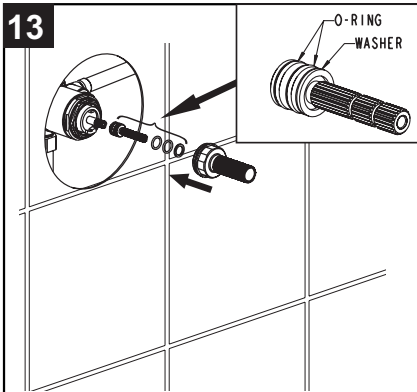
If handle assembly will not secure escutcheon to the wall, measure and note the distance 'XX' (the distance between the bottom of the handle assembly and the escutcheon)



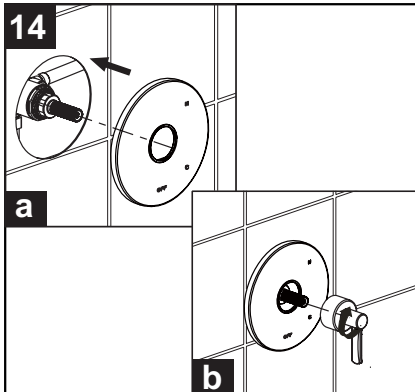
Remove the handle and escutcheon assembly, the plate, stem and nipple.



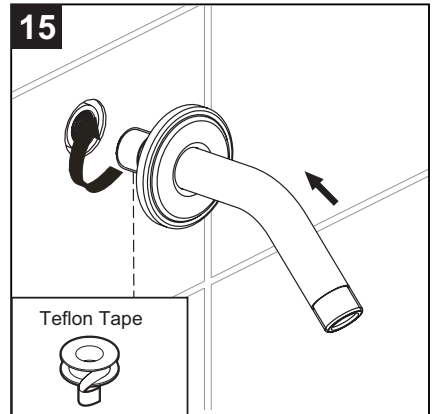
Cut stem and nipple the amount noted in step # 10. (Never cut the stem and nipple while still on the valve. This may damage the valve.)



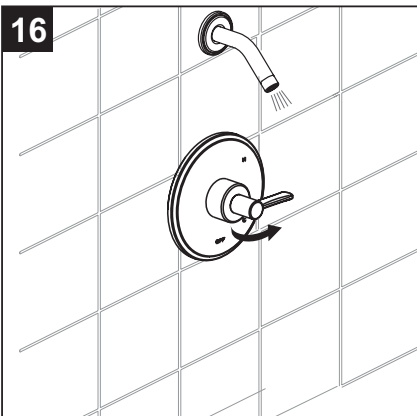
Re-install the trimmed stem and nipple on the valve.



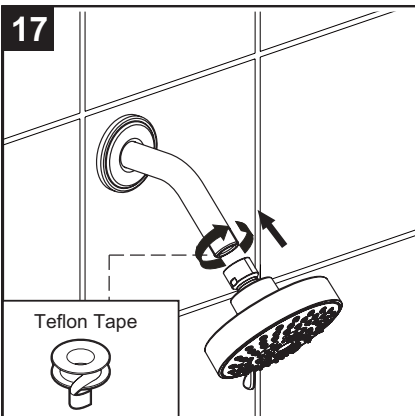
Place escutcheon on valve. Thread on handle assembly to secure escutcheon.



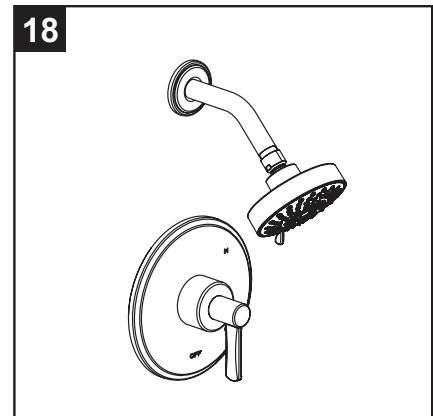
Apply teflon tape to the shower arm and thread clockwise into the nipple and slide on the flange.



Turn on the handle and flush out the debris.



Apply teflon tape to the end of the shower arm and thread the showerhead on to the shower arm.



Installation Complete.

Cleaning Instructions

Rinse away any traces of soap and gently dry with a clean, soft cloth after each use. Rinse completely with water and dry any overspray. This will maintain the finish and avoid water spotting.

To remove mineral deposits, use a 50/50 solution of white vinegar and water. Do not allow the solution to soak on the product.

Simichrome Polish® contains a protective film to enhance maintenance and is helpful in preventing water spot buildup. Follow instructions to ensure optimum results.

Never use an abrasive material such as a brush or scouring pad to clean the surface. The use of abrasive cleaners, cleansers or disinfectants will alter the surface finish and void the warranty.

Do not allow certain materials such as toothpaste, cologne, shaving cream, nail polish remover, vinegar, wine, drain and glass cleaners to remain on the surface. Prolonged contact will alter surface finishes and void the warranty.

We DO NOT recommend using any household cleaners as many can cause damage to the finish.

Please see the website for care instructions for specific finishes.

Replacement Parts

NO.	Description	Part No.
1	Threaded Nipple Extension	5T1C0319NT
2	Pressure Balance Stem Extension	5P0C0582NT
3	Handle Assembly	9Q248500
4	Shower head	17-24 2.0 GPM 17-25 1.75 GPM

