

## Leyden Trim for Dual-handle Thermostatic Valve with Volume Control and Diverter

14-20-T

### Installation Instructions



#### Tools You Will Need



Adjustable Wrench



Adjustable Pliers



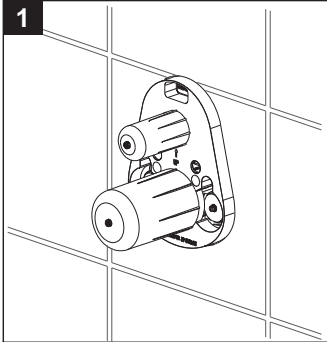
Screwdriver

For ease of installation you will need:

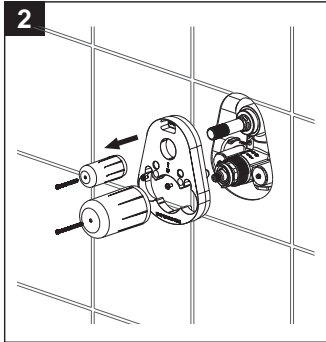
- To read the installation instructions completely before beginning.
- To read all warnings, care, and maintenance information.
- To complete the valve rough-in prior to installing this trim kit.

Before beginning installation, check for any damage that may have occurred during transport. **Note: Damage claims cannot be made during or after installation.**

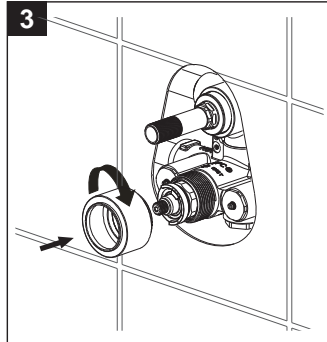
**Installation Instructions**



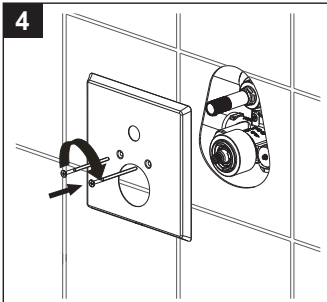
**1**  
Ensure that the valve is installed correctly.



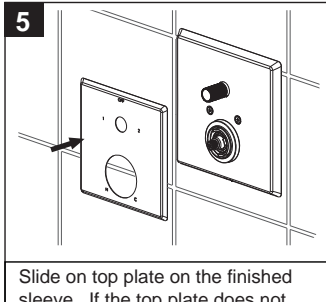
**2**  
Turn off the water supply and remove the mud guard.



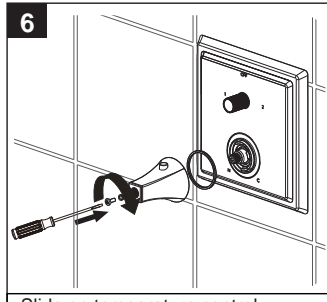
**3**  
Thread on finished sleeve.



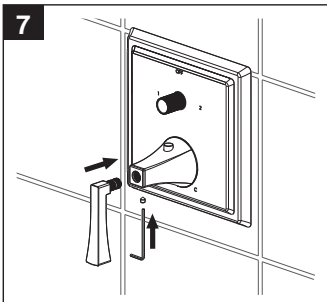
**4**  
Install escutcheon with 2 screws. Do not overtighten the screws.



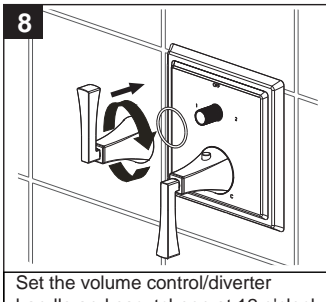
**5**  
Slide on top plate on the finished sleeve. If the top plate does not engage the finished sleeve an extension kit is necessary. Please contact your Crosswater London dealer.



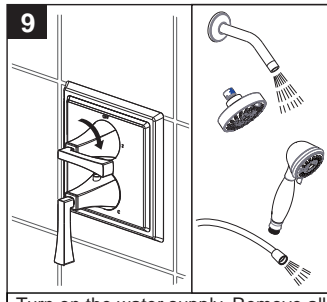
**6**  
Slide on temperature control escutcheon engaging the stem making sure the temperature override button facing straight up. Secure with screw.



**7**  
Align the handle at 6 o' clock position and slide handle into escutcheon and secure with set screw.



**8**  
Set the volume control/diverter handle and escutcheon at 12 o'clock and place on the top stem and nipple. Rotate the escutcheon clockwise to secure the assembly to the plate.



**9**  
Turn on the water supply. Remove all shower heads and/or hand showers. Turn the volume control/diverter handle to each function to flush the system.

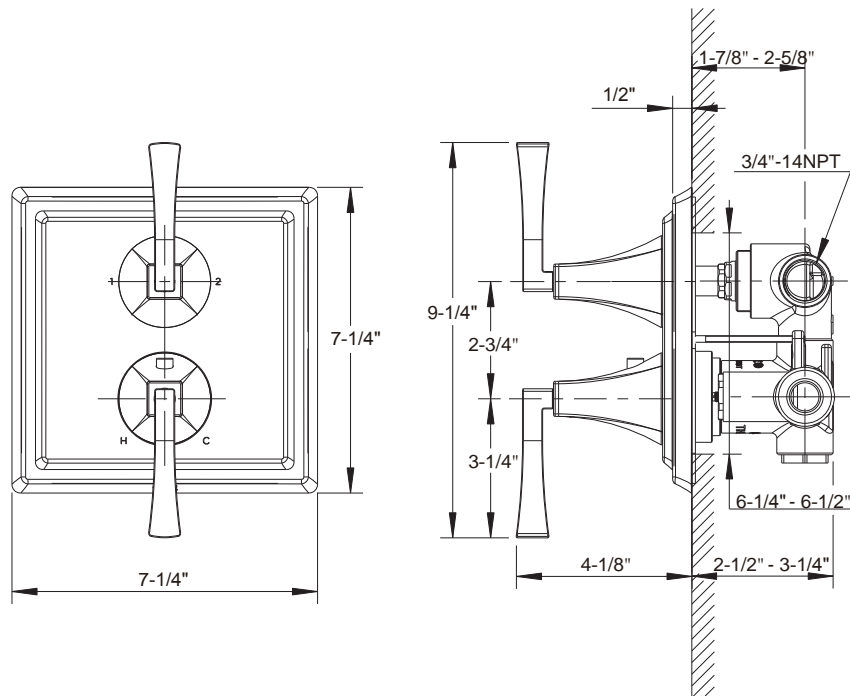
**Applicable Standards/Codes**

IAPMO certified to meet or exceed the following:

- ASME A112.18.1/CSA B125.1
- Uniform Plumbing Code
- National Plumbing Code of Canada
- ADA Compliant



**Installation Dimensions**



**10**

Safety Temperature  
100°F

Turn on the water supply, with the temperature control handle in the default position, measure the temperature of the water. If the temperature is 100°F, go to step #14, if not go to step #11.

**11**

Turn off the water supply. Remove temperature control handle and escutcheon.

**12**

Safety Temperature  
100°F

Rotate the cartridge stem to adjust safety temperature. Rotate clockwise to reduce temperature while rotate counterclockwise to increase temperature. Once the temperature is 100°F go to step #13.

**13**

Reinstall the temperature control handle and escutcheon making sure the temperature override button is on top and the handle is set at 6 o'clock.

**14**

Hottest Temperature  
107°F

The valve maximum temperature is set at 107°F. Should your customer like to change this go to step #15. If not go to step #20.

**15**

Turn off the water supply. Remove handle, escutcheon.

**16**

Remove the inner white temperature range control ring.

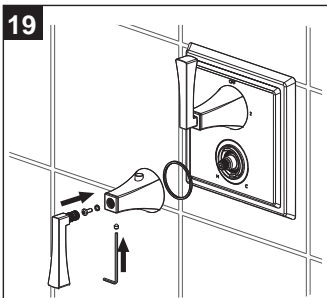
**17**

Rotate the inner white temperature range control ring to adjust temperature. Rotate clockwise to reduce temperature while rotate counterclockwise to increase temperature.

**18**

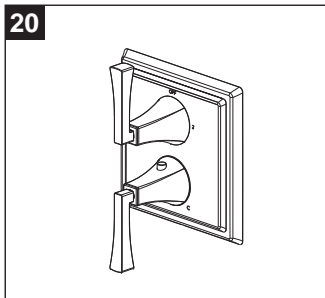
Reinstall the inner white temperature range control ring.

19



Reinstall handle, escutcheon.

20



Installation completed.

### Cleaning Instructions

- Only use a soft, dampened sponge or cloth to clean and polish the fixture.
- Wipe fixtures and the immediate areas clean and rinse completely with water immediately after installation and after applying any cleaner.
- If you are using a cleaning compound on or close to the product, please test the compound on a hidden area of the trim to ensure it will not damage the finish.
- Do not allow cleaners to soak anywhere on the product.

### Replacement Parts

NO.	Description	Part NO.
1	Spring & Button & Pin	9Q1112
2	Handle Assembly	9Q1208
3	Hex Set Screw	9Q1356NT
4	Screw M4X80	5T0F0266NT
5	Extension kit	9Q242000
6	Temperature Range Control Ring	5K202720PL

