

crosswater^x

LONDON

Leyden Pressure-balance Shower Set Trim
14-15-T

Installation Instructions



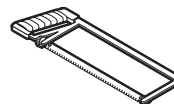
Tools You Will Need



Adjustable Wrench



Adjustable Pliers



Hacksaw



Teflon Tape



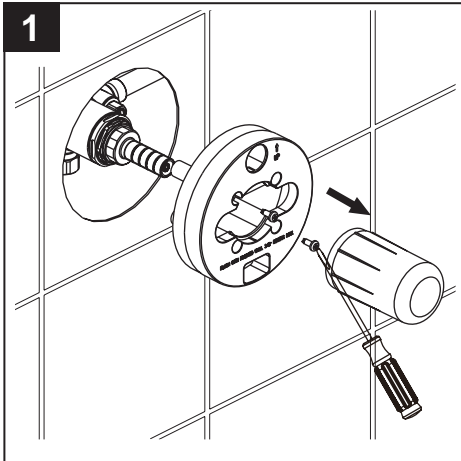
Screwdriver

For ease of installation you will need:

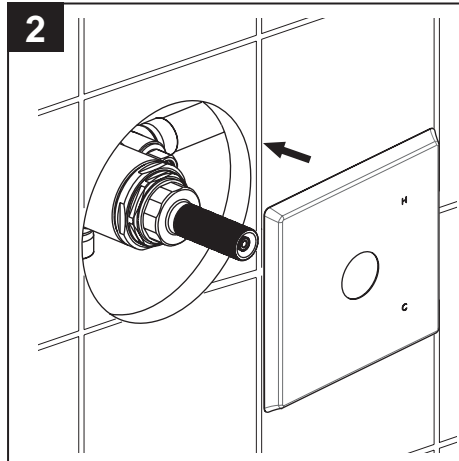
- To read the installation instructions completely before beginning.
- To read all warnings, care, and maintenance information.
- To complete the valve rough-in prior to installing this trim kit.

Before beginning installation, check for any damage that may have occurred during transport.
Note: Damage claims cannot be made during or after installation.

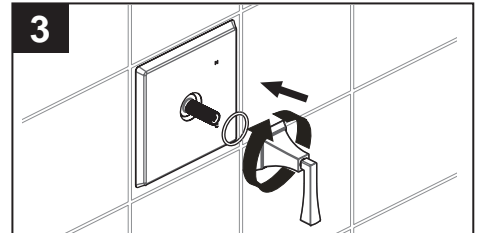
Installation Instructions



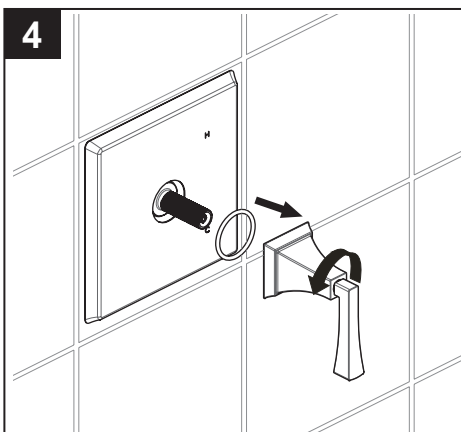
Remove the mud guard.



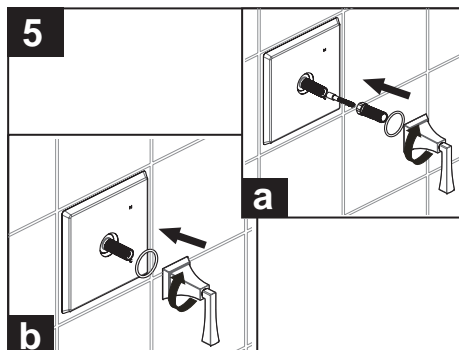
Carefully slide the escutcheon on valve.



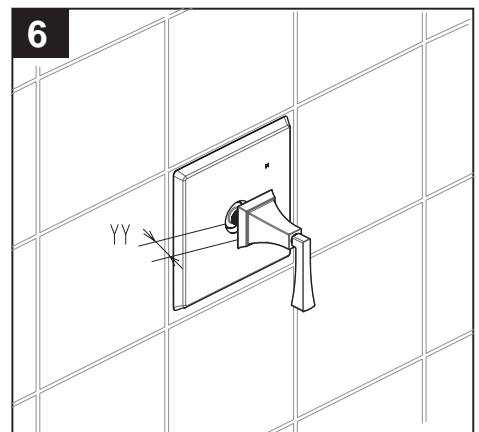
Place the handle assembly on the valve and rotate clockwise securing the handle assembly and escutcheon to the wall and engaging the stem.
 - If all functions smoothly go to step #10.
 - If the handle assembly will not engage the stem, go to step #4.
 - If the handle assembly will not bottom out on the escutcheon go to step #6.



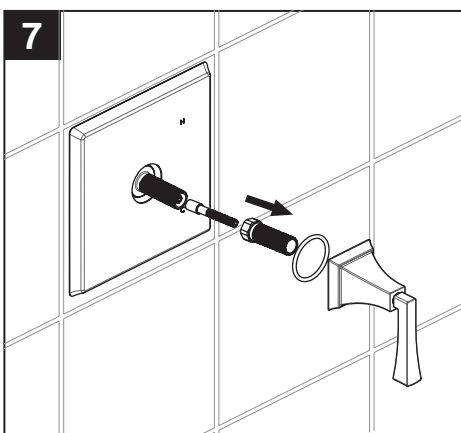
If the handle assembly will not engage the stem, remove the handle assembly.



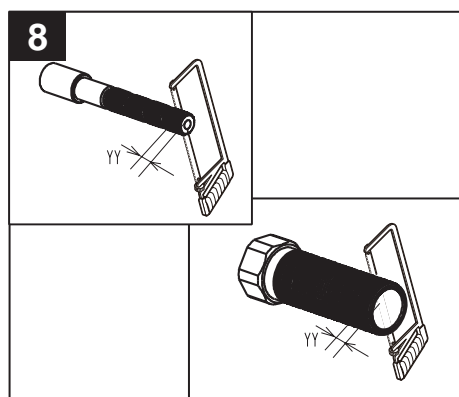
a.) Add the threaded nipple and pressure balance stem extensions.
 b.) Attach handle assembly.
 c) If all functions smoothly go to step #10. If the handle assembly will not bottom out on the escutcheon go to step #6.



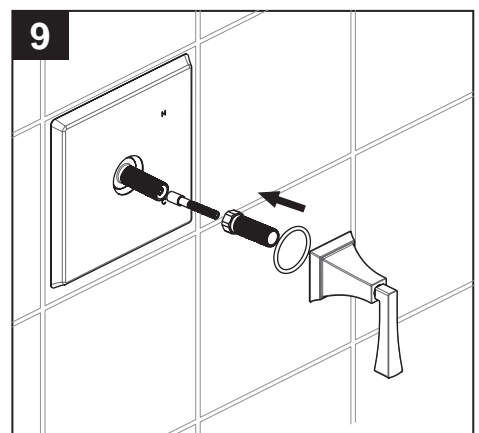
Measure and note the distance 'YY' (the distance between the bottom of the handle assembly and the escutcheon).



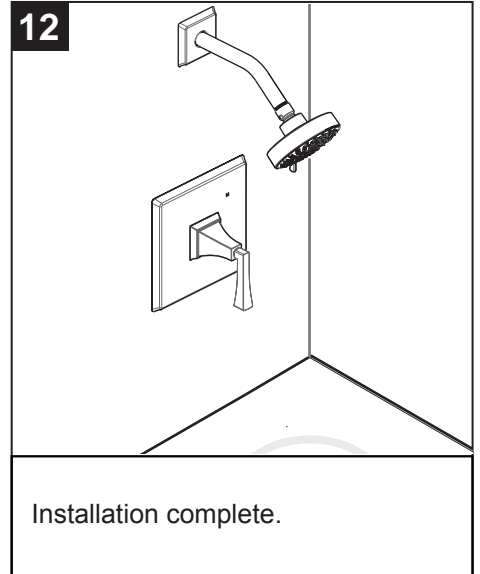
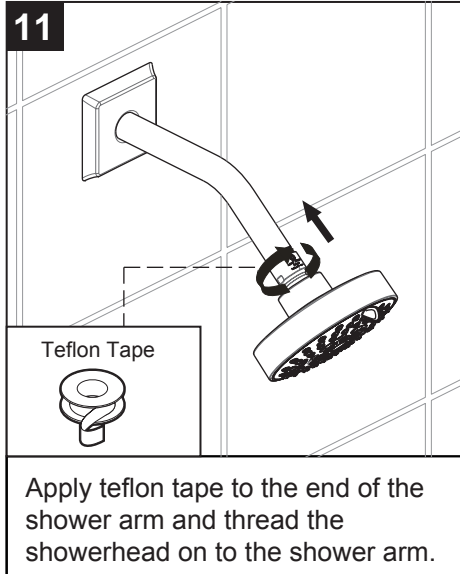
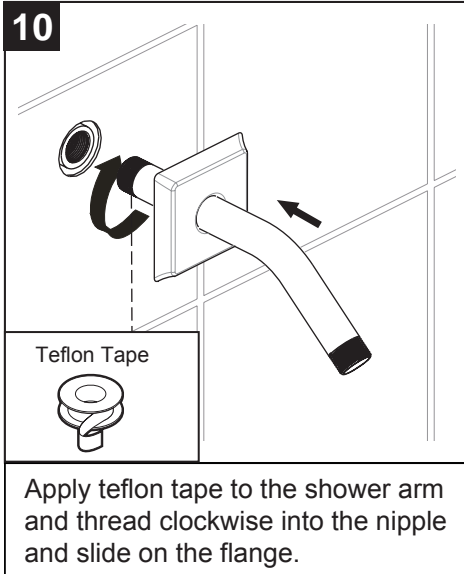
Remove the handle assembly and nipple and stem extensions.



Cut stem and nipple extensions the amount noted in step # 6. (Never cut the stem and nipple while still on the valve. This may damage the valve.)



Re-install the nipple and stem extension and handle assembly.

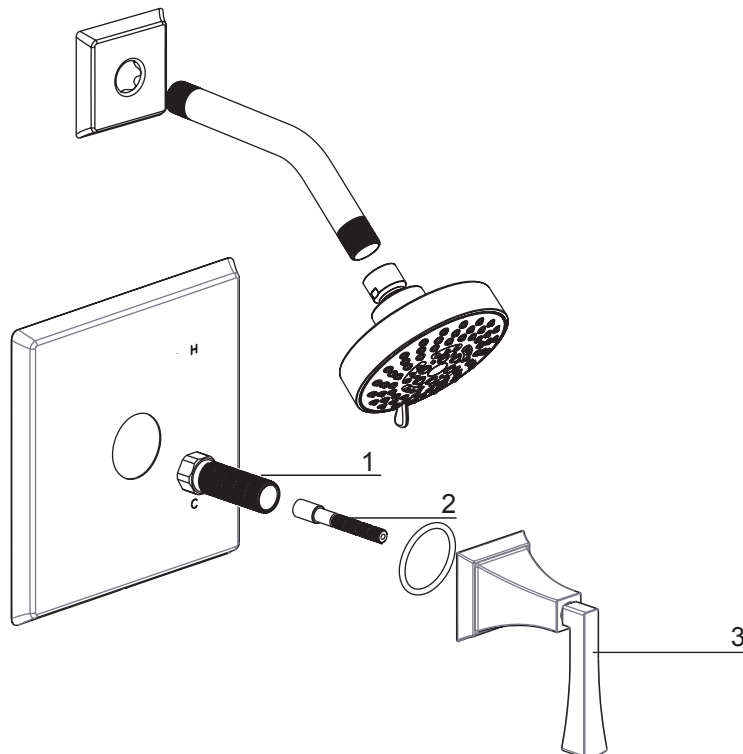


Cleaning Instructions

- Only use a soft, dampened sponge or cloth to clean and polish the fixture.
- Wipe fixtures and the immediate areas clean and rinse completely with water immediately after installation and after applying any cleaner.
- If you are using a cleaning compound on or close to the product, please test the compound on a hidden area of the trim to ensure it will not damage the finish.
- Do not allow cleaners to soak anywhere on the product.

Replacement Parts

NO.	Description	Part No.
1	Threaded Nipple Extension	5T1C0319NT
2	Pressure Balance Stem Extension	5P0C0582NT
3	Handle Assembly	9Q1111



Applicable Standards/Codes

IAPMO certified to meet or exceed the following:

- ASME A112.18.1/CSA B125.1
- Uniform Plumbing Code
- National Plumbing Code of Canada
- EPA WaterSense
- ADA Compliant



Installation Dimensions

