

Leyden Pressure-balance Tub and Shower Set Trim
14-14-T

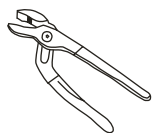
Installation Instructions



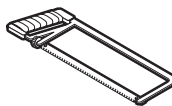
Tools You Will Need



Adjustable Wrench



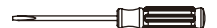
Adjustable Pliers



Hacksaw



Teflon Tape



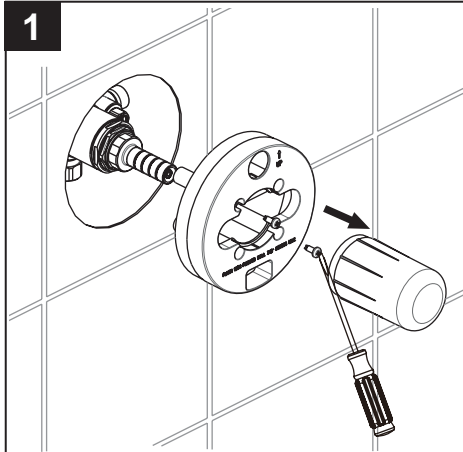
Screwdriver

For ease of installation you will need:

- To read the installation instructions completely before beginning.
- To read all warnings, care, and maintenance information.
- To complete the valve rough-in prior to installing this trim kit.

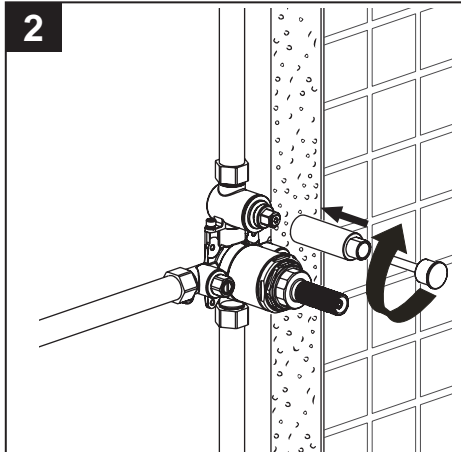
Before beginning installation, check for any damage that may have occurred during transport.
Note: Damage claims cannot be made during or after installation.

Installation Instructions



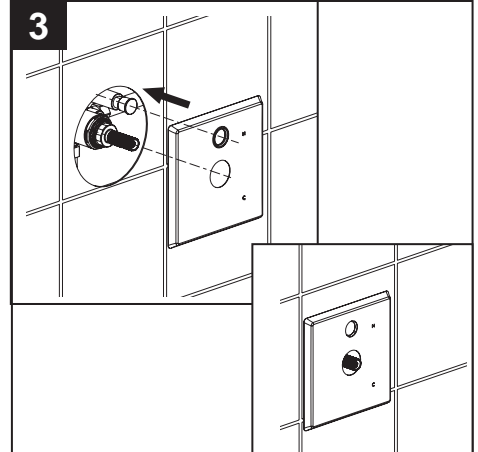
1

Remove the mud guard.



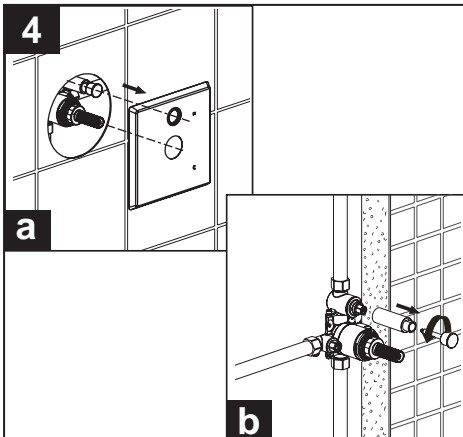
2

Install diverter sleeve, stem and button on to the valve.



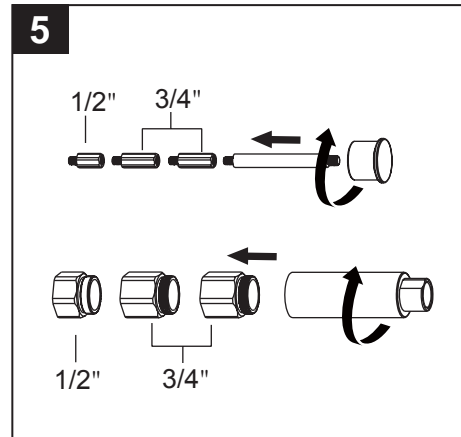
3

Carefully slide escutchen on valve. If diverter knob is accessible, go to step #13. If not continue to step #4.



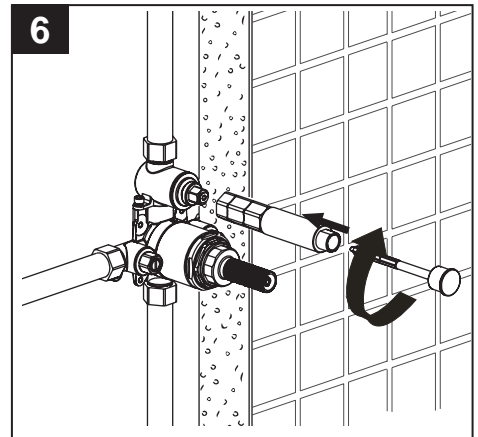
4

Remove escutcheon, diverter sleeve, stem and button.



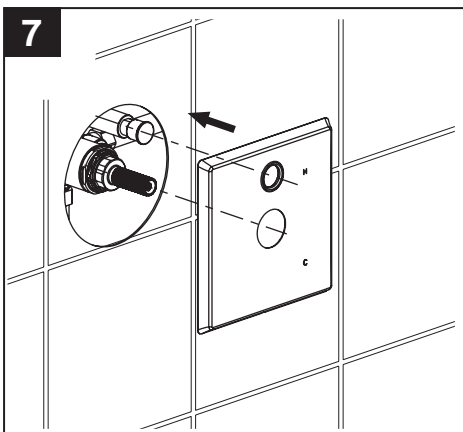
5

Install the appropriate diverter stem and sleeve extensions supplied with the trim to allow easy access to the diverter button.



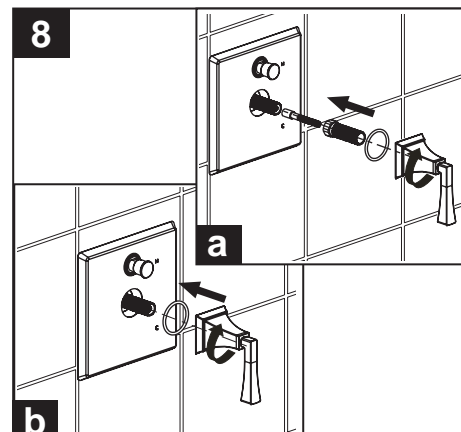
6

Install diverter stem and sleeve onto the valve.



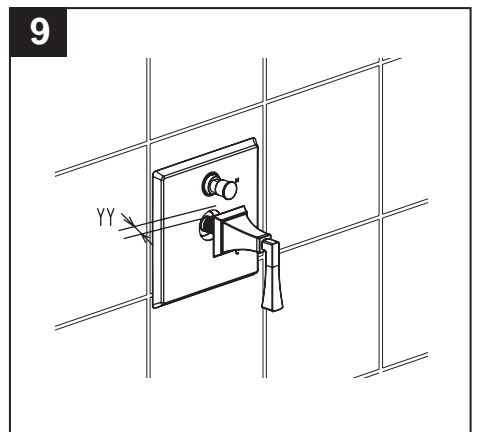
7

Carefully slide the escutcheon on valve.



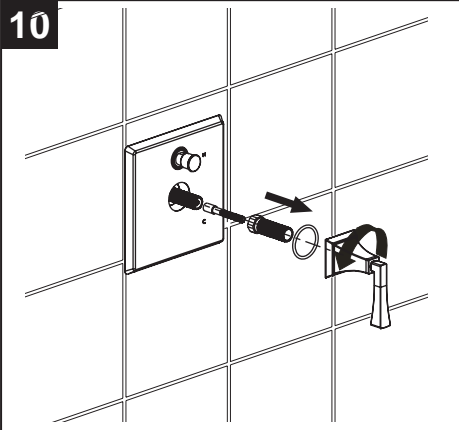
8

a.) Add the threaded nipple and pressure balance stem extensions.
b.) Attach handle assembly.

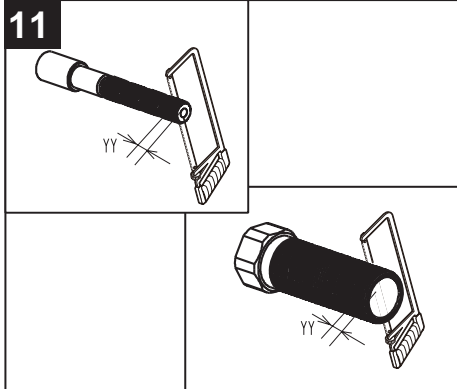


9

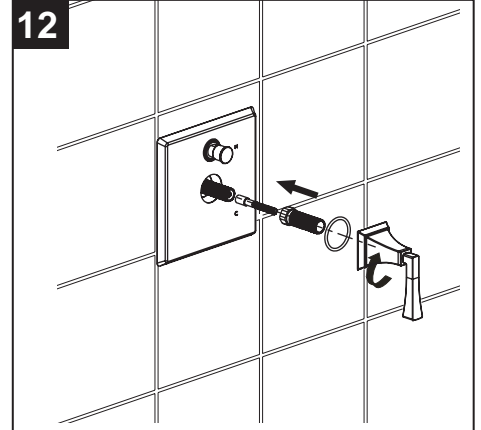
Measure and note the distance 'YY' (the distance between the bottom of the handle assembly and the escutcheon).



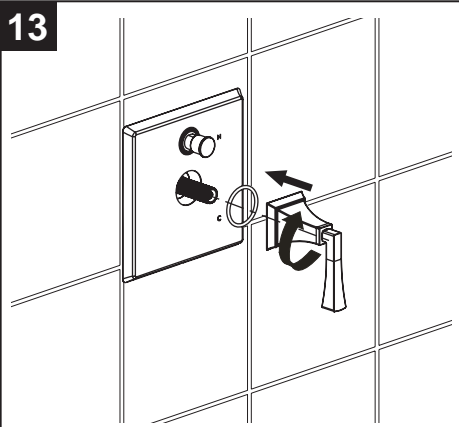
Remove the handle and escutcheon assembly, the plate, stem and nipple.



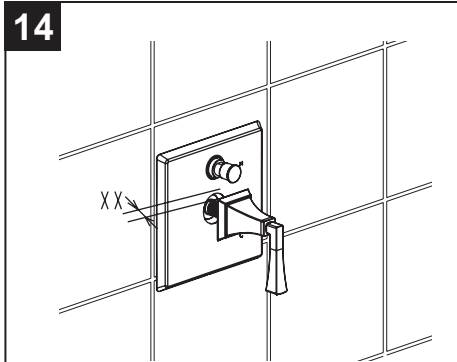
Cut stem and nipple extensions the amount noted in step # 9. (Never cut the stem and nipple while still on the valve. This may damage the valve.)



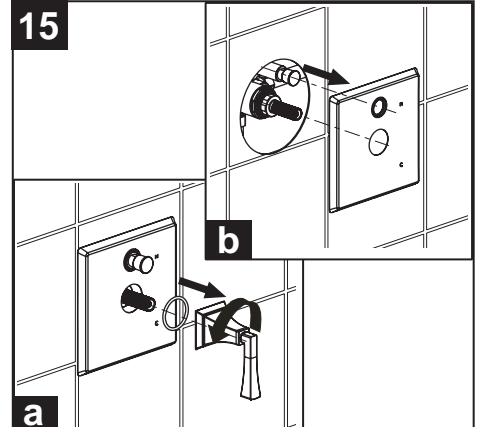
Re - install the nipple and stem extensions. Then, go to step #19.



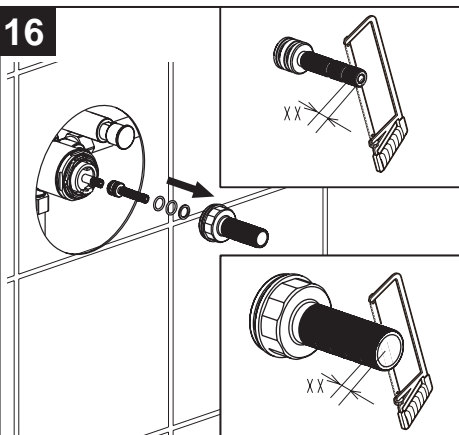
Place handle assembly on valve and rotate clockwise to secure escutcheon.



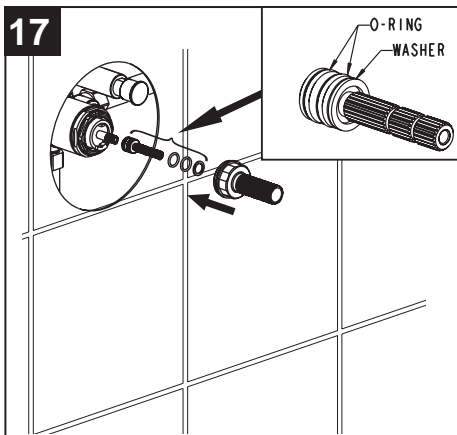
If handle assembly will not secure escutcheon to the wall, measure and note the distance 'XX' (the distance between the bottom of the handle assembly and the escutcheon)



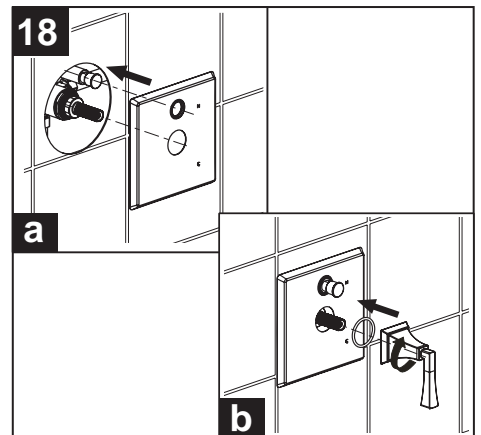
Remove the handle and escutcheon assembly, the plate, stem and nipple.



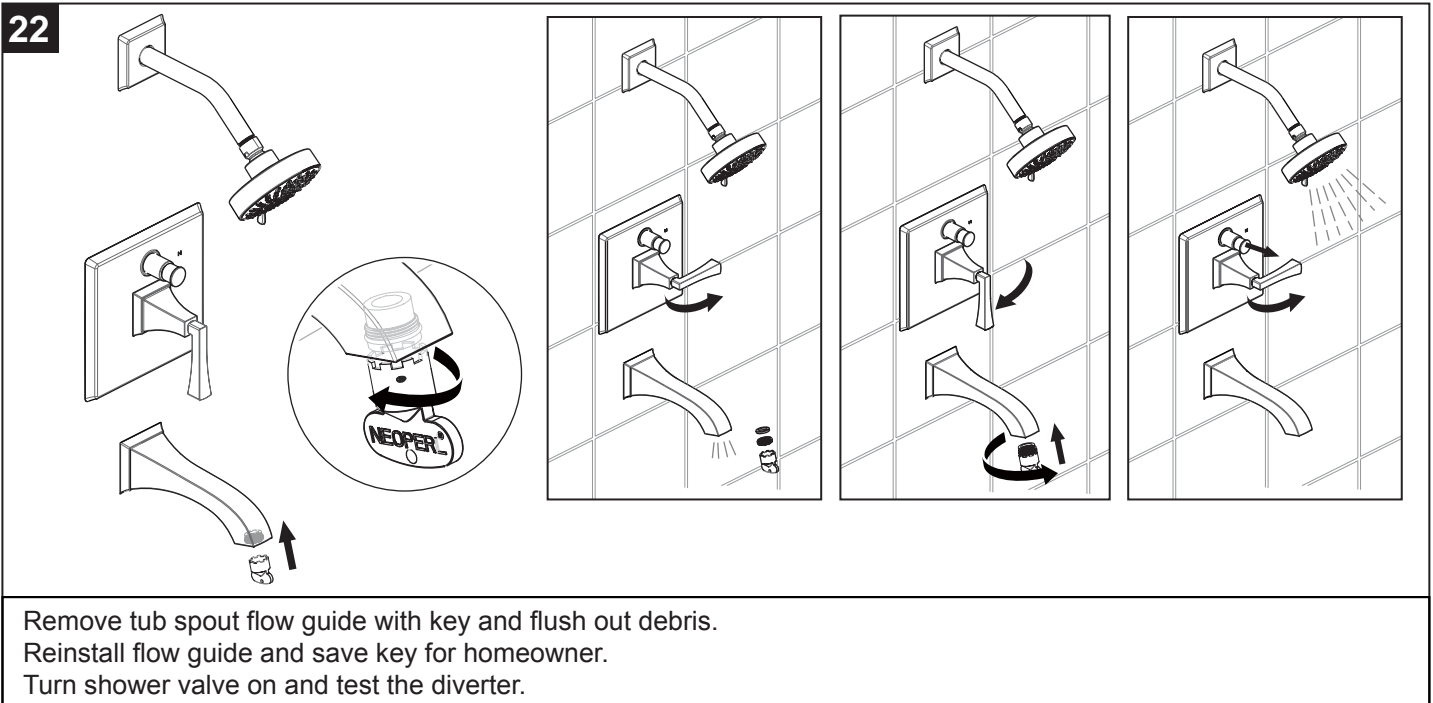
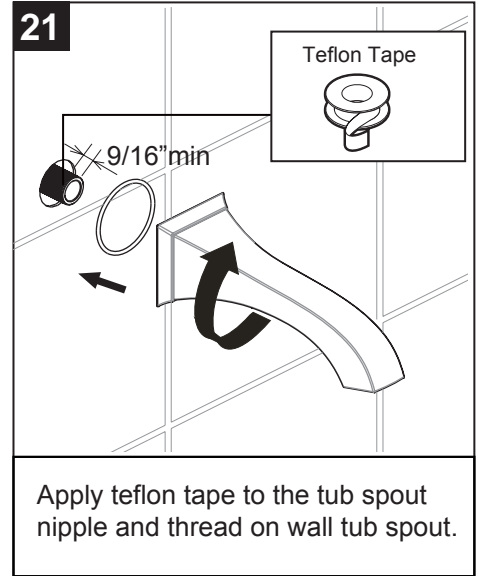
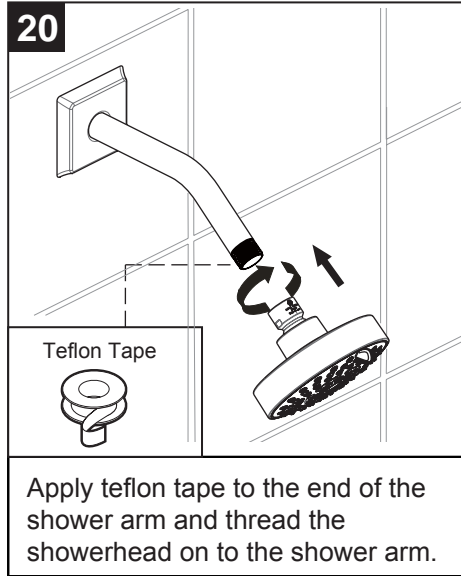
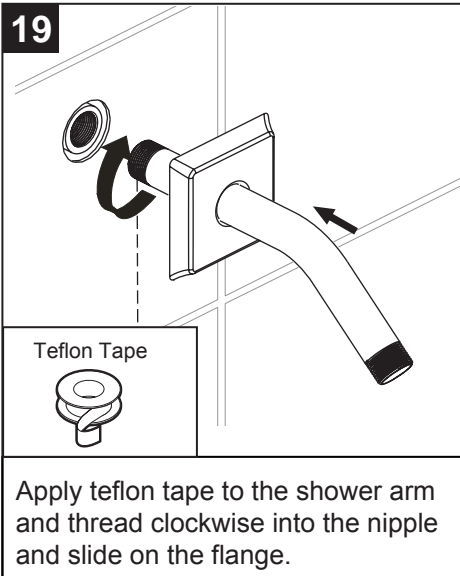
Cut stem and nipple the amount noted in step # 14. (Never cut the stem and nipple while still on the valve. This may damage the valve.)



Re-install the trimmed stem and nipple on the valve.



Place escutcheon on valve. Thread on handle assembly to secure escutcheon.

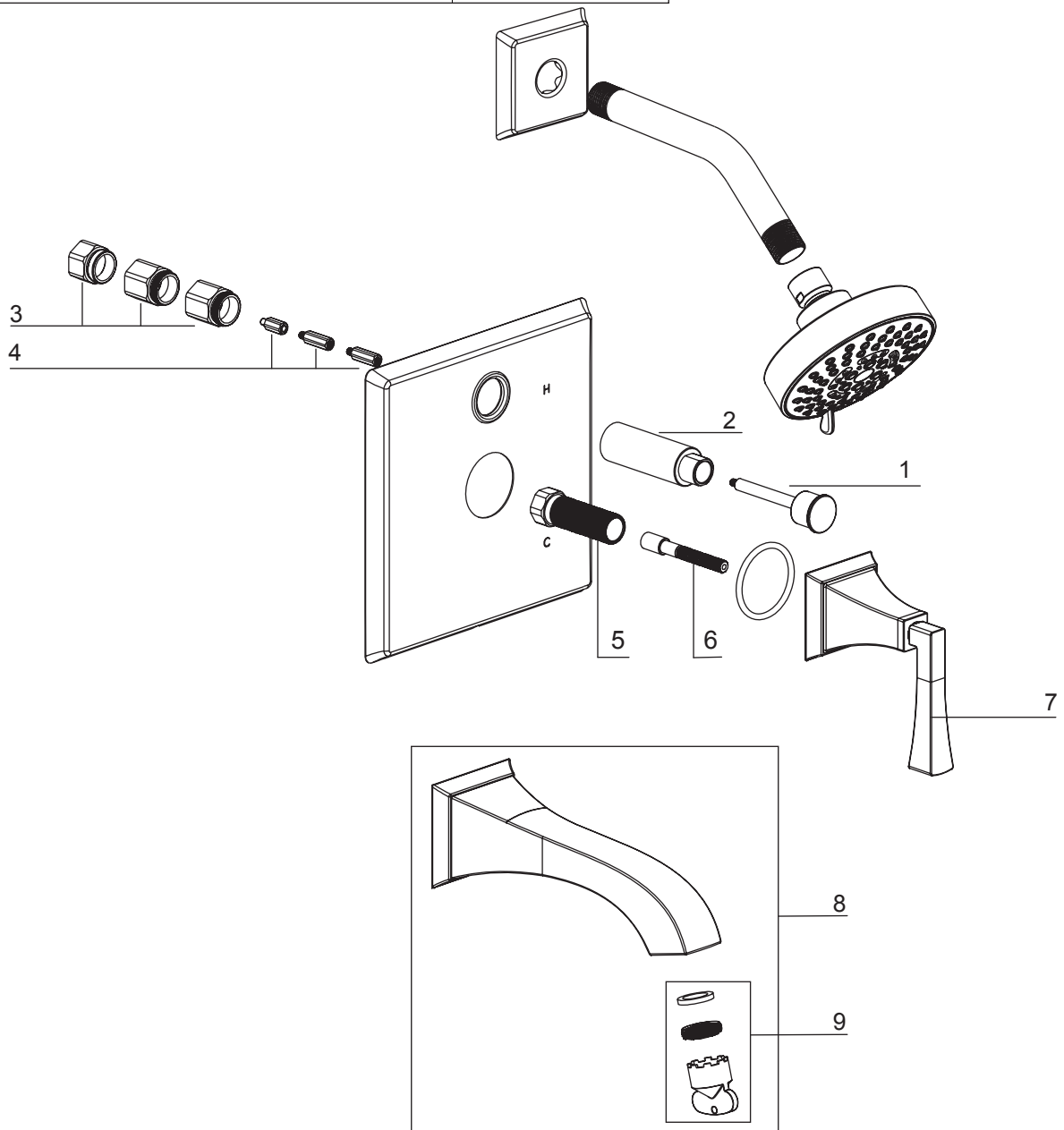


Cleaning Instructions

- Only use a soft, dampened sponge or cloth to clean and polish the fixture.
- Wipe fixtures and the immediate areas clean and rinse completely with water immediately after installation and after applying any cleaner.
- If you are using a cleaning compound on or close to the product, please test the compound on a hidden area of the trim to ensure it will not damage the finish.
- Do not allow cleaners to soak anywhere on the product.

Replacement Parts

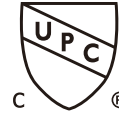
No.	Description	Part No.
1	Diverter Knob & Stem	9Q1174
2	Diverter Knob Sleeve	5L0C0871
3	Diverter Knob Stem Extensions	9Q1175NT
4	Diverter Knob Sleeve Extensions	9Q1176NT
5	Threaded Nipple Extension	5T1C0319NT
6	Pressure Balance Stem Extension	5P0C0582NT
7	Handle Assembly	9Q1111
8	Spout Assembly	9Q1183
9	Spout flow guide and key	9Q1110PL



Applicable Standards/Codes

IAPMO certified to meet or exceed the following:

- ASME A112.18.1/CSA B125.1
- Uniform Plumbing Code
- National Plumbing Code of Canada
- EPA WaterSense
- ADA Compliant



Installation Dimensions

