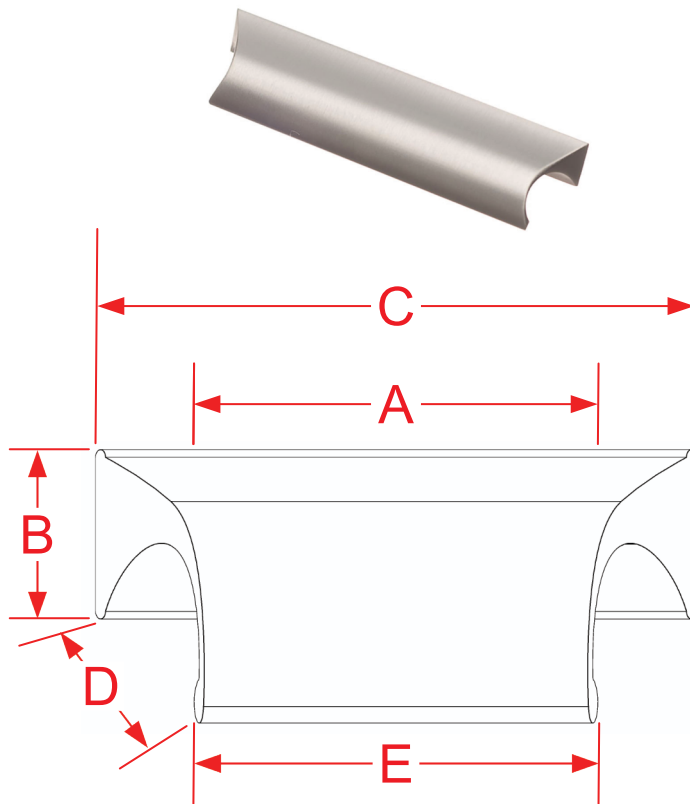


420, 425, 435, 445 and 455 Series Cabinet Hardware Pulls

Finishes for Life
TARNISH-FREE GUARANTEED



Part #	A Center to Center	B Height	C Back Diameter	D Projection	E Front Diameter
420	1.0000"	0.5000"	2.0000"	0.8750"	1.3750"
425	1.5000"	0.5000"	2.5000"	0.8750"	1.8750"
435	2.50" & 3.00"	0.5000"	3.5000"	0.8750"	2.8750"
445	3.5000"	0.5000"	4.5000"	0.8750"	3.8750"
455	3.5000"	0.5000"	5.5000"	0.8750"	4.8750"
Through-Bolt Mounting Only					



Manufacturing Fine Architectural Hardware
in the USA Since 1927



Copyright 2015
Colonial Bronze Company
All rights reserved
www.colonialbronze.com -
860.489.9233