



A Moen Incorporated Brand

# SPECIFICATION SHEET

## DESCRIPTION

- Metal construction with various finishes identified by suffix
- 2-3/4" lever handles withstand up to 300 in.-lbs. of torque
- 7" metal spout with stream straightener
- Six (6) individual boxes per master carton

## OPERATION

- 1/4" turn operation
- Installs on 8" to 16" centers
- For use in deck thicknesses up to 1.5"

## FLOW

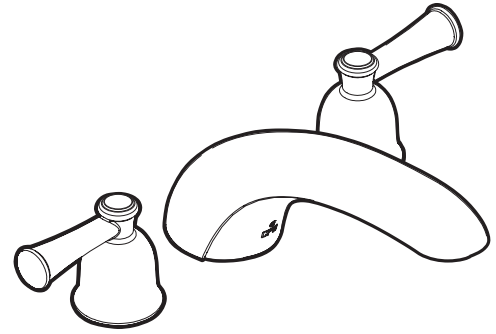
- High volume cartridges yield 11.5 gpm (43.4 L/min) @60 psi

## STANDARDS

- Third party certified to CSA B125, ASME A112.18.1, ANSI A117.1, IAPMO, and all applicable requirements referenced therein, California Proposition 65, Illinois, Massachusetts, and Texas
- All CFG products are compliant to all plumbing codes that require 3rd party certification to the applicable plumbing/fitting standards

## WARRANTY – RESIDENTIAL, COMMERCIAL

- Ten year limited warranty against defects in materials and manufacturing workmanship
- Refer to the installation instructions enclosed with each CFG product or call 1-888-450-4910 for complete warranty information

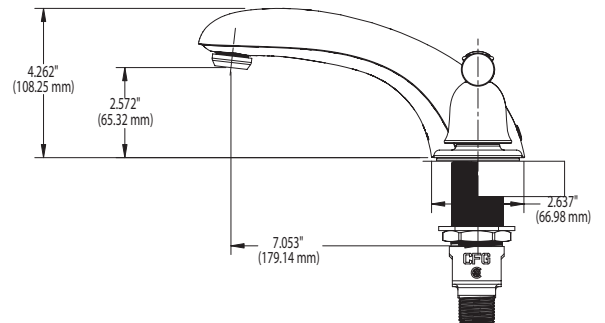
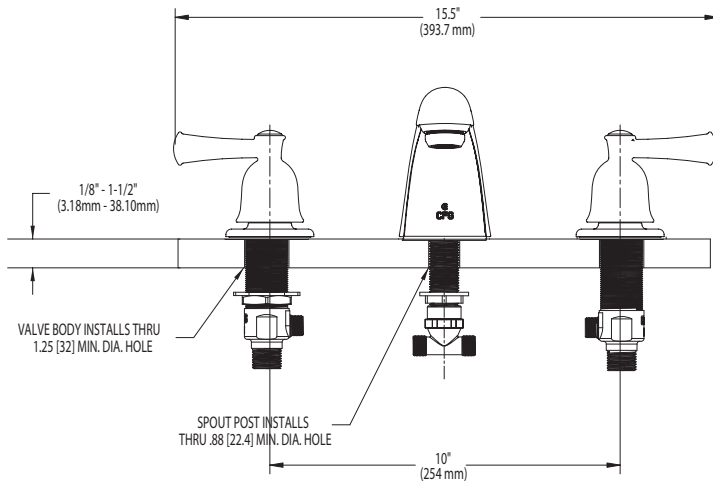


# Capstone™

## Garden Tub Trim

Model: T41411 series

Valve: 45801



## CRITICAL DIMENSIONS

(DO NOT SCALE)