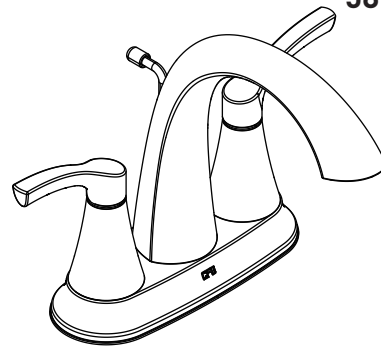


CFG

Models:
58911 series
589111 series

Ash™



4" Lavatory Faucet with 50/50 Waste Assembly

DESCRIPTION

- Metal construction with various finishes identified by suffix
- 1/2" IPS connections
- Includes 50/50 pop-up waste assembly

OPERATION

- Lever style handles
- Maximum handle(s) rotation angle is 90° to full on
- Rotate hot side counterclockwise to open (clockwise to close)
- Rotate cold side clockwise to open (counterclockwise to close)

FLOW

- Water usage is limited to these maximum flow rates as indicated by the corresponding product markings
 - 58911 series flow limited to 1.2 gpm max (4.5 L/min) at 60 psi
 - 589111 series flow limited to 1.0 gpm max (3.8 L/min) at 60 psi

CARTRIDGE

- 1234 cartridge design
- Nonmetallic and stainless steel material

STANDARDS

Third party certified to WaterSense®, ASME A112.18.1/CSA B125.1 and all applicable requirements referenced therein

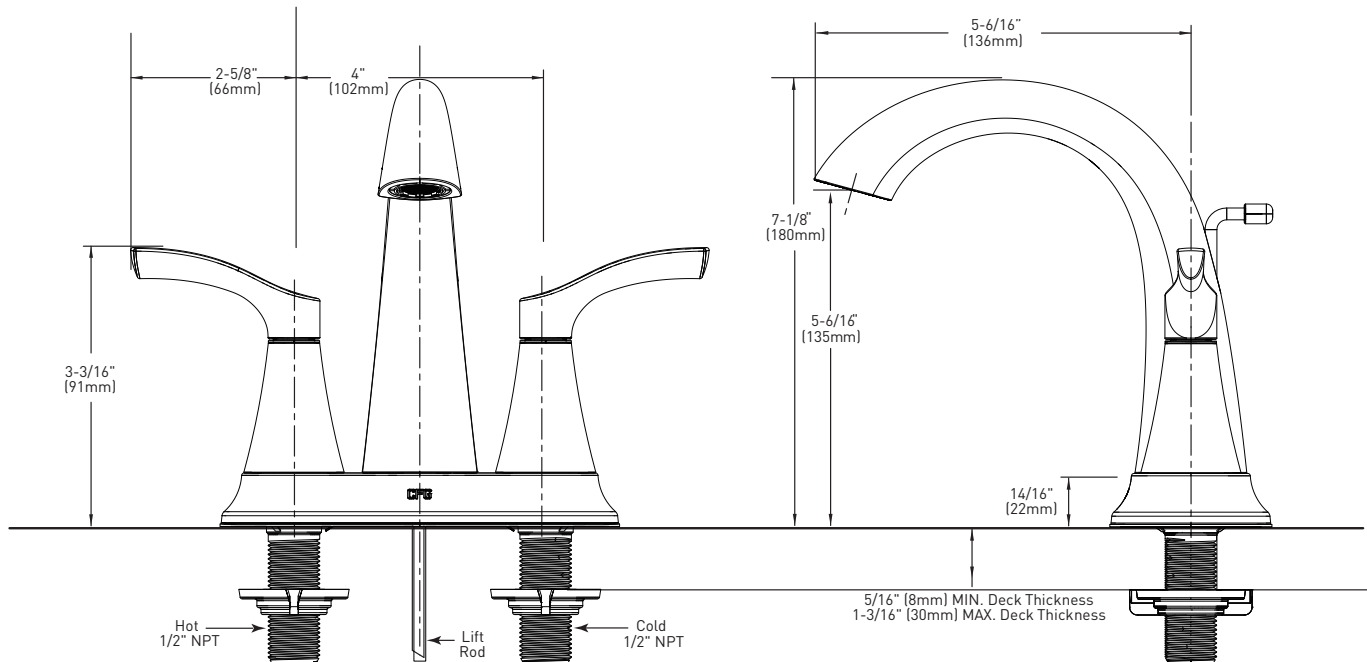
- Certified to NSF 61/9 & 372
- Products marked with 1.2 gpm are compliant with California water efficiency regulations
- Complies with California Proposition 65 and with the Federal Safe Drinking Water Act
- ADA for lever handles

WARRANTY - RESIDENTIAL, COMMERCIAL

- Ten year limited warranty against defects in materials and manufacturing workmanship
- Refer to the installation instructions enclosed with each CFG product or call 1-888-450-5522 for complete warranty information

NOTE: This faucet is designed to be installed thru 3 holes, 1" min. Dia.

*Includes hot (red) and cold (blue) indicators.



CRITICAL DIMENSIONS
(DO NOT SCALE)