



## Model # 5138

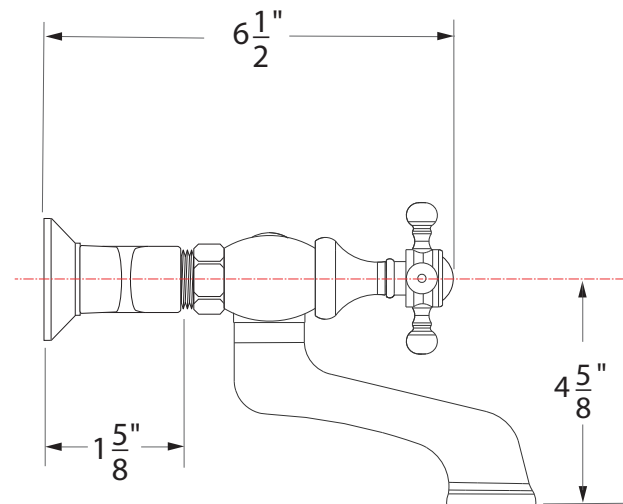
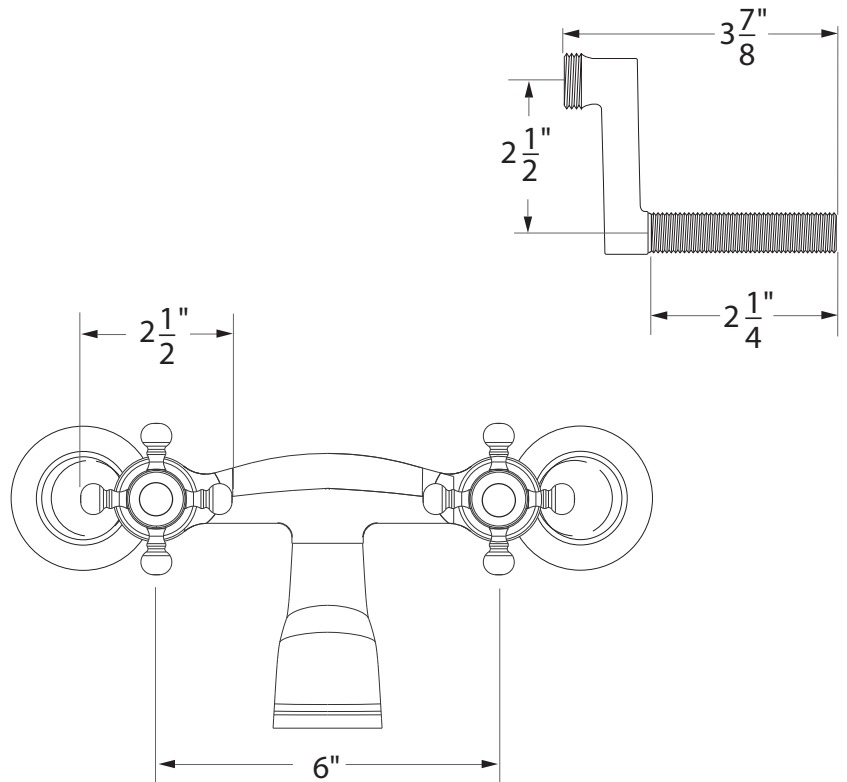
### INSTRUCTIONS

1. Attach the S-Union to the tub with flat metal washer and 1/2" lock nut. Make sure that escutcheon is tight against S-Union arm (hand tighten only).

2. Attach faucet to S-Unions (3/4" rubber washers must be installed) and adjust faucet so that it sits level. Now tighten hex nuts on back of faucet to secure the S-Unions. Then tighten the 1/2" lock nuts on the back of the S-Unions to secure faucet on vertical surface.

3. Next connect the water supply lines. Must have hot going to hot side & cold to the cold side. If using 1/2" OD decorative supply line connect the hex nuts at the top of the supply lines to the back of the S-Unions. If installing inside the wall use copper fittings.

4. Once installed, remove aerator to flush faucet and water lines. This will remove any debris that may be trapped. Then attach aerator.



### CARE AND MAINTENANCE

Minimum Maintenance is required to maintain product finish. With proper maintenance your CHEVIOT Faucet will continually look like new. Special care should be taken when cleaning your faucet and the following suggestions should help extend your faucet life.

- Cleaning should be done regularly using a soft cotton cloth and warm water, then towel dry.
- Do not use cleaners that contain abrasives or harsh chemicals; Care should be taken in selecting cleaning supplies. Many cleaners contain detergents, ammonia, or other corrosive solvents that could damage your faucet finish.
- occasionally clean with a non-abrasive wax polish.

# Cheviot

PRODUCTS INC

## Model # 3980

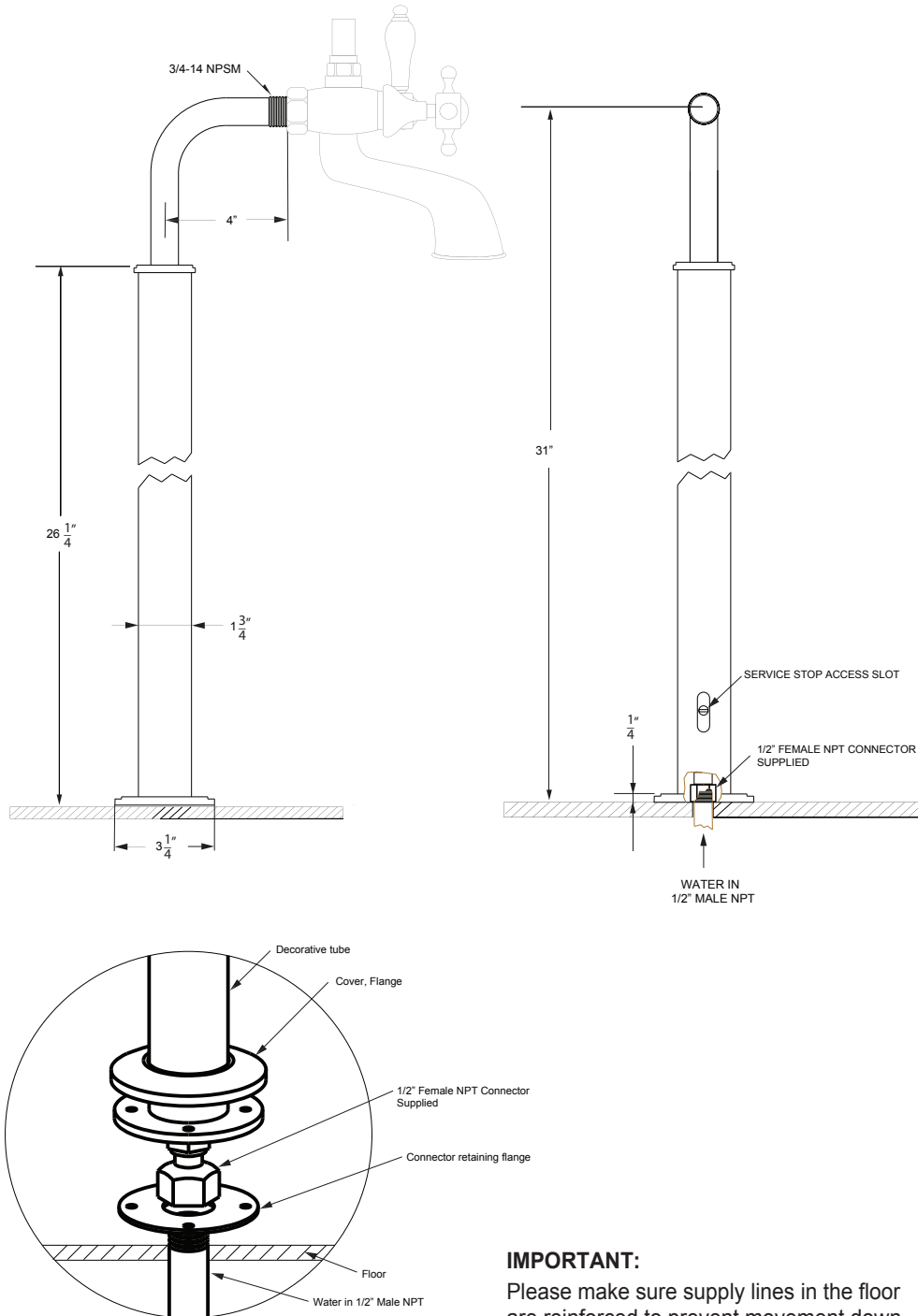
### INSTRUCTIONS

1. Install connector retaining flange over 1/2" male pipe.
2. Connect 1/2" Female NPT connector with 1/2" male pipe protruding from mounting surface approximately 1/2" - 1". Capture flange between 1/2" Female NPT connector and 1/2" male pipe.

#### IMPORTANT:

Please make sure supply lines in the floor are reinforced to prevent movement down, or there is a possibility of leaks.

3. Connect service stop valve with slotted operating screw facing the rear of the installation - Check the slotted operating screw has remained in position.
4. Slide decorative tube over inner tube with access slot aligned with stop valve operating screw.
5. Slide decorative flange over outer tube, and place on the top of floor mounting flange.
6. Slide union into decorative tube, install the faucet, and lock union in position using the hex key supplied.



#### IMPORTANT:

Please make sure supply lines in the floor are reinforced to prevent movement down, or there is a possibility of leaks.

#### NOTE

Before drilling holes in floor, determine the width of the faucet supply nuts that you want to attach the riser tubes to (these will be for how far apart you will be drilling holes). Now determine where your tub lip will be to make sure faucet spout is at least 1" inside of tub lip.

#### CARE AND MAINTENANCE

Minimum Maintenance is required to maintain product finish. With proper maintenance your CHEVIOT Faucet will continually look like new. Special care should be taken when cleaning your faucet and the following suggestions should help extend your faucet life.

- a) Cleaning should be done regularly using a soft cotton cloth and warm water, then towel dry.
- b) Do not use cleaners that contain abrasives or harsh chemicals; Care should be taken in selecting cleaning supplies. Many cleaners contain detergents, ammonia, or other corrosive solvents that could damage your faucet finish.
- c) occasionally clean with a non-abrasive wax polish.

Tel: (800)-444-5969

www.cheviotproducts.com