

Model # 5102

INSTRUCTIONS

1. First make sure that the supply lines have 3/4" connection that match the inlet connections in the back of the tub filler faucet. If connections do not match an adaptor may have to be obtained from a plumbing store. Cheviot Products suggests using only Cheviot Products' supply line for use with their faucets to avoid any problems.

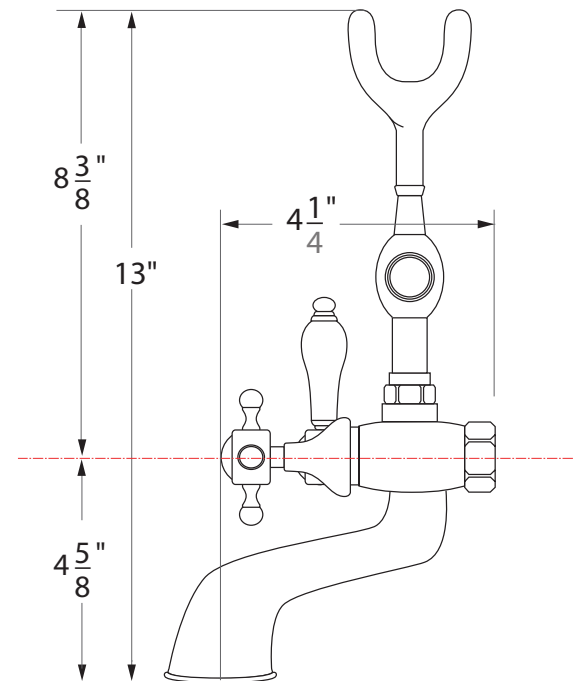
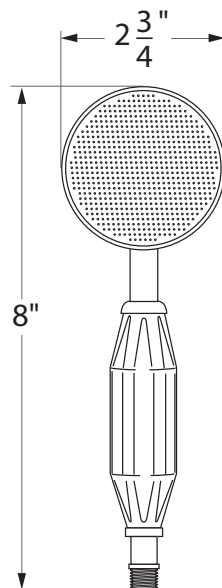
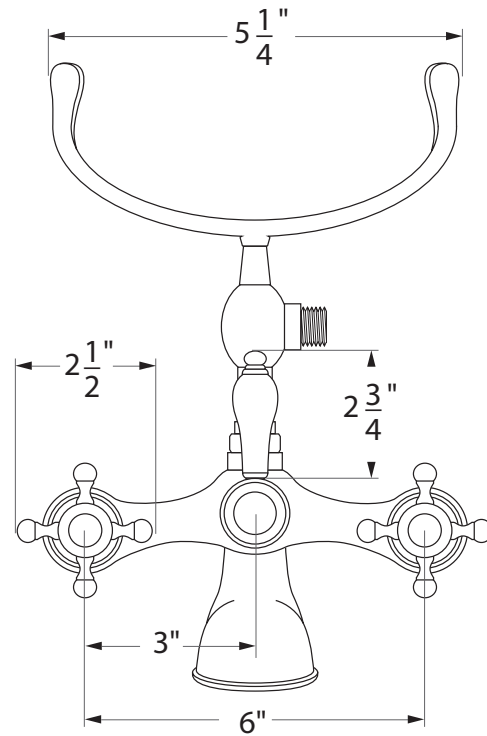
2. First install the desired supply lines into the floor and connect the plumbing. Next, install the tub filler faucet to the 3/4" connections at the top of the supply lines. Make sure the washer is inserted.

3. Next double check that the water supply lines have hot going to hot side & cold to the cold side. If using 1"OD Cheviot Products supply lines connect the hex nuts at the back faucet to the threaded connections on the top of the supply lines.

4. Install the hand shower cradle on to the top of the faucet body. Place the rubber washer in the hex nut at the base of the cradle and tighten until sealed and secure.

5. To install the shower hose place the 1/2" rubber washers in the cone nuts at both ends of the shower hose. Install one end to the side port on the cradle stand and one end to the bottom of the hand shower. Hand tighten.

6. Once installed, remove aerator and hand shower to flush faucet and water lines. This will remove any debris that may be trapped. Then attach shower head and aerator.



CARE AND MAINTENANCE

Minimum Maintenance is required to maintain product finish. With proper maintenance your CHEVIOT Faucet will continually look like new. Special care should be taken when cleaning your faucet and the following suggestions should help extend your faucet life.

- Cleaning should be done regularly using a soft cotton cloth and warm water, then towel dry.
- Do not use cleaners that contain abrasives or harsh chemicals; Care should be taken in selecting cleaning supplies. Many cleaners contain detergents, ammonia, or other corrosive solvents that could damage your faucet finish.
- occasionally clean with a non-abrasive wax polish.

Cheviot

PRODUCTS INC

Model # 3980

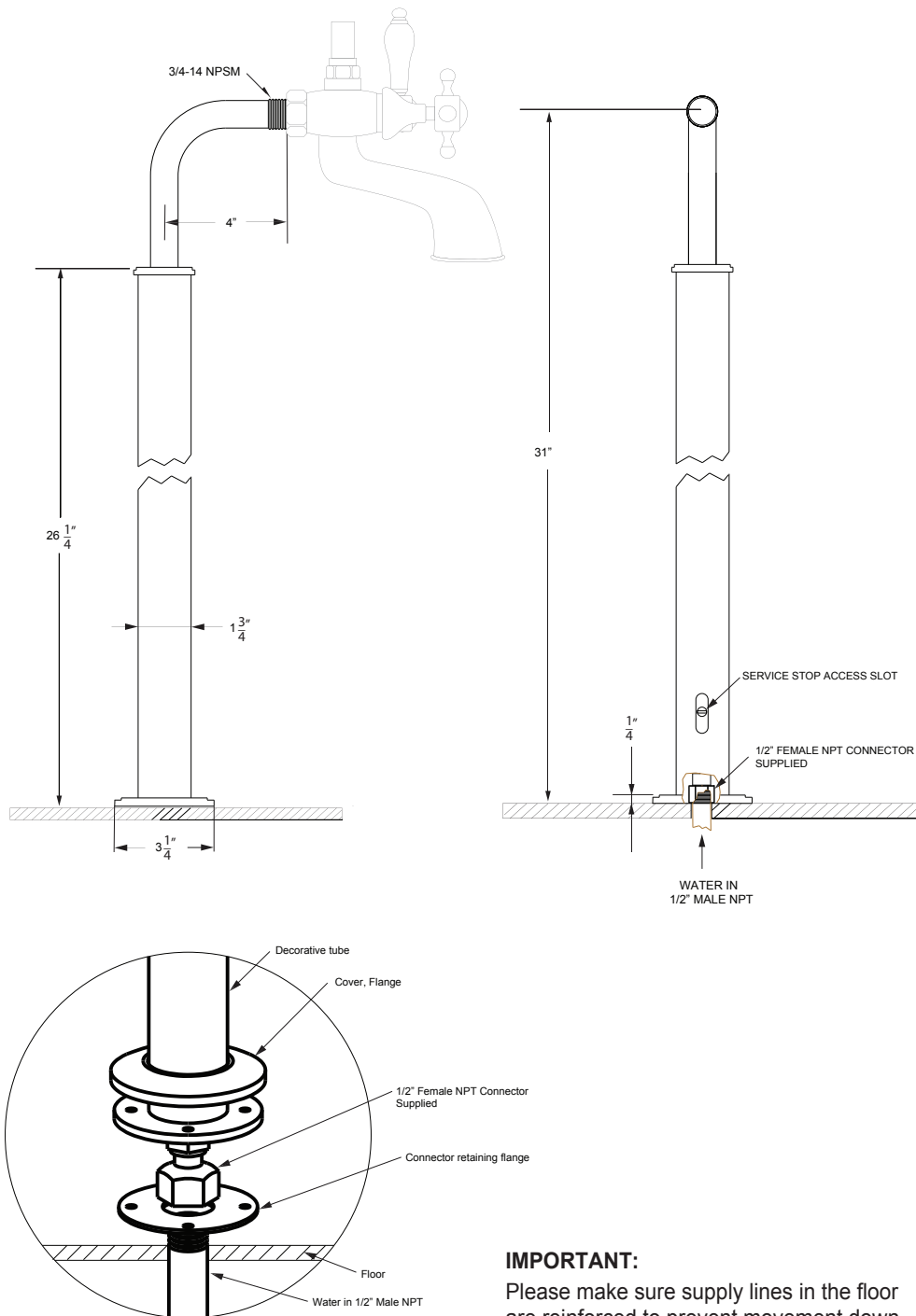
INSTRUCTIONS

1. Install connector retaining flange over 1/2" male pipe.
2. Connect 1/2" Female NPT connector with 1/2" male pipe protruding from mounting surface approximately 1/2" - 1". Capture flange between 1/2" Female NPT connector and 1/2" male pipe.

IMPORTANT:

Please make sure supply lines in the floor are reinforced to prevent movement down, or there is a possibility of leaks.

3. Connect service stop valve with slotted operating screw facing the rear of the installation - Check the slotted operating screw has remained in position.
4. Slide decorative tube over inner tube with access slot aligned with stop valve operating screw.
5. Slide decorative flange over outer tube, and place on the top of floor mounting flange.
6. Slide union into decorative tube, install the faucet, and lock union in position using the hex key supplied.



IMPORTANT:

Please make sure supply lines in the floor are reinforced to prevent movement down, or there is a possibility of leaks.

NOTE

Before drilling holes in floor, determine the width of the faucet supply nuts that you want to attach the riser tubes to (these will be for how far apart you will be drilling holes). Now determine where your tub lip will be to make sure faucet spout is at least 1" inside of tub lip.

CARE AND MAINTENANCE

Minimum Maintenance is required to maintain product finish. With proper maintenance your CHEVIOT Faucet will continually look like new. Special care should be taken when cleaning your faucet and the following suggestions should help extend your faucet life.

- a) Cleaning should be done regularly using a soft cotton cloth and warm water, then towel dry.
- b) Do not use cleaners that contain abrasives or harsh chemicals; Care should be taken in selecting cleaning supplies. Many cleaners contain detergents, ammonia, or other corrosive solvents that could damage your faucet finish.
- c) occasionally clean with a non-abrasive wax polish.

Tel: (800)-444-5969

www.cheviotproducts.com