

ACCESSORIES AND PARTS

EQ-A11A-KJKABBN



a Geberit company

Product Type

EQ Electronic Spout Assembly Curved Style

Features & Specifications

- Single Supply for Pre-Mixed Water Service
- Single Hole Lavatory Sink applications
- Combine with optional EQ Cover Plate Assemblies (sold separately)
- "On Demand" IR detection for hands-free actuation and maximum water savings
- 20 seconds standard maximum run time; drops to 10 seconds in high use environments for additional water savings
- 0.50 GPM (1.9 L/min) Pressure Compensating Econo-Flo Non-Aerating Spray Outlet
- 0.17 GPC (0.6 LPC) maximum consumption per cycle
- Operating static pressure: 20-125 PSI (138-862 kPa)
- Mixed water temperature range: up to 180°F (82°C)
- Combine with EQ Control box assemblies (sold separately)
- Includes spout, stainless steel braided waterway, electronics module with cable and waterproof connector, outlet, and mounting hardware
- Installation should be in accordance with local plumbing codes.
- One-piece cast brass spout body
- ECAST® design provides durable construction with total lead content equal to or less than 0.25% by weighted average
- CFNow! Item Ships in 3 Days

Warranty

- 5-Year Limited Faucet Warranty
- 1-Year Limited Finish Warranty
- 5-Year Limited Mechanical Warranty
- 3-Year Limited Electronics and Solenoid Warranty
- 5-Year Manufacturing Material Defects Warranty

Codes & Standards

- Certified to NSF/ANSI 61, Section 9 by CSA
- California Health and Safety Code 116875 (AB1953-2006)
- Vermont Bill S.152
- NSF/ANSI 372 Low Lead Content
- ADA ANSI/ICC A117.1
- CALGreen

Job Name _____

Item Number _____

Section/Tag _____

Model Specified _____

Architect _____

Engineer _____

Contractor _____

Submitted as Shown Submitted with Variations

Date _____



ECAST

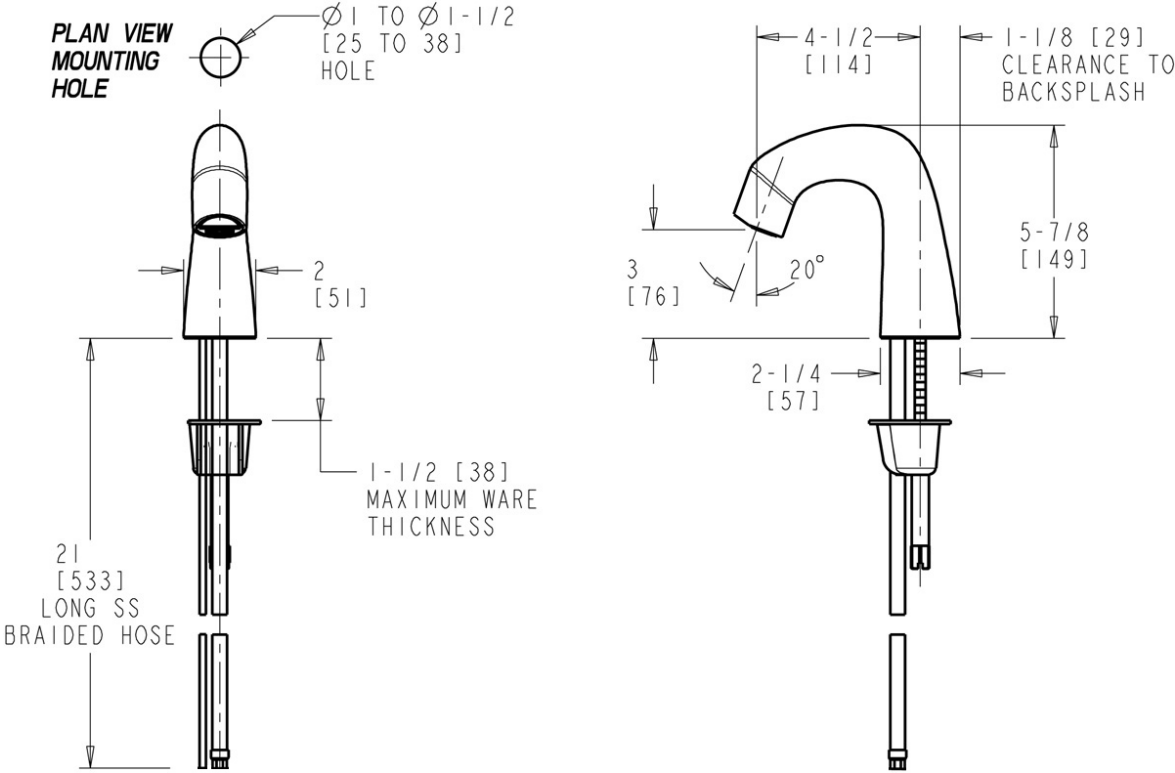
ECAST products are intended for installation where state laws and local codes mandate lead content levels or in any location where lead content is a concern.



2100 South Clearwater Drive
Des Plaines, IL
P: 847/803-5000
F: 847/803-5454
Technical: 800/TEC-TRUE
www.chicagofaucets.com

Architect/Engineer Specification

Chicago Faucets No. EQ-A11A-KJKABBN, EQ Curved Electronic Spout Assembly, PVD brushed nickel plated. Single-supply for pre-mixed water service. Single-hole lavatory sink applications. Combine with optional EQ cover plate assemblies (sold separately). On Demand IR detection for hands-free actuation and maximum water savings. 20 seconds standard maximum run time; drops to 10 seconds in high use environments for additional water savings. 0.50 GPM (1.9 L/min) Pressure-compensating Econo-Flo non-aerating spray outlet. 0.17 GPC (0.6 LPC) maximum consumption per cycle. Operating static pressure: 20-125 PSI (138-862 kPa). Mixed water temperature range: up to 180°F (82°C). Combine with EQ Control box assemblies (sold separately). Includes spout, stainless steel braided waterway, electronics module with cable and waterproof connector, outlet, and mounting hardware. Installation should be in accordance with local plumbing codes. One-piece cast brass spout body. ECAST® construction with less than 0.25% lead content by weighted average. CALGreen Compliant.



Operation and Maintenance

Installation should be in accordance with local plumbing codes. Flush all pipes thoroughly before installation. After installation, remove spout outlet or flow control and flush faucet thoroughly to clear any debris. Care should be taken when cleaning the product. Do not use abrasive cleaners, chemicals or solvents as they can result in surface damage. Use mild soap and warm water for cleaning and protecting the life of Chicago Faucet products. For specific operation and maintenance refer to the installation instructions and repair parts documents that are located at www.chicagofaucets.com.

Chicago Faucets, member of the Geberit Group, is the leading brand of commercial faucets and fittings in the United States, offering a complete range of products for schools, laboratories, hospitals, office buildings, food service, airports and sport facilities. Call 1.800.TECTRUE or 1.847.803.5000 Option 1 for installation or other technical assistance.



2100 South Clearwater Drive
Des Plaines, IL
P: 847/803-5000
F: 847/803-5454
Technical: 800/TEC-TRUE
www.chicagofaucets.com