

8421-NF

Safety Fittings

Product Type

Wall Mounted Drench Shower Concealed Safety Drench Shower with Stainless Steel Pull Rod

Features & Specifications

- Drench Shower
- 1" NPT Female Thread Inlet
- Anti-corrosive polyamide 11 plastic coating in high-visibility yellow color
- Horizontal Wall Mounted
- Brass Fittings with Galvanized Pipe Construction
- Pull Rod for activation
- Shower head in Stainless Steel
- High-visibility photoluminescence safety sign with green background and white text for easy identification
- Maintenance card for recording periodic testing
- Certified to the ANSI Z358.1 Standard for Emergency Eyewash and Shower Equipment

Warranty

- 1-Year Limited Finish Warranty
- 1-Year Manufacturing Material Defects Warranty

Job Name _____

Item Number _____

Section/Tag _____

Model Specified _____

Architect _____

Engineer _____

Contractor _____

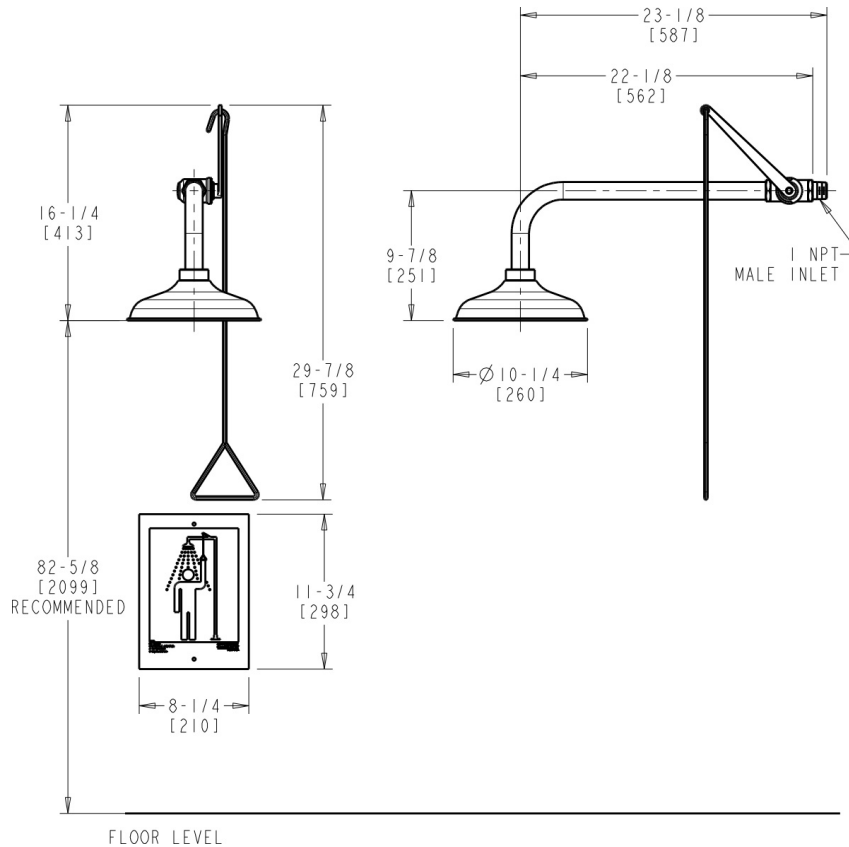
Submitted as Shown Submitted with Variations

Date _____



Architect/Engineer Specification

Chicago Faucets No. 8421-NF, Safety Drench Shower, 1" NPT Male Thread Inlet, Anti-corrosive polyamide 11 plastic coating in high-visibility yellow color, Horizontal Wall Mounted, Brass Fittings with Galvanized Pipe Construction, Pull Rod for activation, Shower head in Stainless Steel, High-visibility photoluminescence safety sign with green background and white text for easy identification, Maintenance card for recording periodic testing and Certified to the ANSI Z358.1 Standard for Emergency Eyewash and Shower Equipment.



Operation and Maintenance

Installation should be in accordance with local plumbing codes. Flush all pipes thoroughly before installation. After installation, remove spout outlet or flow control and flush faucet thoroughly to clear any debris. Care should be taken when cleaning the product. Do not use abrasive cleaners, chemicals or solvents as they can result in surface damage. Use mild soap and warm water for cleaning and protecting the life of Chicago Faucet products. For specific operation and maintenance refer to the installation instructions and repair parts documents that are located at www.chicagofaucets.com.

Chicago Faucets, member of the Geberit Group, is the leading brand of commercial faucets and fittings in the United States, offering a complete range of products for schools, laboratories, hospitals, office buildings, food service, airports and sport facilities. Call 1.800.TECTRUE or 1.847.803.5000 Option 1 for installation or other technical assistance.

