

# MECHANICAL FAUCETS

## 8407-NF

### Safety Fittings



#### Product Type

Deck Mounted Eye/Face Wash Deck Mounted Single Outlet  
Eye/Face/Body Drench Hose

#### Features & Specifications

- Eye/Face Wash
- 1/2" NPT Male Thread Inlet
- Anti-corrosive polyamide 11 plastic coating in high-visibility yellow color
- Eyewash assembly in ABS plastic
- High-flow aerated water spray at low pressure with automatic opening anti-dust cover
- Lever Handle for Actuation
- 59" Flexible hose in stainless steel
- Brass fittings Construction
- High-visibility photoluminescence safety sign with green background and white text for easy identification
- Maintenance card for recording periodic testing
- Deck Mounted
- Certified to the ANSI Z358.1 Standard for Emergency Eyewash and Shower Equipment

#### Warranty

- 1-Year Limited Finish Warranty
- 1-Year Manufacturing Material Defects Warranty

Job Name \_\_\_\_\_

Item Number \_\_\_\_\_

Section/Tag \_\_\_\_\_

Model Specified \_\_\_\_\_

Architect \_\_\_\_\_

Engineer \_\_\_\_\_

Contractor \_\_\_\_\_

Submitted as Shown       Submitted with Variations

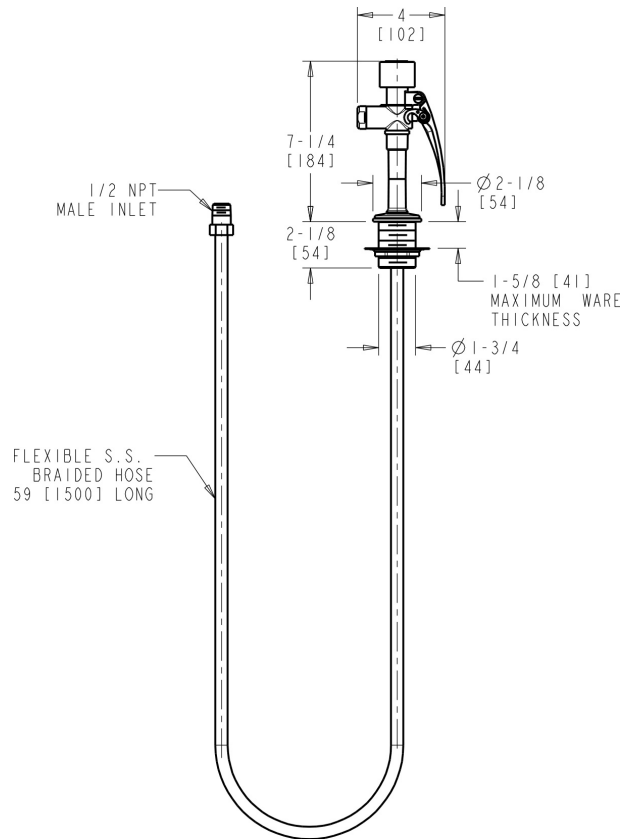
Date \_\_\_\_\_



2100 South Clearwater Drive  
Des Plaines, IL  
P: 847/803-5000  
F: 847/803-5454  
Technical: 800/TEC-TRUE  
www.chicagofaucets.com

### Architect/Engineer Specification

Chicago Faucets No. 8407-NF, Eye/Face/Body Drench Hose, 1/2" NPT Male Thread Inlet, Anti-corrosive polyamide 11 plastic coating in high-visibility yellow color, Eyewash assembly in ABS plastic, High-flow aerated water spray at low pressure with automatic opening anti-dust cover, Deck Mounted, Flexible hose in stainless steel and Brass fittings Construction, Lever Handle for activation, High-visibility photoluminescence safety sign with green background and white text for easy identification, Maintenance card for recording periodic testing and Certified to the ANSI Z358.1 Standard for Emergency Eyewash and Shower Equipment.



### Operation and Maintenance

Installation should be in accordance with local plumbing codes. Flush all pipes thoroughly before installation. After installation, remove spout outlet or flow control and flush faucet thoroughly to clear any debris. Care should be taken when cleaning the product. Do not use abrasive cleaners, chemicals or solvents as they can result in surface damage. Use mild soap and warm water for cleaning and protecting the life of Chicago Faucet products. For specific operation and maintenance refer to the installation instructions and repair parts documents that are located at [www.chicagofaucets.com](http://www.chicagofaucets.com).

Chicago Faucets, member of the Geberit Group, is the leading brand of commercial faucets and fittings in the United States, offering a complete range of products for schools, laboratories, hospitals, office buildings, food service, airports and sport facilities. Call 1.800.TECTRUE or 1.847.803.5000 Option 1 for installation or other technical assistance.

