

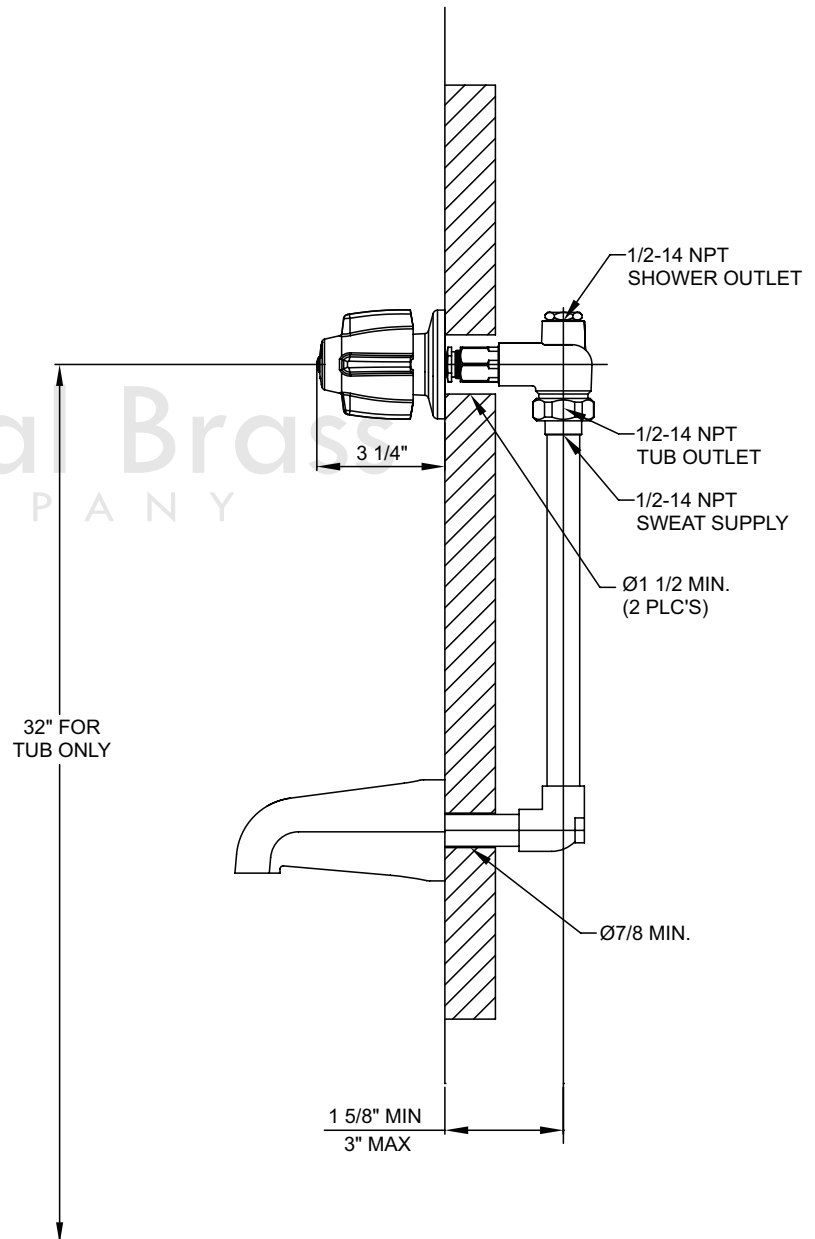
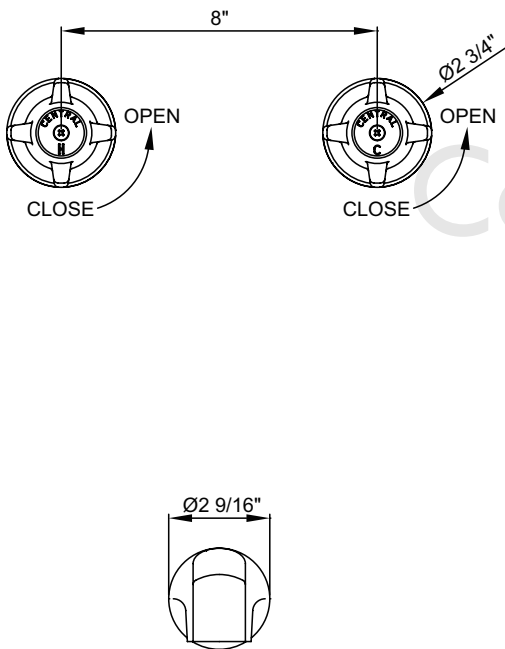


Two Handle Tub Set

- 1/2" IP or Copper Sweat Union Inlets
- 8" Centers
- 1/2" IPS & Slip-on Combo Tub Spout
- Built-in Transfer Valve, Brass Plug Included

Code and Standards

*For other finishes and flow rates offered, please visit our website, email an inquiry to sales@pioneerind.com or contact our sales at 800-338-9468



FLOOR