

Central Brass COMPANY

SPECIFICATION SHEET

Date: _____

SINGLE LEVER SHAMPOO FAUCET



Model #: _____
Specific Features: _____
Project Name: _____
Submitted For: _____
Date: _____

- Single Lever Shampoo Faucet
- Lever Handle
- Back-flow Preventers Included
- Ceramic Disc Cartridge W/Temperature Limit Stop
- 2-Hole 4" to 18" Installation
- Pull-out Dual Pattern Sprayhead

1130 SHOWN

ADA

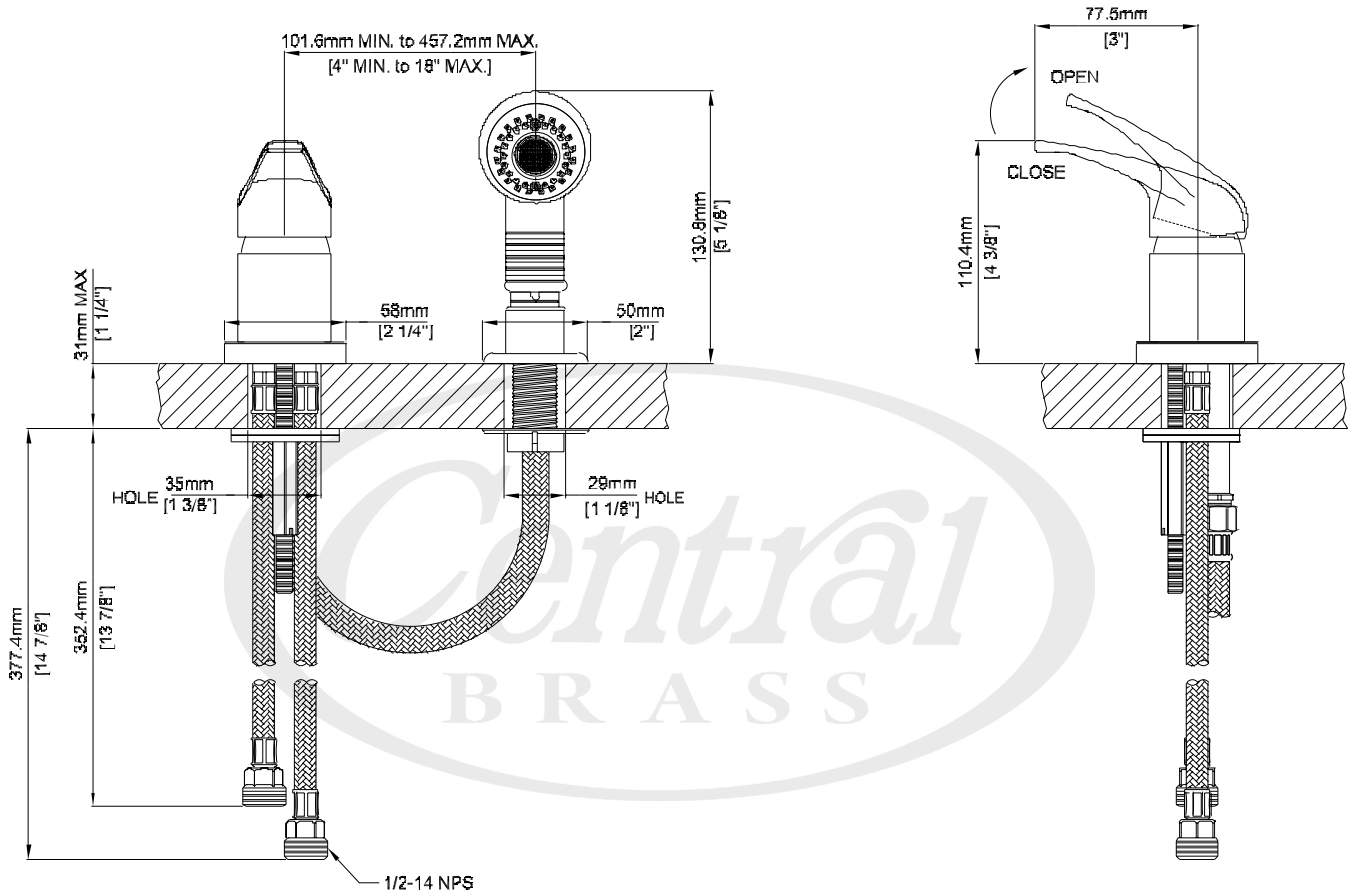


Model #	Features	Finish
1130*		PVD PC

* Aerator limited to 2.0 GPM Flow Rate

Central Brass products are engineered and manufactured to meet the following standards and codes:

- ASME A112.18.1M
- ANSI A117.1
- IAPMO LISTED



Brecksville, OH
www.centralbrass.com
 Central Brass Company © 2011