

Model# 0660

Waste Drain Valve

FEATURES & SPECIFICATIONS

- Twist Handle
- 2" Drain, Optional adapter available for 1-1/2" Drain
- Rough Chrome Plated Body
- Twist handle with heat resistant plastic grip
- 3-1/2" Snap-in removable Strainer
- Overflow Outlet & Cap

FINISHES

- PC Polished Chrome

STANDARDS

- ASME A112.18.1



WARRANTY

- Lifetime Limited Warranty
- Lifetime Residential Warranty
- 5 Year Commercial Warranty

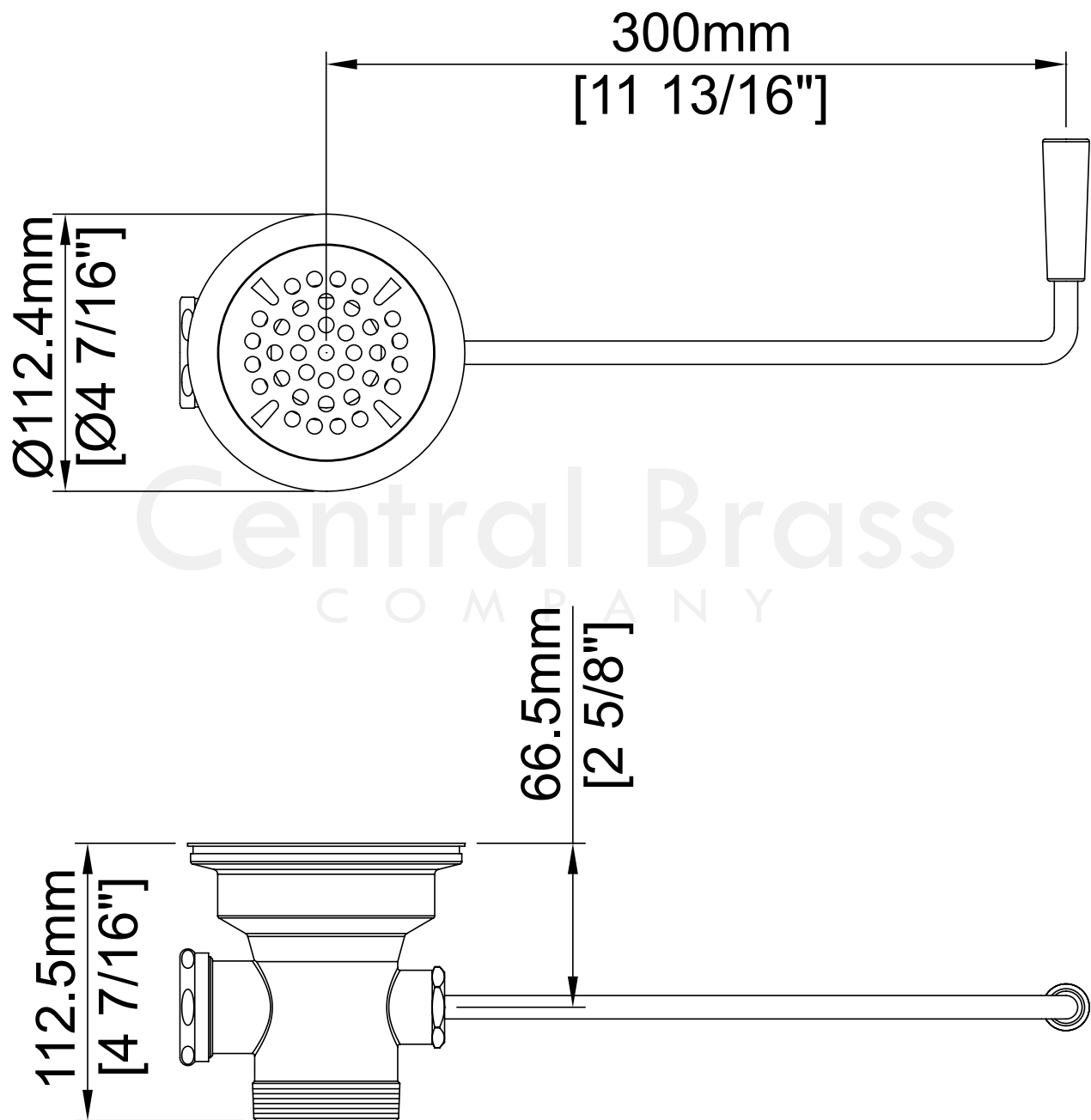
0660/REV. 11 2016

Product Specifications subject to change without notice

Job Name _____ Date _____
Model Specified _____ QTY _____
Customer/Wholesaler _____
Contractor _____
Architect/Engineer _____
Submitted as Shown _____
Submitted w/ Variations _____

Model# 0660

Waste Drain Valve



0660/REV. 11 2016

Product Specifications subject to change without notice