

Model# 0355-AN2P

Slow-Close Single Handle Basin Faucet

FEATURES & SPECIFICATIONS

- Push Handle
- 1/2-14 NPS Male Inlet x 2-1/4" Long
- 1-Hole Installation

FINISHES

- PC Polished Chrome

STANDARDS

- ASME A112.18.1
- ANSI / NSF 61, SECTION 9
- CUPC / IAPMO LISTED
- ANSI A117.1 / ADA COMPLIANT
- CONTAINS NO MORE THAN 0.25% WEIGHTED AVERAGE LEAD CONTENT



FLOW

- 1.2 GPM Flow Rate Aerator
- Adjustable Run Time from 2 Seconds to 35 Seconds, 0.70 Max Gallon/Cycle

WARRANTY

- Lifetime Limited Warranty
- Lifetime Residential Warranty
- 5 Year Commercial Warranty

Job Name _____ Date _____

Model Specified _____ QTY _____

Customer/Wholesaler _____

Contractor _____

Architect/Engineer _____

Submitted as Shown _____

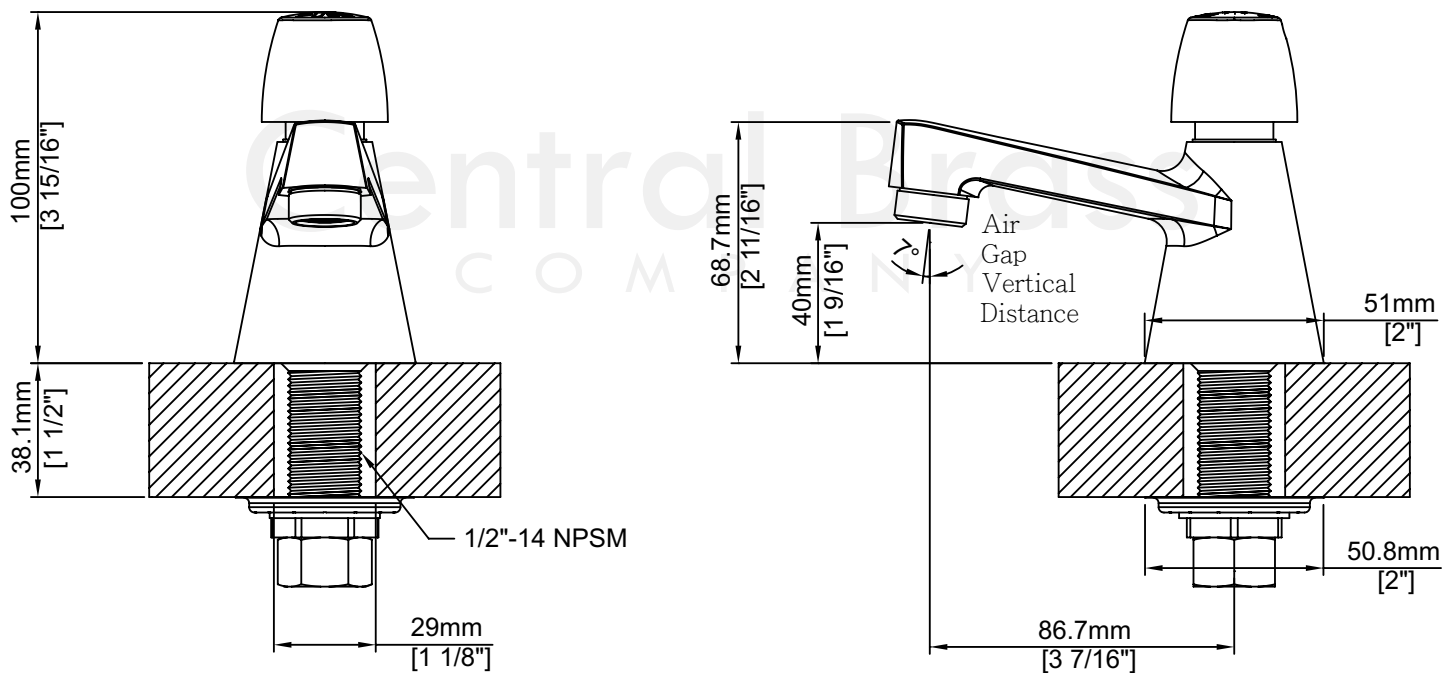
Submitted w/ Variations _____

0355-AN2P/REV. 03 2018

Product Specifications subject to change without notice

Model# 0355-AN2P

Slow-Close Single Handle Basin Faucet



0355-AN2P/REV. 03 2018

Product Specifications subject to change without notice