

## Model# 0342-1/2

---

### Stand Pipe

#### FEATURES & SPECIFICATIONS

- 1/2-14 NPT Male Thread
- Nut & Flange

#### FINISHES

- PC Polished Chrome

#### STANDARDS

- ASME A112.18.1



#### WARRANTY

- Lifetime Limited Warranty
- Lifetime Residential Warranty
- 5 Year Commercial Warranty

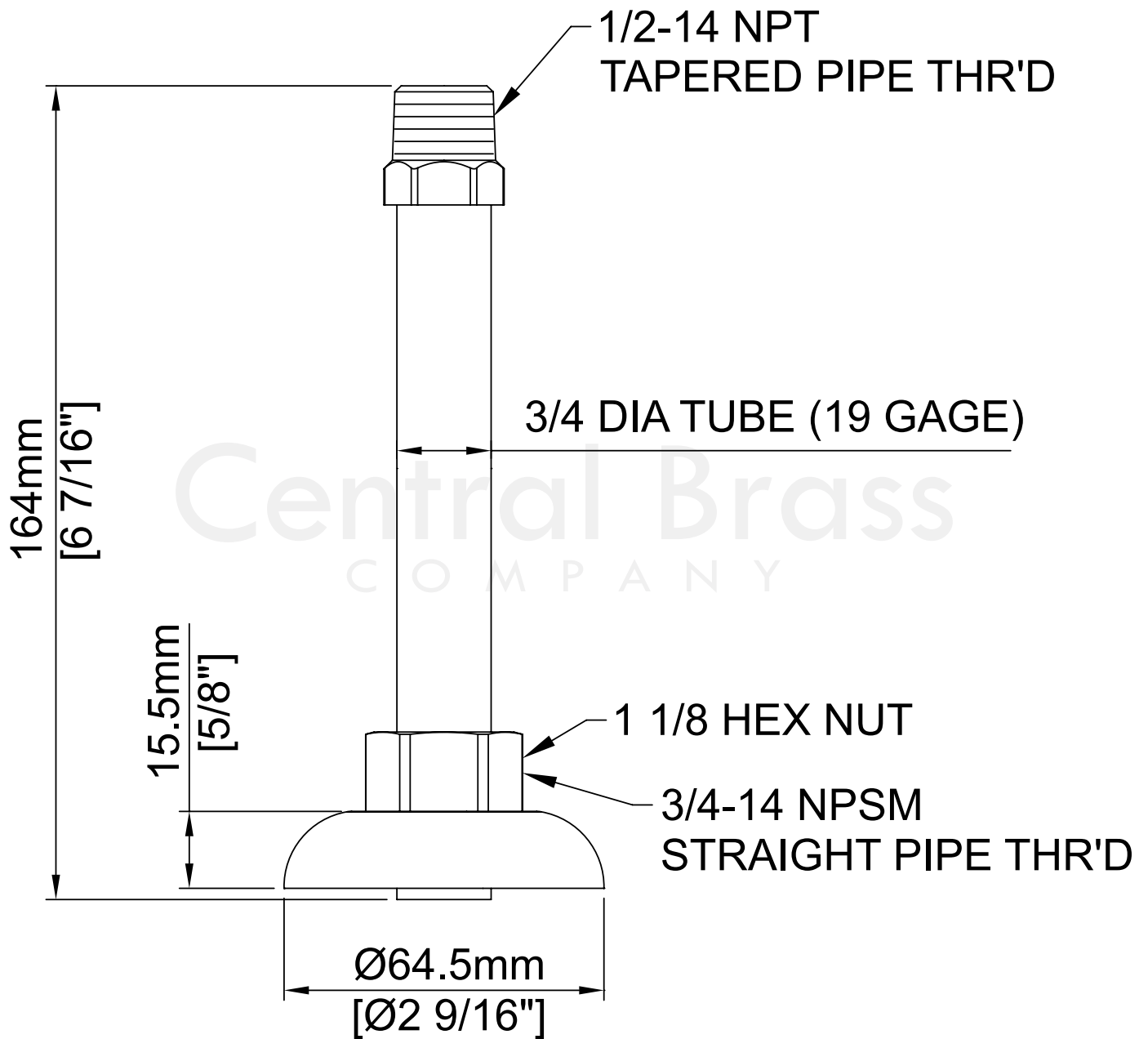
0342-1/2/REV. 11 2016

Product Specifications subject to change without notice

Job Name \_\_\_\_\_ Date \_\_\_\_\_  
Model Specified \_\_\_\_\_ QTY \_\_\_\_\_  
Customer/Wholesaler \_\_\_\_\_  
Contractor \_\_\_\_\_  
Architect/Engineer \_\_\_\_\_  
Submitted as Shown \_\_\_\_\_  
Submitted w/ Variations \_\_\_\_\_

## Model# 0342-1/2

### Stand Pipe



0342-1/2/REV. 11 2016

Product Specifications subject to change without notice