

Model# 0054-ULE-QI

Two Handle Wallmount Service Sink Faucet

FEATURES & SPECIFICATIONS

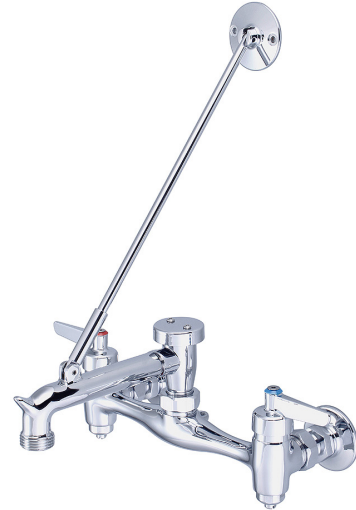
- 2-3/8" Lever Handle
- 5-3/4" Rigid Spout With Pail Hook And Top Brace to Wall With Flange, Hose Thread
- 1/2-14 NPS Female Thread
- Quick-Presson Quarter-Turn Stems, Replaceable Seats, Built-in Stops
- 2-Hole 7-7/8" to 8-1/8" Installation
- Vacuum Breaker

FINISHES

- PC Polished Chrome

STANDARDS

- ASME A112.18.1
- ANSI A117.1 / ADA COMPLIANT



WARRANTY

- Lifetime Limited Warranty
- Lifetime Residential Warranty
- 5 Year Commercial Warranty

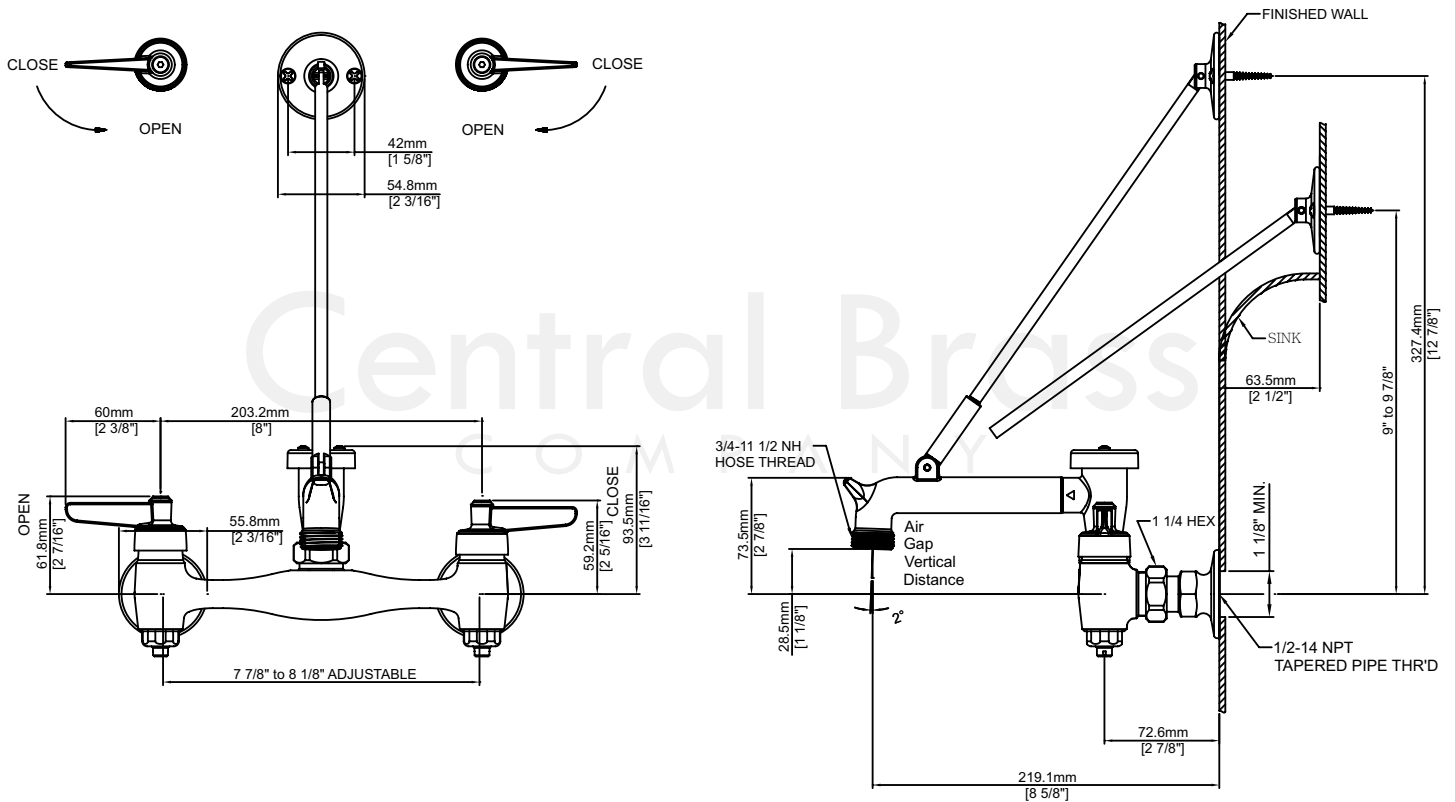
0054-ULE-QI/REV. 11 2016

Product Specifications subject to change without notice

Job Name _____ Date _____
Model Specified _____ QTY _____
Customer/Wholesaler _____
Contractor _____
Architect/Engineer _____
Submitted as Shown _____
Submitted w/ Variations _____

Model# 0054-ULE-QI

Two Handle Wallmount Service Sink Faucet



0054-ULE-QI/REV. 11 2016

Product Specifications subject to change without notice