

Central Brass Company, Inc.
3325 S. Garfield Ave.
Commerce, CA 90040
(800) 321-8630
www.centralbrass.com

Tools:



Adjustable Wrench



Power Drill



Teflon Tape



Rags

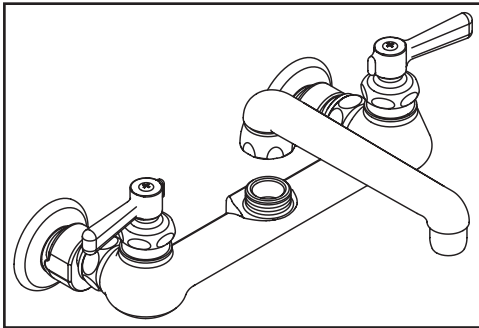
Model Number: 0640, 0642-LE

Warnings and Notes:

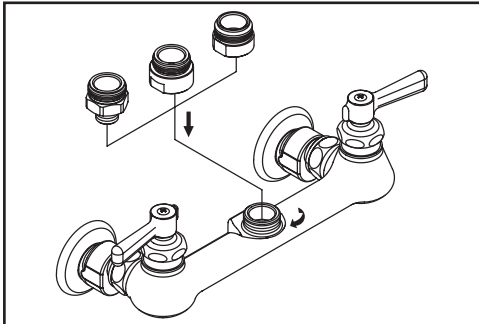
Check with local plumbing code requirements before installation.
This product should be installed by a local listed plumber.
Do not use plumbers putty on threads.

Installation Steps:

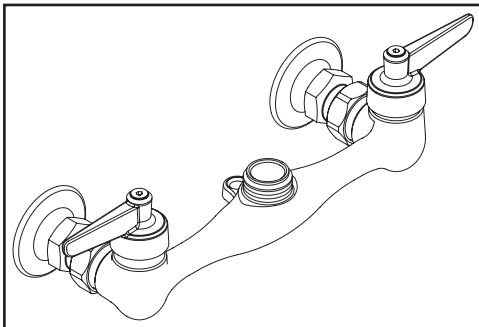
Rigid Pre-Rinse Unit



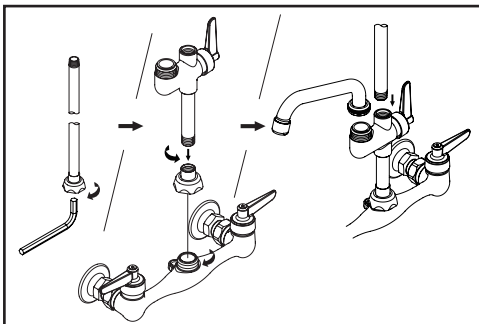
(1a) For existing faucet which is not Central Brass to change to pre-rinse faucet installation: Remove spout from existing faucet.



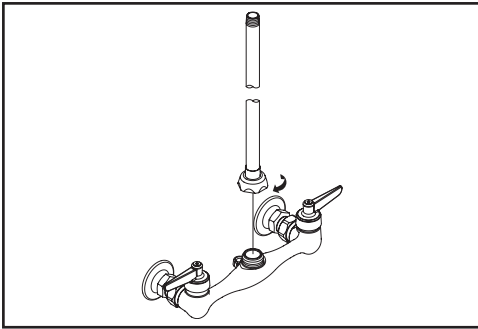
(1b) Choose the proper adapter supplied and attach to faucet body.



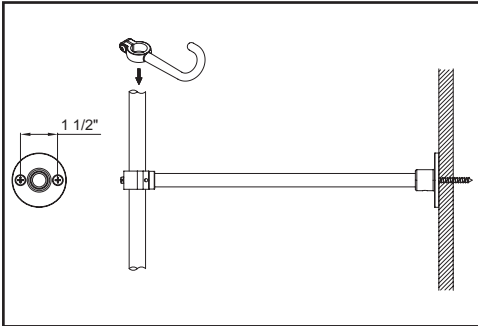
(2) For new faucet installation: Please refer to the installation instruction which comes with the faucet you want to install.



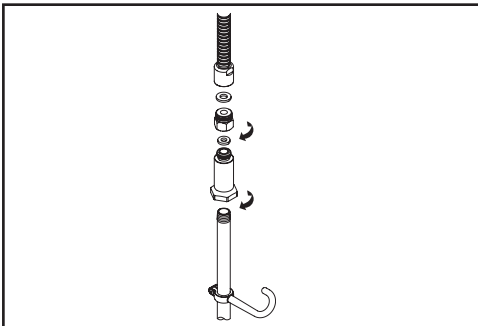
(3) If there is no add-on faucet, please go to step (4). Remove body adapter from 18" riser with Allen wrench supplied with add-on faucet and attach body adapter to inlet of add-on faucet with Allen wrench. Attach add-on faucet to faucet body by tightening body adapter with wrench then attach spout to add-on faucet. Apply Teflon tape to both thread ends of 18" riser then thread 18" riser to add-on faucet, go to step (5).



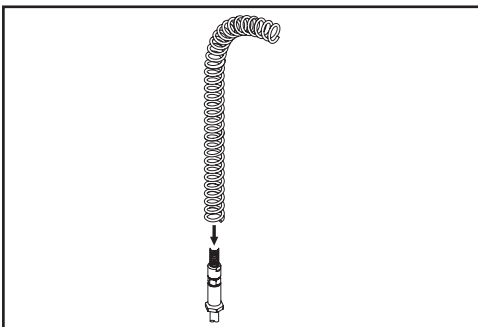
(4) Attach 18" riser to faucet body by tightening body adapter with wrench.



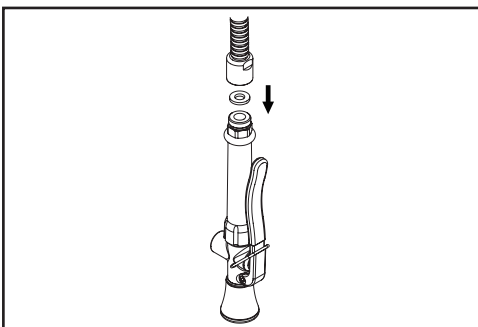
(5) Install 12" adjustable wall bracket and cut the excess support arm to fit in proper distance from wall to 18" riser. Attach finger hook & screw, adjust to proper position.



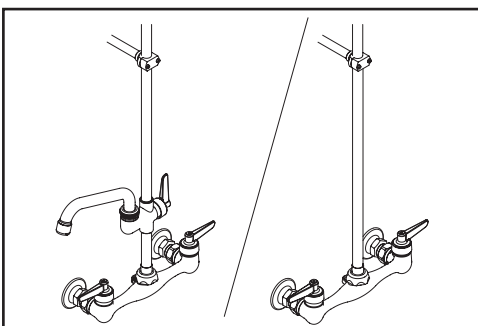
(6) Attach spring body to 18" riser with wrench, make sure hose adapter washer is seated properly inside the hose adapter and tighten hose adapter to spring body with wrench. Make sure hose washer is inside 44" hose connection end, tighten 44" hose to hose adapter with wrench.



(7) Slide 44" hose into overhead spring.

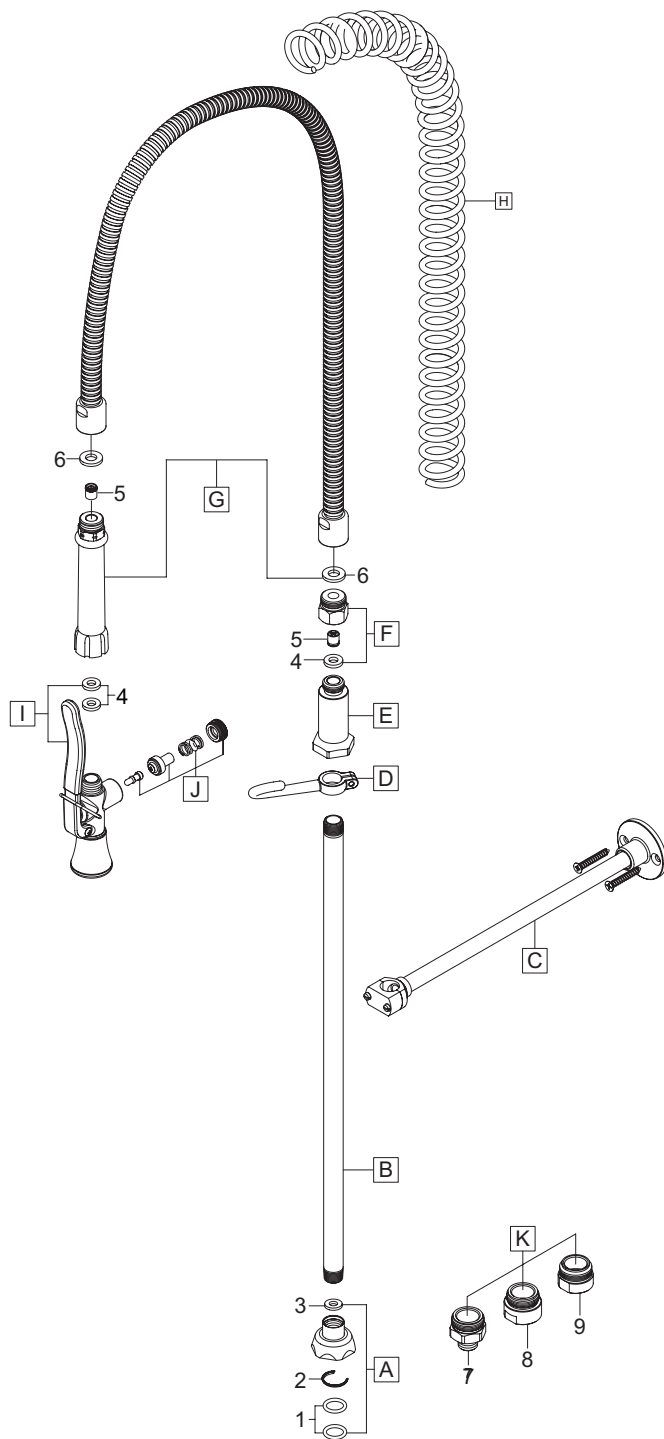


(8) Make sure hose washer is inside 44" hose connection end and tighten spray valve to 44" hose with wrench.



(9) Turn on water and check any leak on all connections.

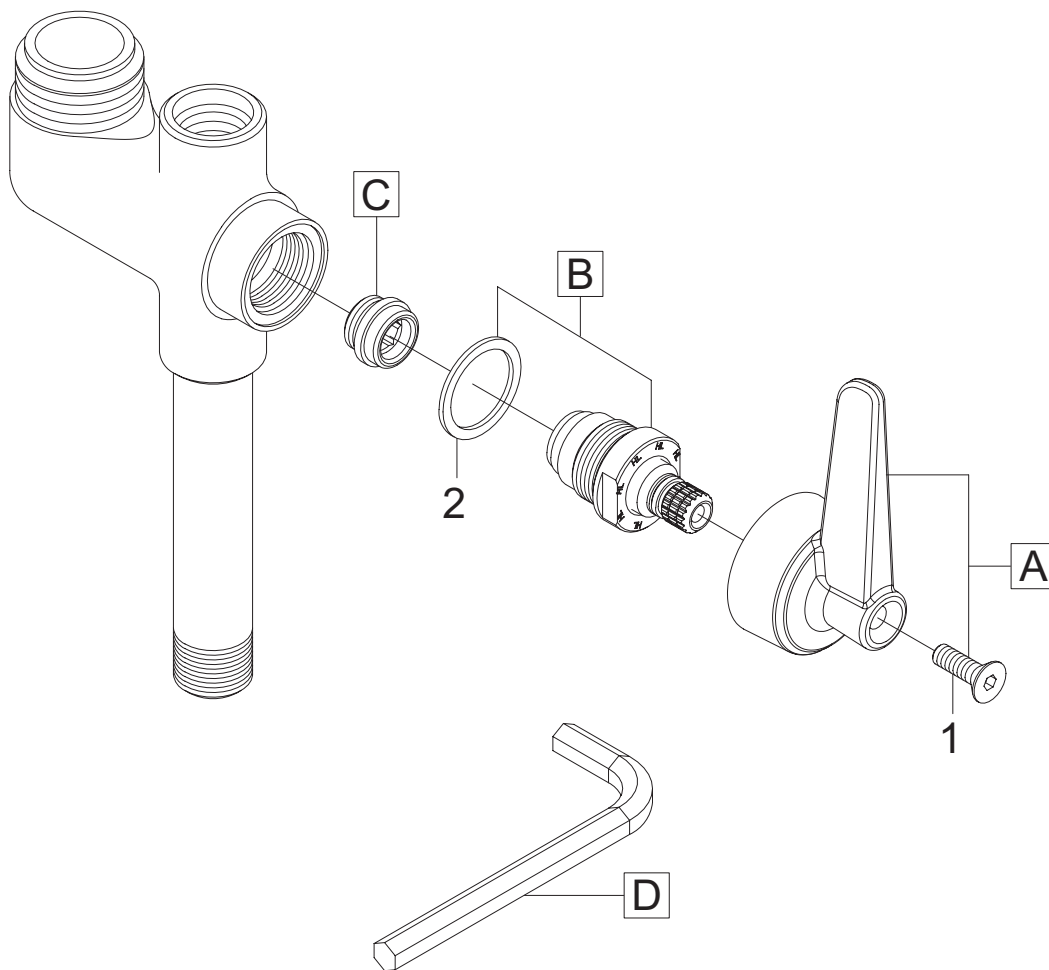
Exploded Drawing (0640):



| | ITEM # | DESCRIPTION |
|---|-----------|----------------------------------|
| A | CS-42020 | Body adapter |
| B | CS-42019 | 18" Riser |
| C | CS-42018 | 12" Adjustable Wall Bracket |
| D | CS-42017 | Finger hook & screw |
| E | CS-42016 | Spring Body |
| F | CS-42015 | Hose adapter |
| G | CS-42013 | 44" Hose and Handle Assembly |
| H | CS-42014 | Overhead Spring |
| I | CS-42006 | 1.10 GPM Spray Valve |
| J | CS-42010 | Spray Repair Kit |
| K | CS-42028 | Adapter Package |
| 1 | X1038-KN | O-ring (25 pcs/pk) |
| 2 | XCS-42021 | Friction Brass Washer (6 pcs/pk) |
| 3 | XCS-42022 | Body adapter Washer (10 pcs/pk) |
| 4 | XCS-42023 | Hose adapter Washer (10 pcs/pk) |
| 5 | XCS-47001 | 10 mm Check Valve (5 pcs/pk) |
| 6 | XCS-42025 | Hose Washer (10 pcs/pk) |
| 7 | CS-42007 | Adapter For Fisher |
| 8 | CS-42008 | Adapter For Chicago Faucets |
| 9 | CS-42009 | Adapter For T&S |

Exploded Drawing (0642-LE):

| | ITEM # | DESCRIPTION |
|---|-----------|--|
| A | CS-19007P | Lever Handle-Plain |
| B | G-454-ER | Hot O-Ring Stem Assembly with Gasket (X1028-Y) |
| C | X263-BC | Replacement Seat (10 pcs/pk) |
| D | CS-42026 | 1/4" Allen Wrench |
| 1 | XCS-49033 | 1/8" Handle Screw (10 pcs/pk) |
| 2 | X1028-Y | Gasket (25 pcs/pk) |



Central Brass
C O M P A N Y, Inc.

For more care information or trouble shooting inquiries
about your Central Brass product, please call:
Central Brass Company, Inc. (800) 321-8630
Monday-Friday 8 AM to 8 PM EST (5 AM to 5 PM PST)
www.centralbrass.com