

Central Brass Company, Inc.
3325 S. Garfield Ave.
Commerce, CA 90040
(800) 321-8630
www.centralbrass.com

Tools:



Socket



Plumbers Putty



Teflon Tape



Rags

Model Number: 0360, 0361, 0362

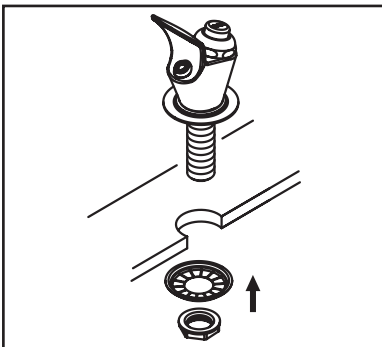
Warnings and Notes:

Check with local plumbing code requirements before installation.
This product should be installed by a local listed plumber.
Do not use plumbers putty on threads.

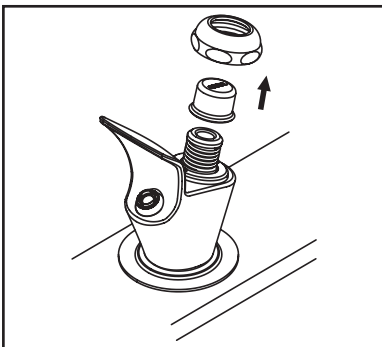


Installation Steps:

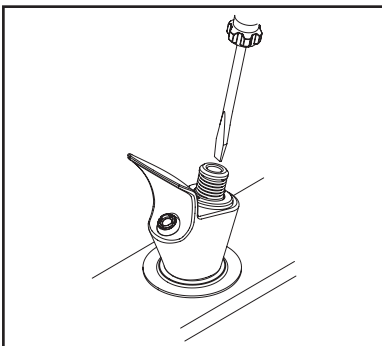
Drinking Faucet



(1) Apply adequate plumbers putty on the bottom of the flange. Place faucet shank through the mounting hole. Slide the crowfoot washer through the shank from underneath of the shank. Tighten the locknut to secure the faucet with the help of a 1-3/32" socket. Connect water supply line to the faucet shank, turn on water supply to check for leaks.



(2) If water flow needs to be changed. Remove cap nut and cap button.



(3) Use flat head screwdriver to adjust regulator slot, clockwise turn to increase water flow, counter-clockwise turn to decrease water flow, depress spring to test water flow after each turn of regulator slot. Replace cap button and cap nut when adjustment was done.

Central Brass

COMPANY, Inc.

For more care information or trouble shooting inquiries about your Central Brass product, please call:
Central Brass Company, Inc. (800) 321-8630
Monday-Friday 8 AM to 8 PM EST (5 AM to 5 PM PST)
www.centralbrass.com